

CONFIDENTIAL
 This document is the property of Evapco, Inc. It should not be copied or disclosed without prior written authorization.

EVAPCO, INC.

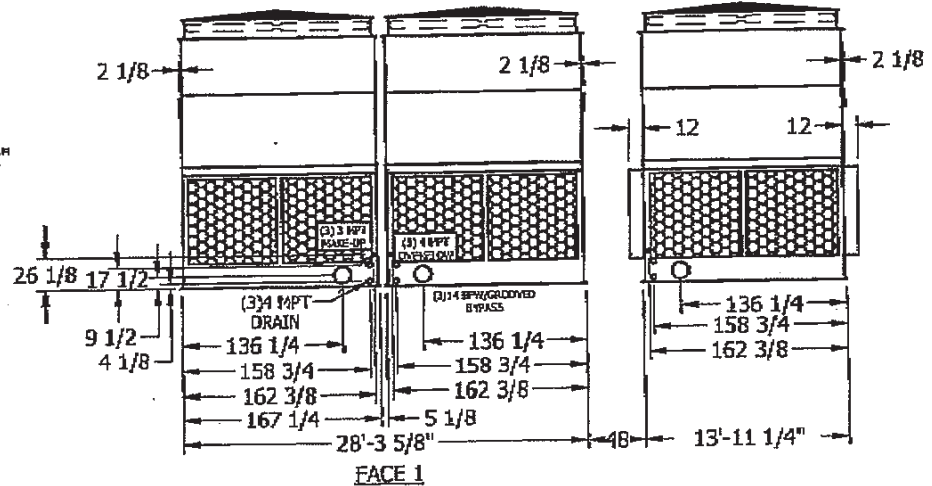
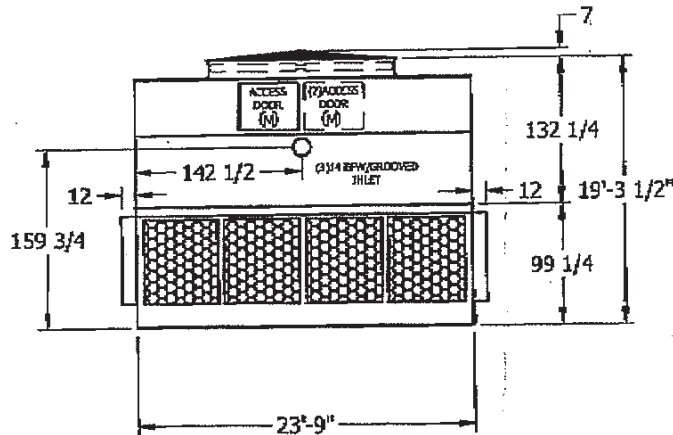
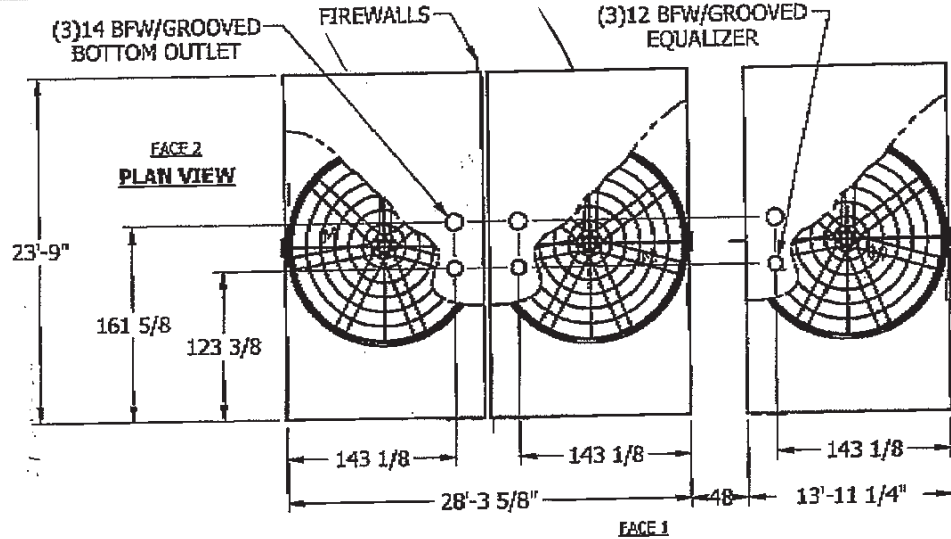


UNIT	COOLING TOWER	MODEL #	AT (1 1/2) 228-0324	SCALE	NTS	DWG. #	T2282448-ERB-21	REV.	1	DATE	1/13/04	SERIAL #	M035536-37
------	----------------------	---------	---------------------	-------	-----	--------	-----------------	------	---	------	---------	----------	------------

NOTES:

- (M) FAN MOTOR LOCATION
- HEAVIEST SECTION IS UPPER SECTION
- MPT DENOTES MALE PIPE THREAD
 FPT DENOTES FEMALE PIPE THREAD
 BFW DENOTES BEVELED FOR WELDING
- + UNIT WEIGHT DOES NOT INCLUDE ACCESSORIES (SEE SEPARATE DRAWINGS FOR ACCESSORIES)
- 3/4" DIA. MOUNTING HOLES. REFER TO RECOMMENDED STEEL SUPPORT DRAWING
- MAKE-UP WATER PRESSURE-20 psi MIN, 50 psi MAX
- FIREWALLS SHIP LOOSE FOR FIELD INSTALLATION.

REVISED
 1/22/04



SHIPPING WEIGHT	57660	lbs. +	OPERATING WEIGHT	105210	lbs.	HEAVIEST SECTION WEIGHT	13650	lbs.	NO. OF SHIPPING SECTIONS	6
-----------------	-------	--------	------------------	--------	------	-------------------------	-------	------	--------------------------	---

22-Jan-2004 08:23am From:Evapco 4107562491 T-085 P.005/008 F-112