

NOTE:

PAINT 4" CHARACTERS, IN  
CONTRASTING COLOR AS NOTED:

AMERICAN HOECHST CORPORATION  
GUR - BATPORT  
ITEM NO. R 335  
EMPTY WEIGHT: 1,525 LBS

2 SEP 81

R350781

11-273290

221A AL/SS

American Nocthot

7-13-81

R904100

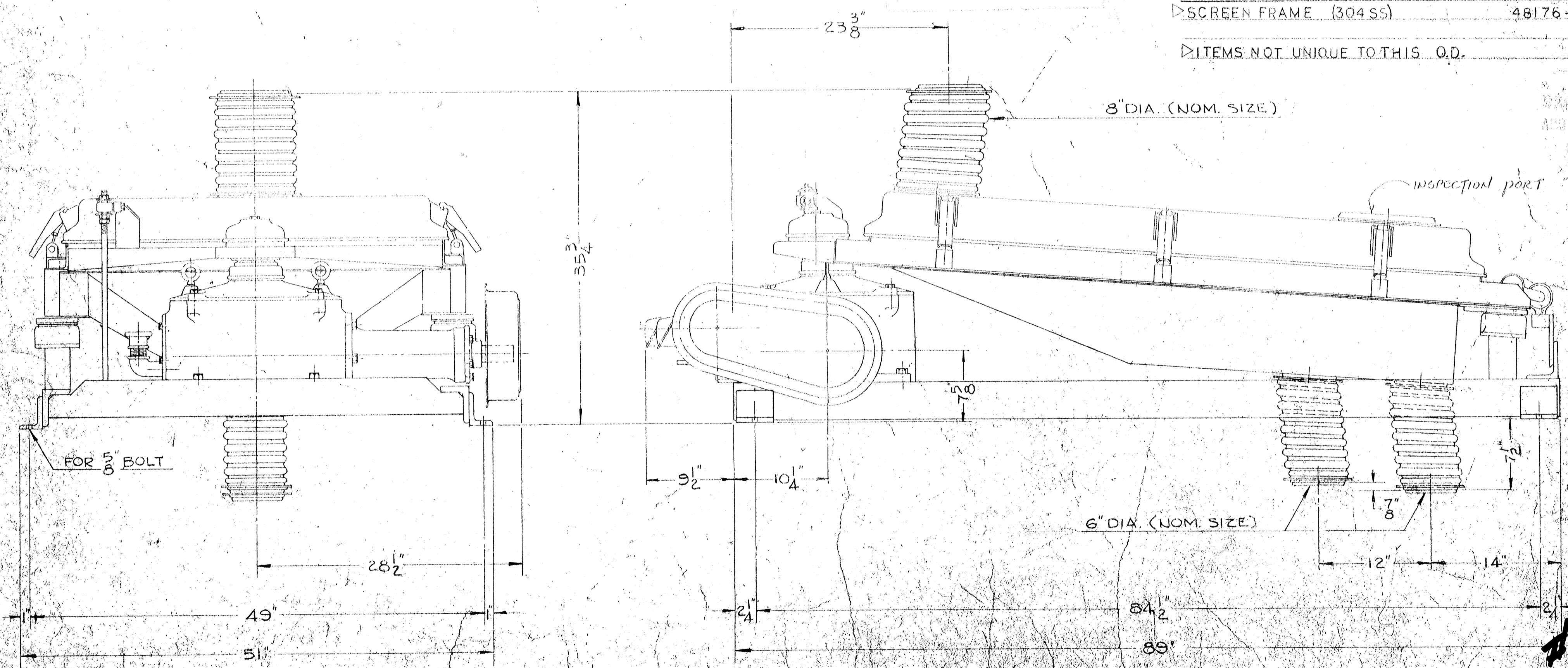
R335

CB

AMERICAN HOECHST CORPORATION  
REVISIONS

NO.	DATE	BY	DESCRIPTION
1	3 SEP 81	J. Smith	

DRIVE HEAD	24566-E
TOP COVER	24587-D
BOX FRAME	40276-D (a)
BOTTOM PAN	24588-D
BASE	24589-D
▷ SCREEN FRAME	17682-E
SLIDE BEARING ASS'Y	18652-C
BELT GUARD	24173-E
MOTOR BRACKET (FR. 145T)	24088-C
MOTOR BRACKET (FR. 184)	24591-C
CLAMP HANDLE ASS'Y. 6 REQD	67099-T (c)
(a) SCREEN BOX ASSY	40406-S
(1) DRAG LINK (H.E.)	8200-C
DRAG LINK (T.E.)	7700-C
CRANKPIN ASSY	24418-B (b)
INSPECTION CAP	7686-D
▷ SCREEN FRAME (304 SS)	48176-E (d)
▷ ITEMS NOT UNIQUE TO THIS O.D.	(e)



45-H-R 335 1 001

80558



5	(a) ADDED	DATE	7-3-81
4	(a) WAS 255-97/A1	FRD	11-14-80
3	(a) ADDED	FRD	8-2-79
2	(a) WAS 21345-B	FRD	1-2-79
1	(a) ADDED 24418-B	FRD	1-2-79
1	(a) WAS 25389-D	FRD	1-2-79
REV	DESCRIPTION	DATE	THE ORVILLE SIMPSON CO.
LINE DRAWING		DATE	1-9-68
ROTEX NO 221 TYPE A - AL/SS		SUP'D BY	2630
DR. KJP		CH.	

ADDED NUMBER REQD 1/24/69 HAW  
ADDED DRAG LINKS 12/10/68 L.S.