

DIMENSIONS - NASH VACUUM PUMP

SIZE 1/2" G - PULLEY DRIVE CAST BODY

REV.	WAS	LOC.	BY	F	L	R
A	3/4"	8-2	MS	G	M	S
B				H	N	T
C				I	O	U
D				J	P	V
E				K	Q	W

SCALE	DRAWN	DATE	CHK'D	DATE	REVISION NO.
1" = 3"	...	8-28-53	...	8-28-53	1

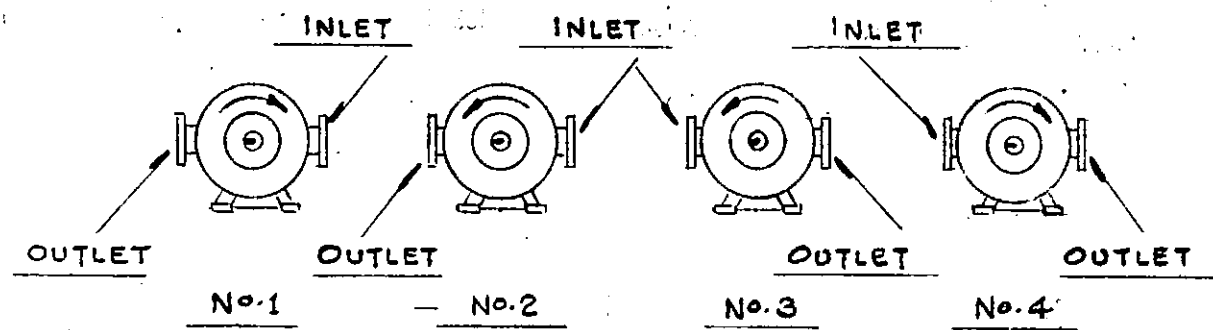
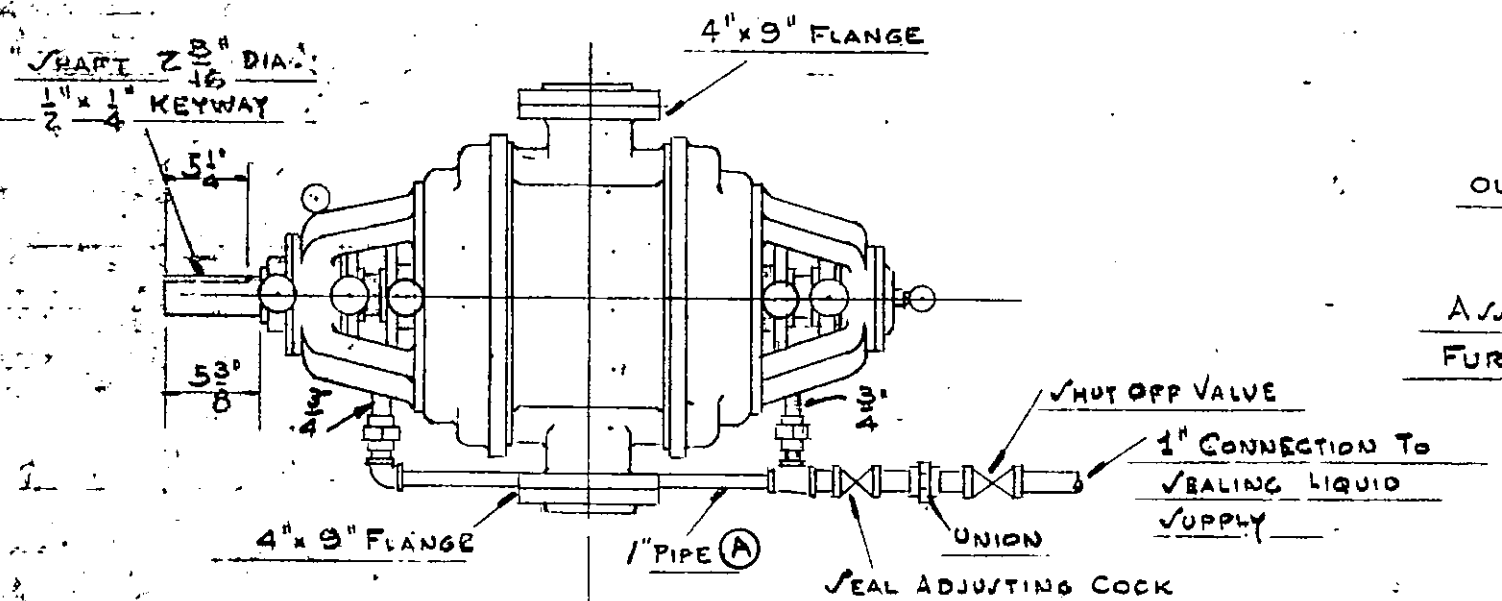
H-483

NASH ENGINEERING CO.
SO. NORWALK, CONN., U. S. A.

SUB

DO NOT SCALE. REFER ALL DIFFERENCES TO ENGR. DEPT. FINISHED FRACTIONAL DIMENSION MAY VARY ±

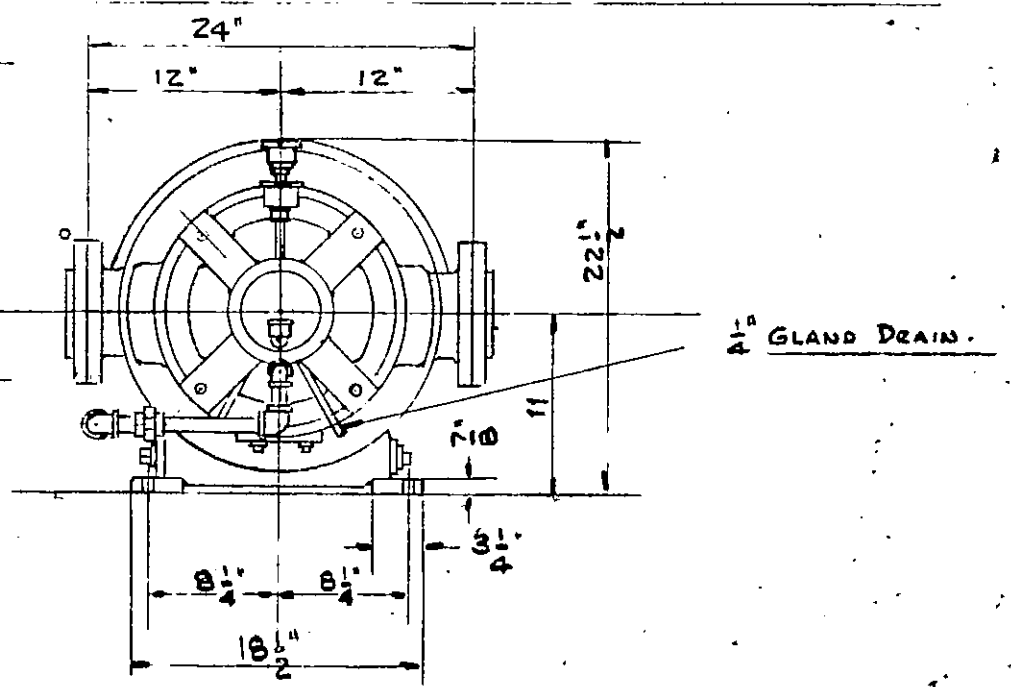
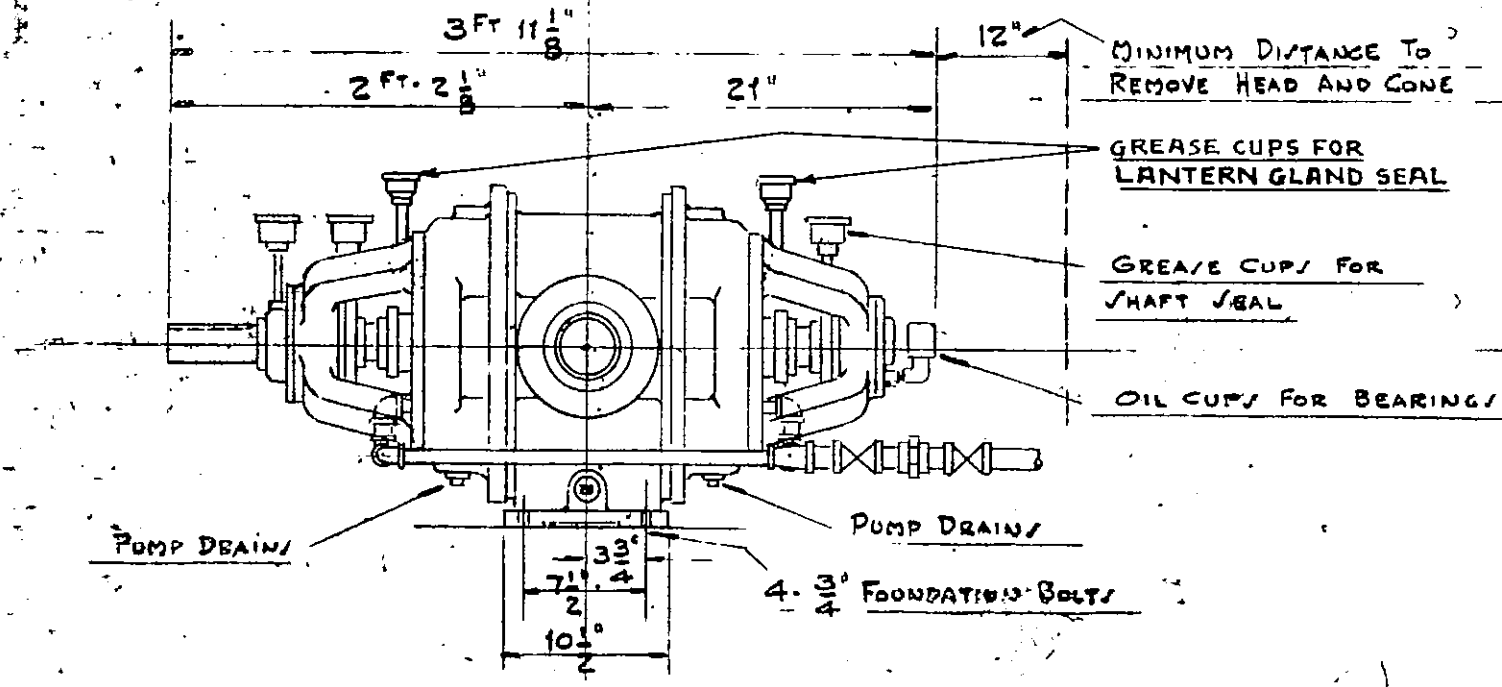
S.O.A-96855



ASSEMBLIES FACING DRIVE ENDS - ASSEMBLY NOS WILL BE FURNISHED UNLESS OTHERWISE SPECIFIED.

NOTE: DO NOT USE THIS DRAWING FOR INSTALLATION UNLESS CERTIFIED FOR YOUR ORDER.
SEAL ADJUSTING LOCK FURNISHED BY NASH ENGR. CO.

ALL OTHER PIPING, VALVES, FITTINGS AND FOUNDATION BOLTS NOT FURNISHED BY NASH ENGR. CO.



PUMP FLANGES - AMER. STD. 125-197. NOT FURNISHED

66976