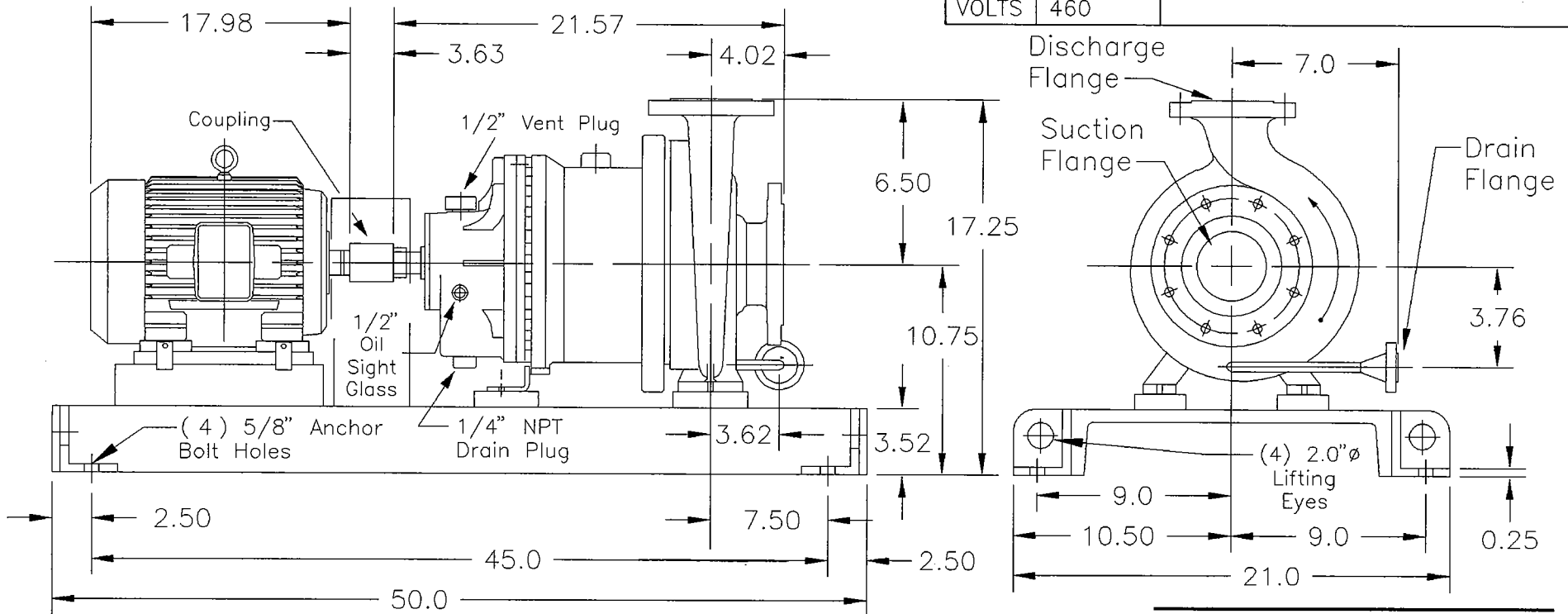




SERIAL NUMBER(S):
P00060320

PUMP DATA:		MOTOR DATA:		NOTES:
MODEL	SLM-AVO-1.5X1X6-09E03	MFG	TECO-	COUPLING: REXNORD OMEGA ES3R
SIZE	1.5 X 1 X 6		WESTINGHOUSE	
SUCT. FLG.	1.5", 150# RF	HP	7.5	PT-100 TEMPERATURE PROBE
DISCH. FLG.	1.0", 150# RF	RPM	3600	PMP-25 POWER MONITOR
DRAIN CONN.	1/2", 150# RF	ENCL	TEFC	DOUBLE ISOLATION SHELL
		FRAME	213T	EQUIPPED WITH CDS SYSTEM
		PH/HZ	3/60	
		VOLTS	460	



ALL DIMENSIONS ±1/8" UNLESS OTHERWISE NOTED.

CERTIFIED CORRECT:
DATE: 3-20-06
BY: *QBT*

REV.	DATE	COMMENTS

PUMP UNIT DRAWING

CUSTOMER	DEGUSSA CORPORATION
ENG. CONTR.	
PROJECT NO.	C0150.10002
P.O. NO.	4500164995
ITEM NO.	3831.00
KU JOB NO.	06-007
EST. WEIGHT	575 lbs
DWG.CODE NO:	
DRAWING NO.	06-007-3831.Dwg
DATE	18-MAR-2006