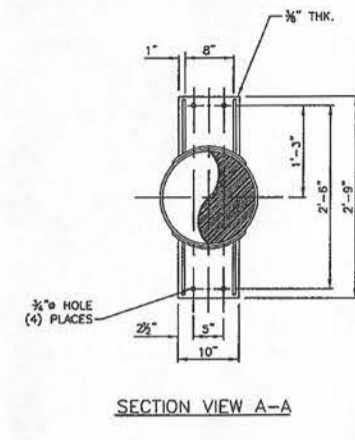
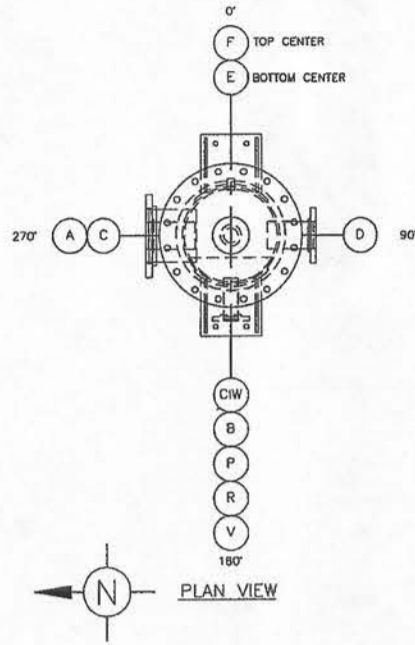
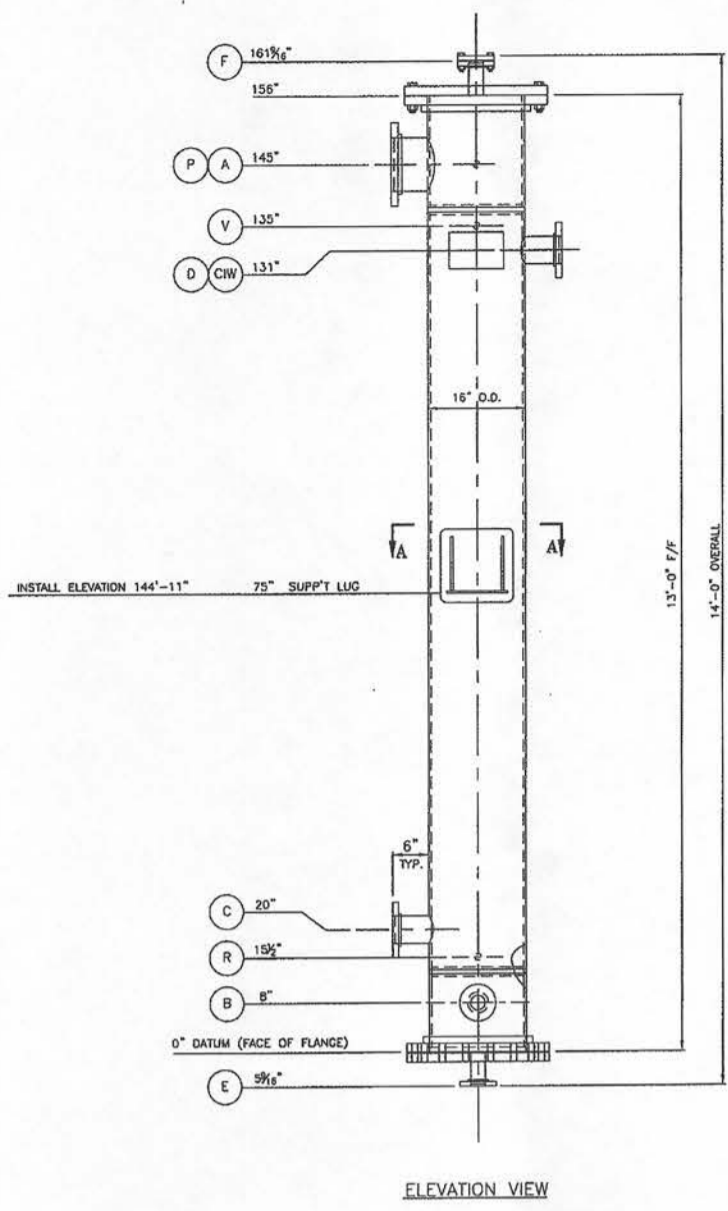


NOZZLE	SIZE	TYPE	FLANGE RATING	FLANGE MATERIAL	PIPE RATING	PIPE AND FITTING MATERIAL	SERVICE
A	8"	R.F SLIP-ON	150#	SA-105	SCH. 40	SA-106	VAPOR INLET
B	2"	R.F SLIP-ON	150#	SA-105	SCH. 40	SA-106	VAPOR OUTLET
C	4"	R.F SLIP-ON	150#	SA-105	SCH. 40	SA-106	COOLING WATER INLET
D	4"	R.F SLIP-ON	150#	SA-105	SCH. 40	SA-106	COOLING WATER OUTLET
E	2"	R.F SLIP-ON	150#	SA-105	SCH. 40	SA-106	CONDENSATE DISCHARGE
F	2"	R.F SLIP-ON	150#	SA-105	SCH. 40	SA-106	FLUSH
P	1/2"	FULL COUPLING THRD	3000#	SA-105	-	1/2" PLUG	PRESSURE CONNECTION
R	1/2"	FULL COUPLING THRD	3000#	SA-105	-	1/2" PLUG	SHELL DRAIN
V	1/2"	FULL COUPLING THRD	3000#	SA-105	-	1/2" PLUG	SHELL VENT
CW	LARGE	-	-	-	-	-	NAMEPLATE



PROPRIETARY AND CONFIDENTIAL  
DO NOT REPRODUCE, TRANSMIT OR DISCLOSE THIS  
INFORMATION WITHOUT WRITTEN CONSENT OF  
CROWN IRON WORKS COMPANY

DESCRIPTION	SPECIFICATIONS	
	TUBES	SHELL
Design Pressure (PSIG)	25/10	100
Hydraulic Test Pressure (PSIG)	33	130
Design Temperature (Deg. F)	300	300
External Tube Surface (ft <sup>2</sup> )	402	
Presses	1	1
Weight Empty (Lbs.)		2,750
Water Filled Weight (Lbs.)		3,800
Gross Size (ft <sup>3</sup> )		16.8
Shell	API, 16" STD WT (375 MLL) x 13'-0" LG	
Tubes	(163) 3/4" x 16 GA x 10'-6 1/2" LG	
		304 S.S.

No.	Revisions	Date	By	Designed By	Date Printed
0	ORIGINAL ISSUE	3-9-07	CW		

Designed By	CW	Date Printed	3-9-07
Drawn By	MTC	Date Drawn	3-9-07
Checked By		Scale	3/4"=1'-0"

**CROWN IRON WORKS CO.**  
MINNEAPOLIS, MINNESOTA 55440  
NOTICE: © 2001 CROWN IRON WORKS COMPANY  
THIS DRAWING AND INFORMATION ARE THE PROPERTY OF CROWN  
IRON WORKS COMPANY AND ARE NOT TO BE COPIED OR MISUSED.  
NOT RESPONSIBLE BEYOND OUR OWN WORK.  
S.O. NUMBER 11475 | CW FILE No. 403861

**TODD & SARGENT**  
620 Arrossmith Trail - Ames, Iowa 50010  
(515) 232-0442 - Fax: (515) 232-0682

**REG**  
BIO DIESEL FACILITY  
-FDR-  
RENEWABLE ENERGY GROUP, INC.  
ST. ROSE, LA.

INSTALLATION DRAWING		
K-290		
Job Number	Drawing No.	Rev. No.
20023	MEC466	0