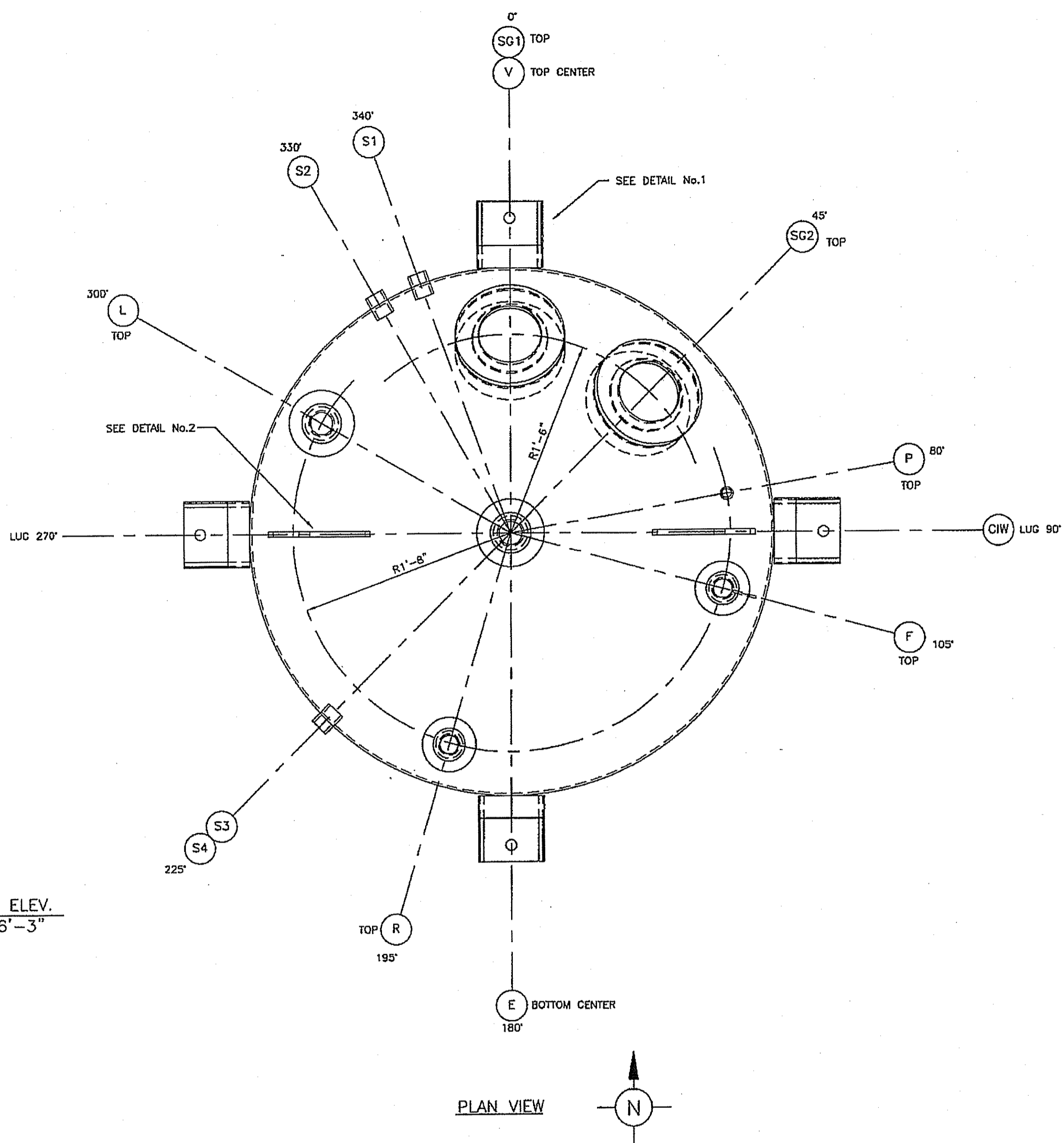
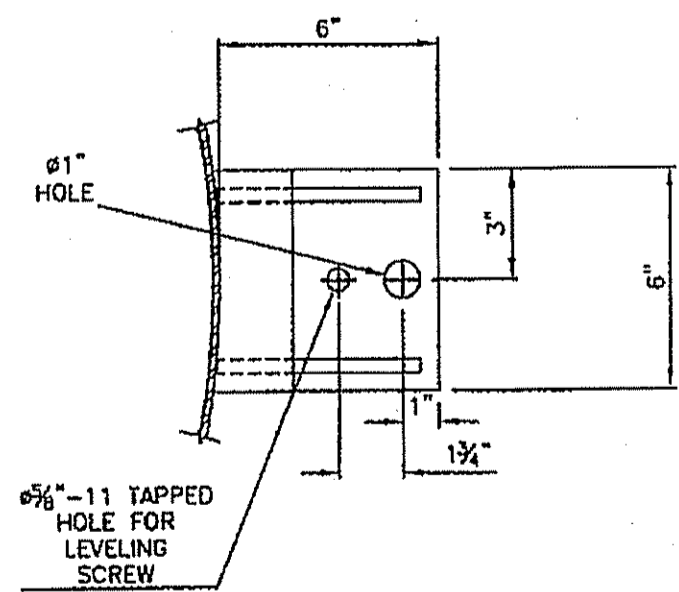


ELEVATION VIEW

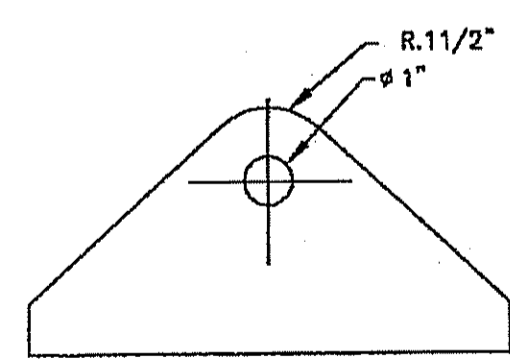
SET ELEV.
126'-3"



PLAN VIEW



DETAIL No.1 SUPPORT LUG DETAIL
MATERIAL: SA-240 304L S.S.
4 REQUIRED, NOT TO SCALE



DETAIL No.2 LIFT LUG
MATERIAL: SA-240 304L S.S.
2 REQUIRED, NOT TO SCALE

NOZZLE	SIZE	TYPE	FLANGE RATING	FLANGE MATERIAL	PIPE RATING	PIPE AND STUB-END MATERIAL	SERVICE
E	3"	R.F. SLIP-ON	150#	A105	SCH 40S	304L S.S.	LIQUID EFFLUENT
F	3"	R.F. SLIP-ON	150#	304L S.S.	SCH 40S	304L S.S.	FEED
L	2"	R.F. SLIP-ON	150#	304L S.S.	SCH 40S	304L S.S.	LEVEL TRANSMITTER
P	1/2"	COUPLING	3000#	304L S.S.	---	---	PRESSURE GAUGE
R	1 1/2"	R.F. SLIP-ON	150#	304L S.S.	SCH 40	304L S.S.	PRESSURE RELIEF
S1	1"	COUPLING	3000#	304L S.S.	---	---	SPARE
S2	1"	COUPLING	3000#	304L S.S.	---	---	SPARE
S3	1"	COUPLING	3000#	304L S.S.	---	---	SPARE
S4	1"	COUPLING	3000#	304L S.S.	---	---	SPARE
SG1	---	---	---	304L S.S.	---	---	SIGHT GLASS
SG2	---	---	---	304L S.S.	---	---	SIGHT GLASS
V	1"	R.F. SLIP-ON	150#	304L S.S.	SCH 40S	304L S.S.	VENT
CIW	LARGE	SEE DRAWING NP-6X9	---	---	---	---	NAMEPLATE

DESIGN INFORMATION			
DESIGN CODE:	ASME LATEST CODE, LATEST ADDENDA		
DESIGN PRESSURE:	15 psig		
DESIGN TEMPERATURE:	250°F		
WEIGHT EMPTY:	1,900 lb	SIDES:	SA-240 304L S.S.
WEIGHT FULL OF WATER:	7,200 lb	HEADS:	SA-240 304L S.S.
WEIGHT FULL OF GLYCERINE:	8,200 lb	GASKETS:	Garlock Gylon 3940
INTERIOR VOLUME:	626 gal.	HYDRO TEST PRESSURE:	Per Code
FINISHES			
INTERIOR:	NA	CALC. #	
EXTERIOR:		JOINT EFF.	0.70

No.	Revisions	Date	By	Designed By	Date Printed
0	ORIGINAL ISSUE	2-2-07	CIW		

CROWN IRON WORKS CO.
MINNEAPOLIS, MINNESOTA 55440

NOTICE: © 2001 CROWN IRON WORKS COMPANY
THIS DRAWING AND INFORMATION ARE THE PROPERTY OF CROWN IRON WORKS COMPANY AND ARE NOT TO BE COPIED OR MISUSED.
NOT RESPONSIBLE BEYOND OUR OWN WORK.

D.S.O. NUMBER 11476 CIW FILE No. 403766

TODD & SARGENT

620 Arrossmith Trail - Ames, Iowa 50010
(515) 232-0442 - Fax: (515) 232-0682

REG

SOY BIODIESEL
-FOR-
REG BIODIESEL
ST. ROSE, LOUISIANA

INSTALLATION DRAWING T-515		
Job Number	Drawing No.	Rev. No.
20023	MEC494	0

#115041