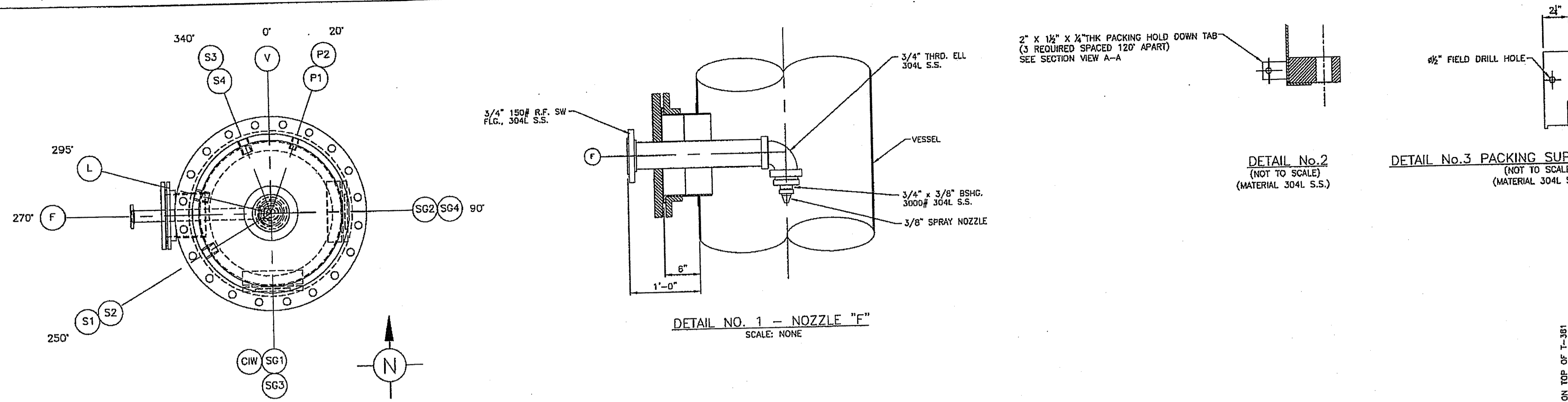
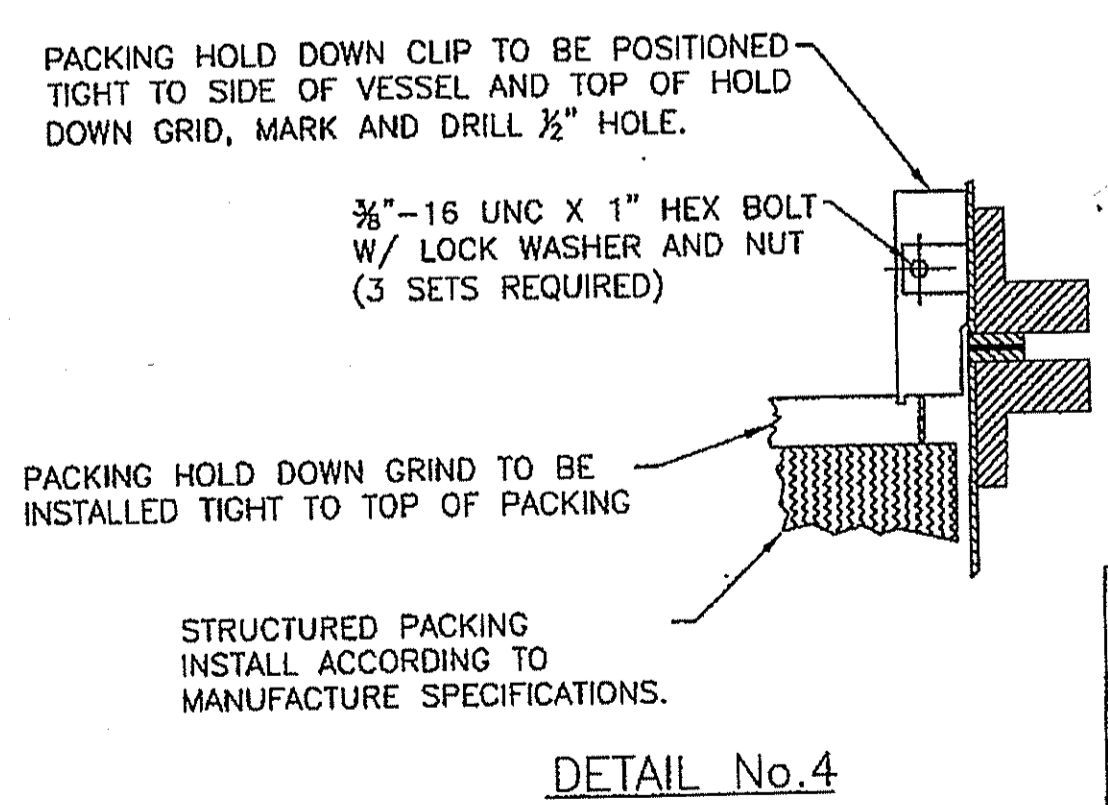
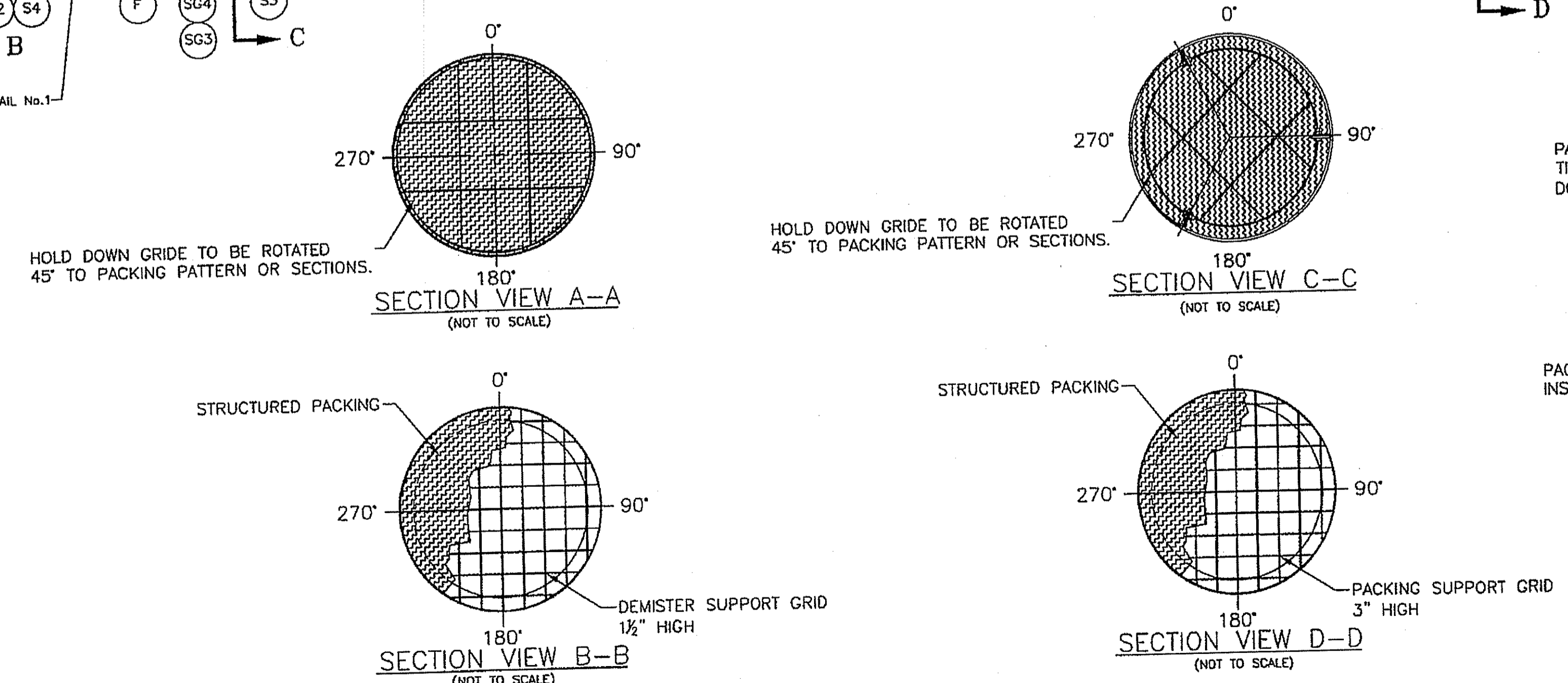
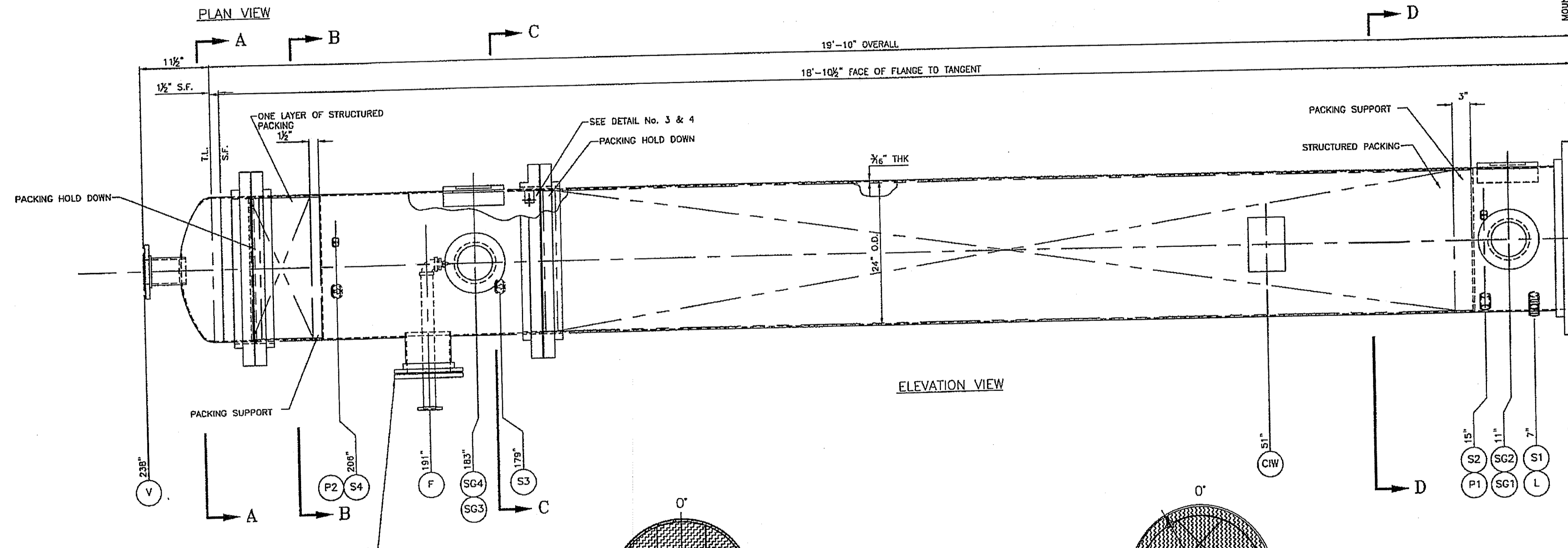


K:\PROJECTS\20000-20049\20023-REG-SAINT_ROSE_LA_MEC_DWG\MEC484-0-403756 V-380.dwg, Sheet 1, 3/30/2007 2:14:36 PM



NOZZLE	SIZE	TYPE	FLANGE RATING	FLANGE MATERIAL	PIPE RATING	PIPE AND STUB-END MATERIAL	SERVICE
F	3/4"	SEE DETAIL NO. 1	---	---	---	---	FEED INLET
L	1"	COUPLING	3000#	304L S.S.	---	---	LEVEL SWITCH
P1	1/2"	COUPLING	3000#	304L S.S.	---	---	PRESSURE DEVICE
P2	1/2"	COUPLING	3000#	304L S.S.	---	---	PRESSURE TRANSMITTER
S1	1"	COUPLING	3000#	304L S.S.	---	---	SPARE
S2	1"	COUPLING	3000#	304L S.S.	---	---	SPARE
S3	1"	COUPLING	3000#	304L S.S.	---	---	SPARE
S4	1"	COUPLING	3000#	304L S.S.	---	---	SPARE
SG1	---	---	---	304L S.S.	---	---	SIGHT GLASS
SG2	---	---	---	304L S.S.	---	---	SIGHT GLASS
SG3	---	---	---	304L S.S.	---	---	SIGHT GLASS
SG4	---	---	---	304L S.S.	---	---	SIGHT GLASS
V	4"	LAP JOINT W/ STUB-END	150#	C.S.	SCH 40S	304L S.S.	VAPOR OUTLET
CIW	---	SEE DRAWING NP-6X9	---	C.S.	---	---	SIGHT GLASS



NOTE:
 No. 1 AFTER VESSEL IS PACKED, INSTALL PACKING HOLD DOWN AND MEASURE FROM TOP OF HOLD DOWN GRID TO THE CENTER ON HOLE IN HOLD DOWN TAP TO LOCATE THE DISTANCE OF HOLE IN HOLD DOWN. BOLT HOLD DOWNS IN PLACE BEFORE ASSEMBLING VESSEL SECTIONS. USE SIGHT GLASS TO VERIFY ALIGNMENT DURING ASSEMBLY.

DESIGN INFORMATION	
DESIGN CODE:	ASME LATEST CODE, LATEST ADDENDA
DESIGN PRESSURE:	15 psig AND FULL VACUUM
DESIGN TEMPERATURE:	400°F
WEIGHT EMPTY:	4,300 lb
WEIGHT FULL OF WATER:	8,000 lb
WEIGHT FULL OF GLYCERINE:	8,700 lb
INTERIOR VOLUME:	1440 gal.
FINISHES:	
INTERIOR:	NA
EXTERIOR:	NA
CALC. #	
JOINT EFF.	0.70

Revisions No. Date By Designed By 0 ORIGINAL ISSUE 2-2-07 CIW		Date Printed Date Drawn 2-2-07 Scale 1"=1'-0"		CROWN IRON WORKS CO. MINNEAPOLIS, MINNESOTA 55440 NOTICE: © 2001 CROWN IRON WORKS COMPANY THIS DRAWING AND INFORMATION ARE THE PROPERTY OF CROWN IRON WORKS COMPANY AND ARE NOT TO BE COPIED OR MISUSED. NOT RESPONSIBLE BEYOND OUR OWN WORK. S.O. NUMBER 11476 CIW FILE No. 403756		TODD & SARGENT 620 Arrowsmith Trail - Ames, Iowa 50010 (515) 232-0442 - Fax: (515) 232-0682				SOY BIODIESEL -FOR- REG BIODIESEL ST. ROSE, LOUISIANA		INSTALLATION DRAWING V-380 Job Number 20023 Drawing No. MEC484 Rev. No. 0	
--	--	---	--	---	--	--	--	--	--	--	--	---	--

115039