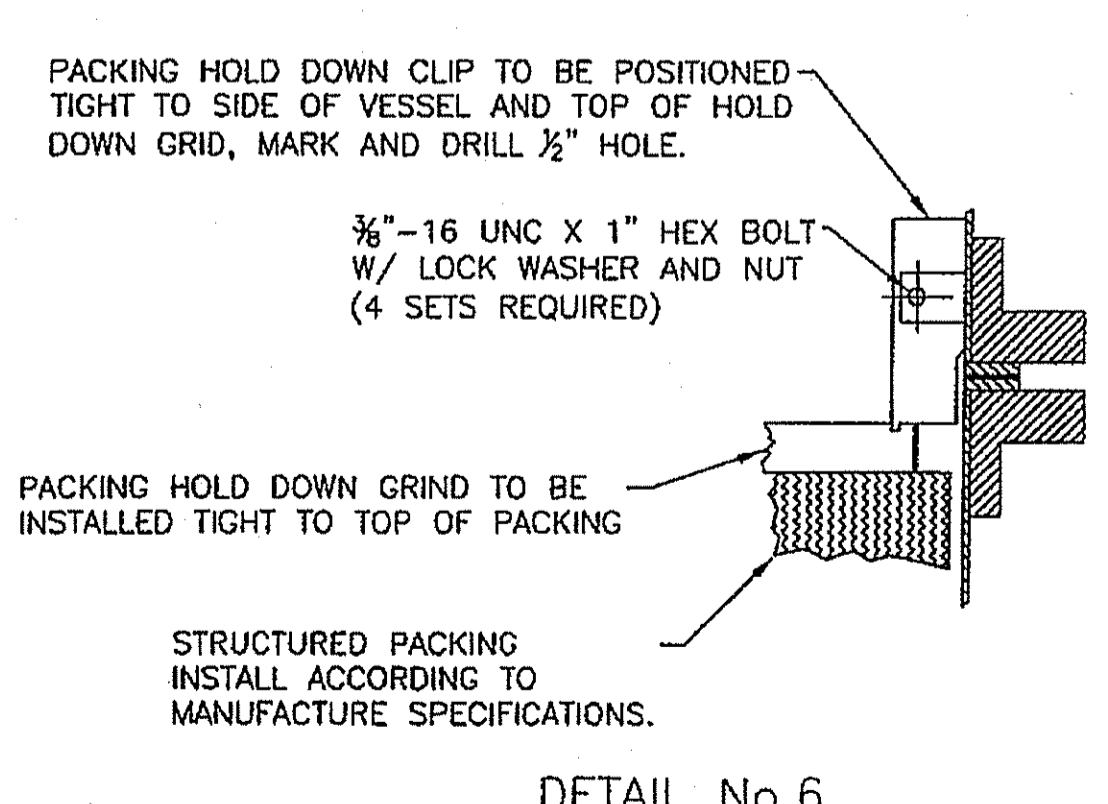
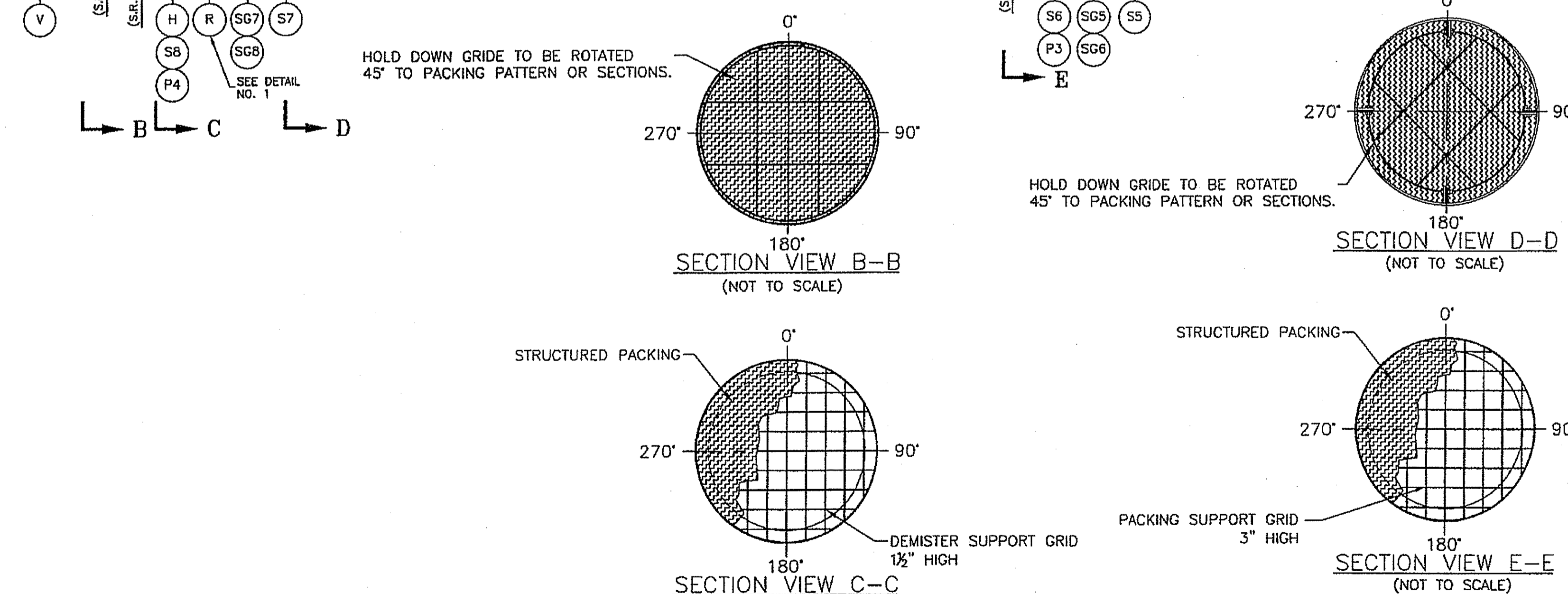
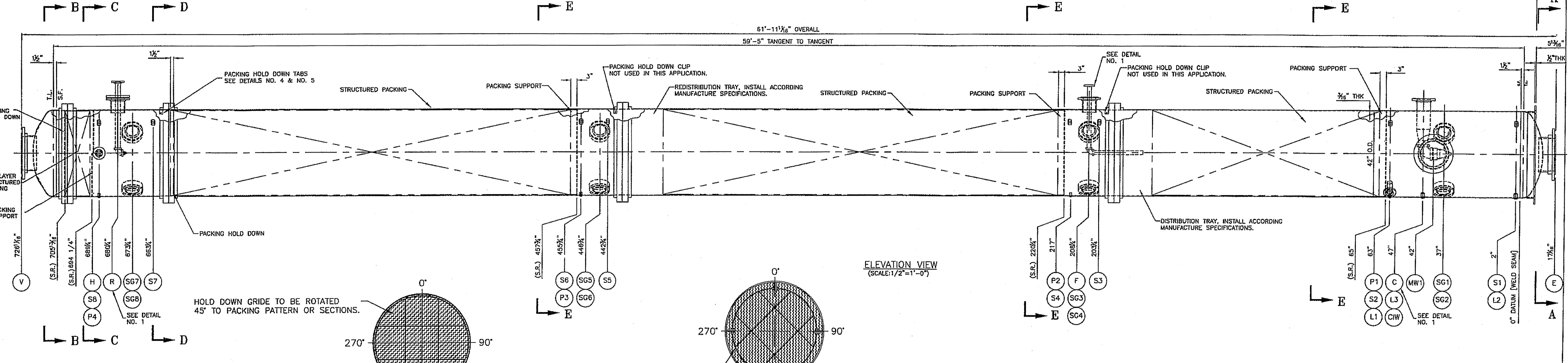


NOZZLE	SIZE	TYPE	FLANGE RATING	FLANGE MATERIAL	PIPE RATING	PIPE AND STUB-END MATERIAL	SERVICE
C	6"	LAP-JOINT W/ STUB-END	150#	C.S.	SCH 40S	304L S.S.	REBOILER CIRCULATION
CIW	LARGE	SEE DRAWING NP-6X9	---	C.S.	---	---	NAMEPLATE
E	18"	LAP-JOINT W/ STUB-END	150#	A105	SCH 20	304L S.S.	LIQUID EFFLUENT
F	6"	LAP-JOINT W/ STUB-END	150#	A105	SCH 40S	304L	FEED
H	2"	R.F. SLIP-ON	150#	304L S.S.	SCH 40S	304L S.S.	PRESSURE RELIEF
L1	2"	R.F. SLIP-ON	150#	316L S.S.	SCH 40S	304L S.S.	LEVEL TRANSMITTER
L2-3	1"	COUPLING	3000#	304L S.S.	---	---	LEVEL SWITCH
MW	12"	SEE DRAWING MW-20-304L	---	A105	---	---	MANWAY
P1-4	1/2"	COUPLING	3000#	304L S.S.	---	---	PRESSURE TRANSMITTER
R	6"	LAP-JOINT W/ STUB-END	150#	A105	SCH 40S	304L S.S.	REFLUX
S1-8	1"	COUPLING	3000#	304L S.S.	---	---	SPARE
SG1-8	6"	SEE DRAWING SG-6-304L	---	304L S.S.	---	---	SIGHT GLASS
V	18"	LAP-JOINT W/ STUB-END	150#	A105	SCH 20	304L S.S.	VAPOR EXIT



NOTE:
No. 1 AFTER VESSEL IS PACKED, INSTALL PACKING HOLD DOWN AND MEASURE FROM TOP OF HOLD DOWN GRID TO THE CENTER ON HOLE IN HOLD DOWN TAP TO LOCATE THE DISTANCE OF HOLE IN HOLD DOWN. BOLT HOLD DOWNS IN PLACE BEFORE ASSEMBLING VESSEL SECTIONS. USE SIGHT GLASS TO VERIFY ALIGNMENT DURING ASSEMBLY.

DESIGN INFORMATION	
DESIGN CODE:	ASME LATEST CODE, LATEST ADDENDA
DESIGN PRESSURE:	15 psig
DESIGN TEMPERATURE:	400°F
WEIGHT EMPTY:	22,000 lb
WEIGHT FULL OF WATER:	57,100 lb
WEIGHT FULL OF GLYCERINE:	64,200 lb
INTERIOR VOLUME:	4,200 gal.
INTERIOR FINISHES:	NA
EXTERIOR FINISHES:	NA
SIDES:	SA-240 304L S.S.
HEADS:	SA-240 304L S.S.
GASKETS:	GARLOCK GYLON 3540
HYDRO TEST PRESSURE:	PER CODE
CALC. #	
JOINT EFF.	0.70

No.	Revisions	Date	By	Designed By	Date Printed
0	ORIGINAL ISSUE	2-2-07	CIW		

CROWN IRON WORKS CO.
MINNEAPOLIS, MINNESOTA 55440
NOTICE: © 2001 CROWN IRON WORKS COMPANY THIS DRAWING AND INFORMATION ARE THE PROPERTY OF CROWN IRON WORKS COMPANY AND ARE NOT TO BE COPIED OR MISUSED. NOT RESPONSIBLE BEYOND OUR OWN WORK.
S.O. NUMBER 11476 | CIW FILE No. 403765

TODD & SARGENT
620 Arrowsmith Trail - Ames, Iowa 50010
(515) 232-0442 - Fax: (515) 232-0682



SOY BIODIESEL
-FOR-
REG BIODIESEL
ST. ROSE, LOUISIANA

INSTALLATION DRAWING
V-505
Job Number 20023 | Drawing No. MEC493 | Rev. No. 0

115037