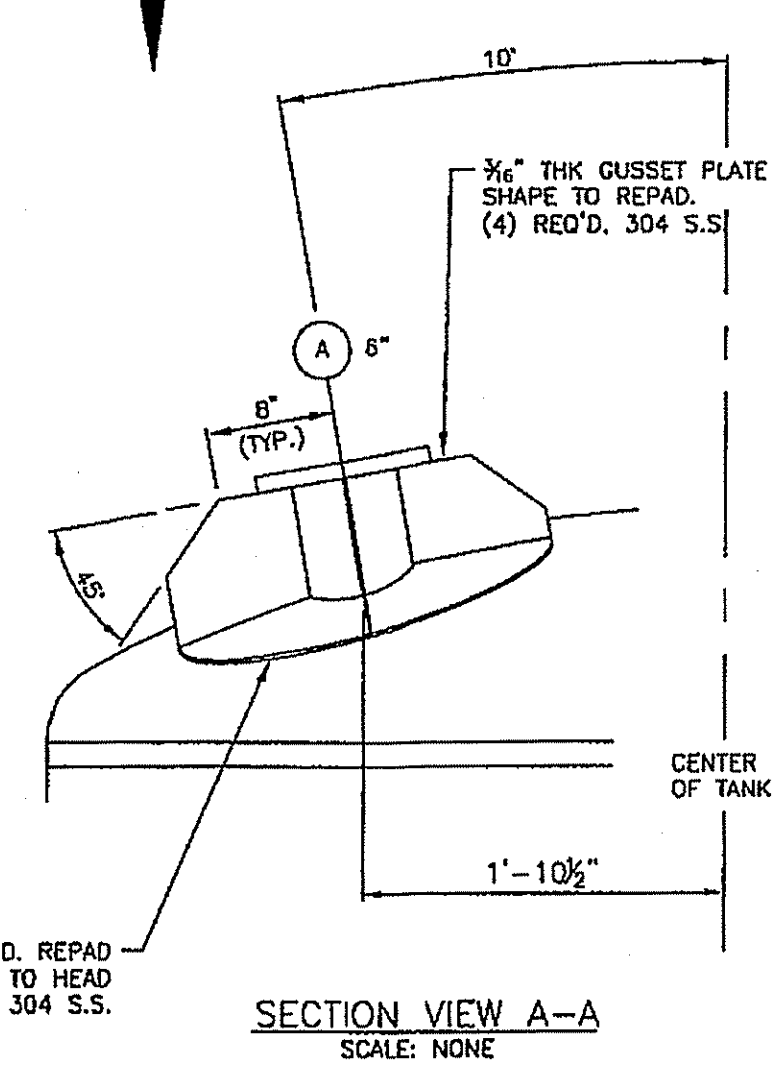
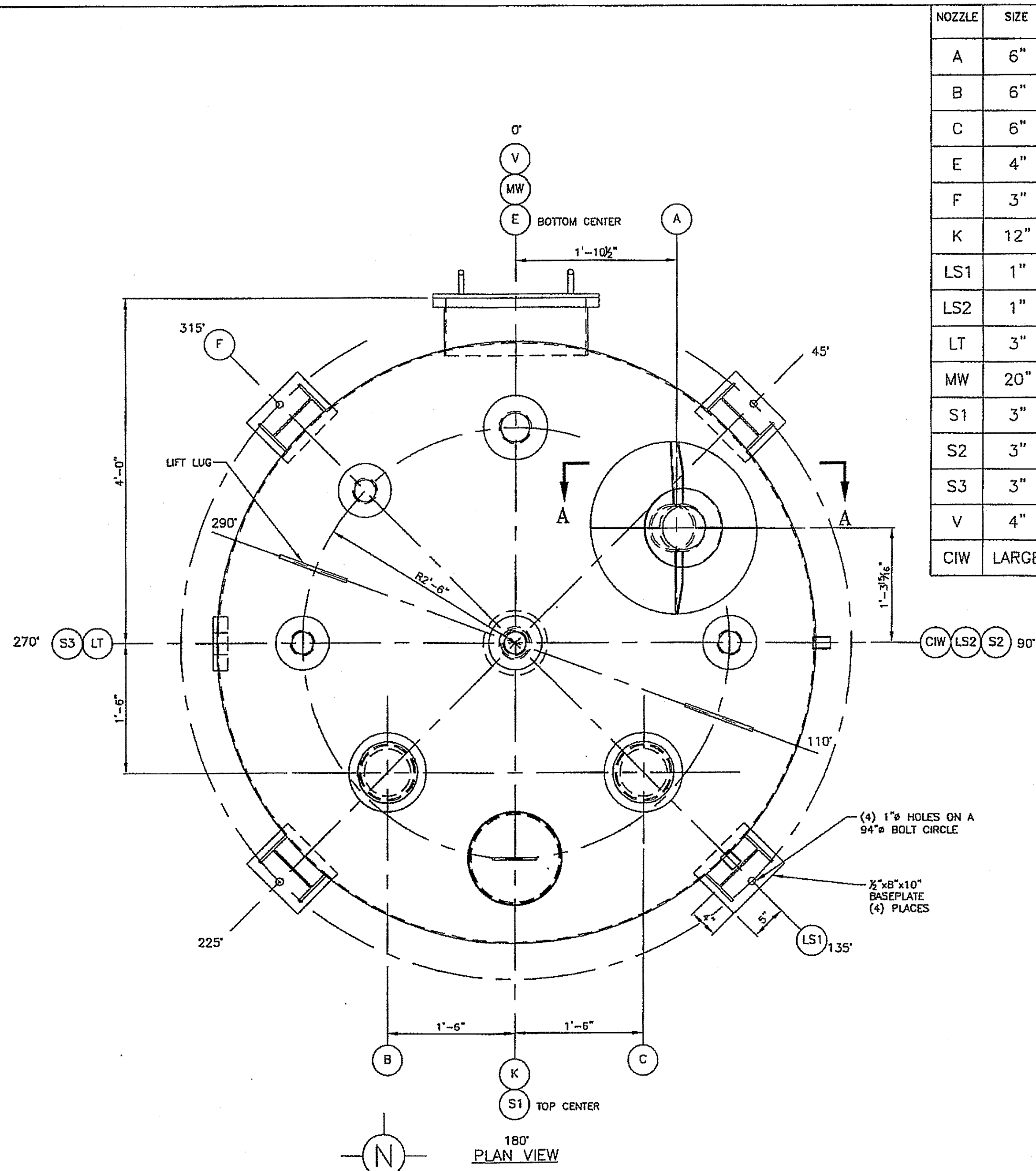
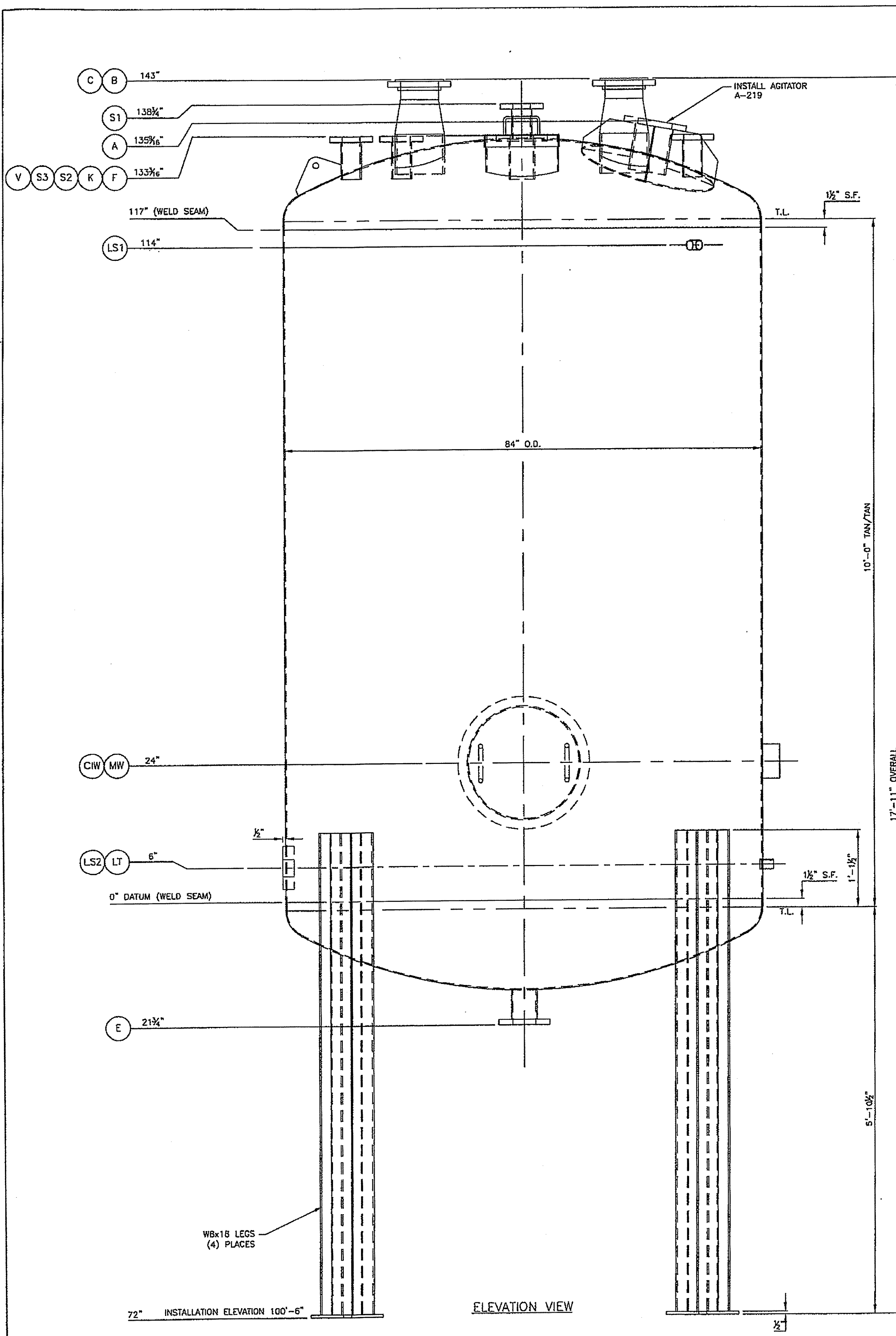


K:\PROJECTS\20000-20049\20023-REG-SAINI_T-220.dwg, T-220, 3/19/2007 2:47:33 PM



NOZZLE	SIZE	TYPE	FLANGE RATING	FLANGE MATERIAL	PIPE RATING	PIPE AND STUB-END MATERIAL	SERVICE
A	6"	R.F. SLIP-ON	150#	304 S.S.	SCH 40S	304 S.S.	AGITATOR
B	6"	LAP JOINT W/ STUB-END	150#	C.S.	SCH 10S	304 S.S.	FILTER AID INLET
C	6"	LAP JOINT W/ STUB-END	150#	C.S.	SCH 10S	304 S.S.	FILTER AID INLET
E	4"	LAP JOINT W/ STUB-END	150#	304 S.S.	SCH 10S	304 S.S.	EFFLUENT
F	3"	R.F. SLIP-ON	150#	304 S.S.	SCH 10S	304 S.S.	FEED
K	12"	STUB PIPE	-	-	SCH 10S	304 S.S.	INSPECTION PORT
LS1	1"	FULL COUPLING THRD	3000#	304 S.S.	-	-	LEVEL SWITCH
LS2	1"	FULL COUPLING THRD	3000#	304 S.S.	-	-	LEVEL SWITCH
LT	3"	PAD FLANGE	150#	304 S.S.	-	-	LEVEL TRANSMITTER
MW	20"	-	-	-	-	-	MANWAY
S1	3"	R.F. SLIP-ON	150#	304 S.S.	SCH 10S	304 S.S.	SPARE
S2	3"	R.F. SLIP-ON	150#	304 S.S.	SCH 10S	304 S.S.	SPARE
S3	3"	R.F. SLIP-ON	150#	304 S.S.	SCH 10S	304 S.S.	SPARE
V	4"	LAP JOINT W/ STUB-END	150#	304 S.S.	SCH 10S	304 S.S.	VENT
CIW	LARGE	-	-	-	-	-	NAMEPLATE

PROPRIETARY AND CONFIDENTIAL
DO NOT REPRODUCE, TRANSMIT OR DISCLOSE THIS
INFORMATION WITHOUT WRITTEN CONSENT OF
CROWN IRON WORKS COMPANY

DESIGN INFORMATION	
DESIGN CODE:	
DESIGN PRESSURE:	ATMOSPHERIC
DESIGN TEMPERATURE:	300°F
WEIGHT EMPTY:	4,600 lb
WEIGHT FULL OF WATER:	32,000 lb
WEIGHT, OPERATING:	440 cu ft
INTERIOR FINISHES:	
INTERIOR: I NA	EXTERIOR: SHOP PRIME ALL C.S. SURFACES
MATERIALS:	VESEL SHELL AND INTERNALS SA240 304 S.S.
SUPPORTS AND LIFT LUGS:	A-36 C.S.
GASKETS:	TEADIT TEALON 11570 (OR EQUAL)
HYDRO TEST PRESSURE:	
CALC. #	
JOINT EFF.	0.70

No.	Revisions	Date	By	Designed By	Date Printed
0	ORIGINAL ISSUE	3-9-07	CIW		

CROWN IRON WORKS CO.
MINNEAPOLIS, MINNESOTA 55440
NOTICE: 2001 CROWN IRON WORKS COMPANY
THIS DRAWING AND INFORMATION ARE THE PROPERTY OF CROWN
IRON WORKS COMPANY AND ARE NOT TO BE COPIED OR MISUSED.
NOT RESPONSIBLE BEYOND OUR OWN WORK
S.O. NUMBER 11475 CIW FILE No. 403846

TODD & SARGENT
620 Arrossmith Trail - Ames, Iowa 50010
(515) 232-0442 - Fax: (515) 232-0682



BIODIESEL FACILITY
-FOR-
RENEWABLE ENERGY GROUP INC.
ST. ROSE, LA.

INSTALLATION DRAWING
T-220
Job Number 20023 Drawing No. MEC452 Rev. No. 0

11503