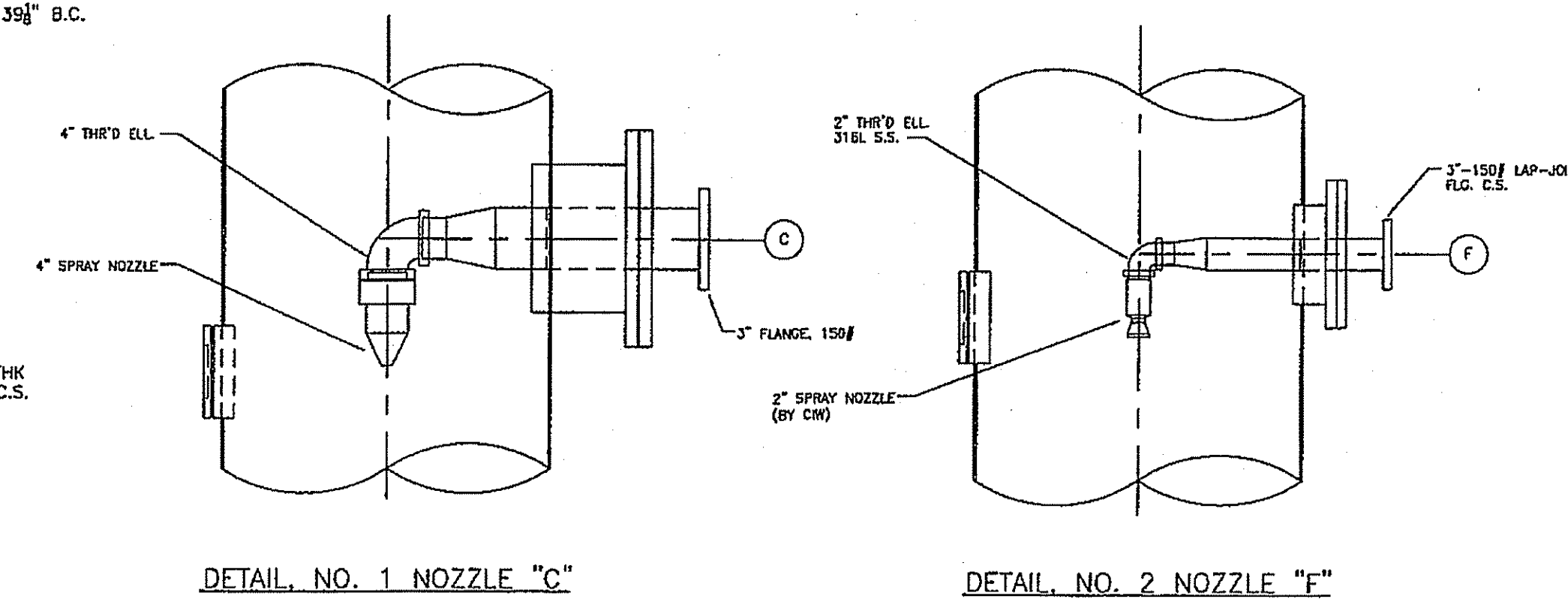
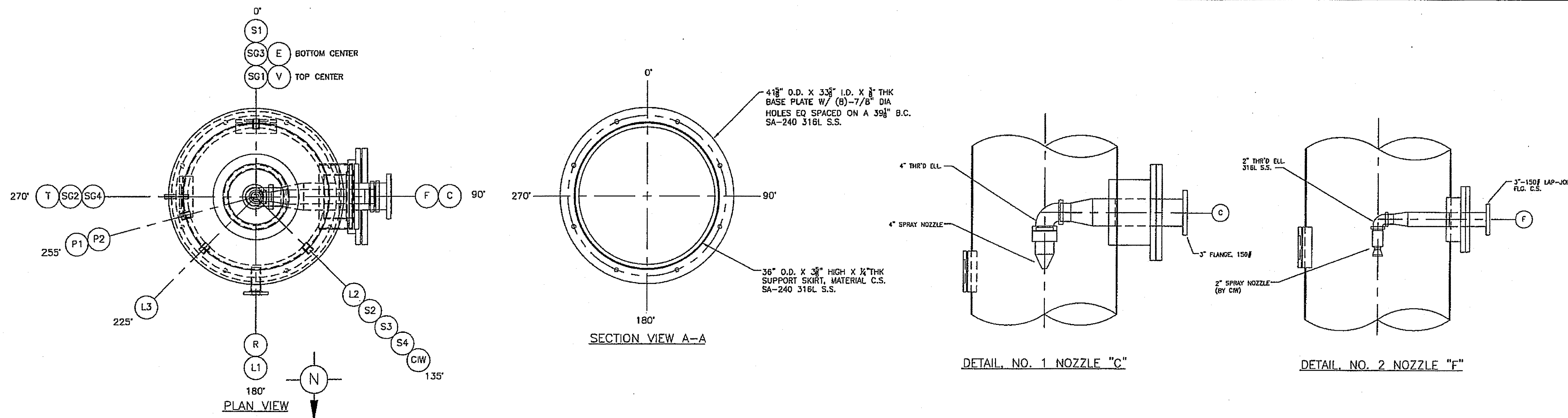
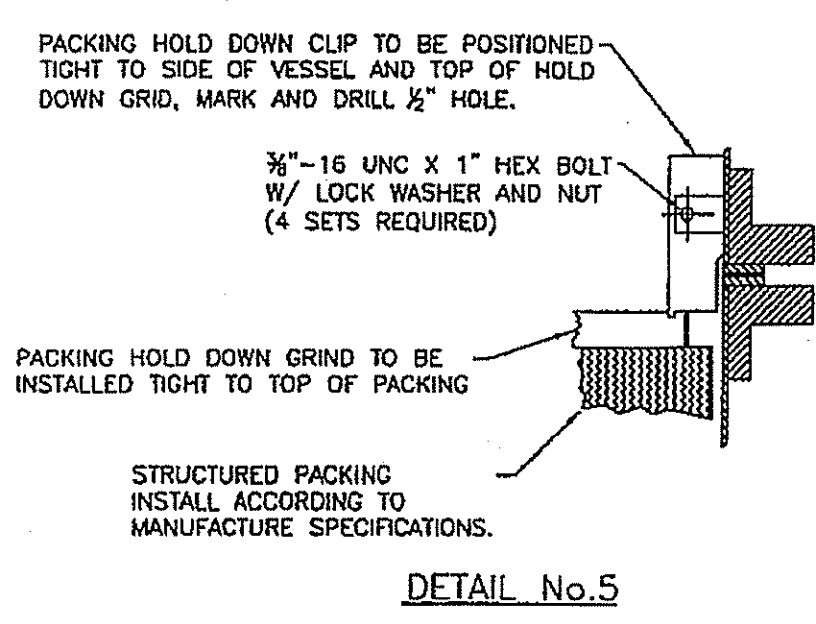
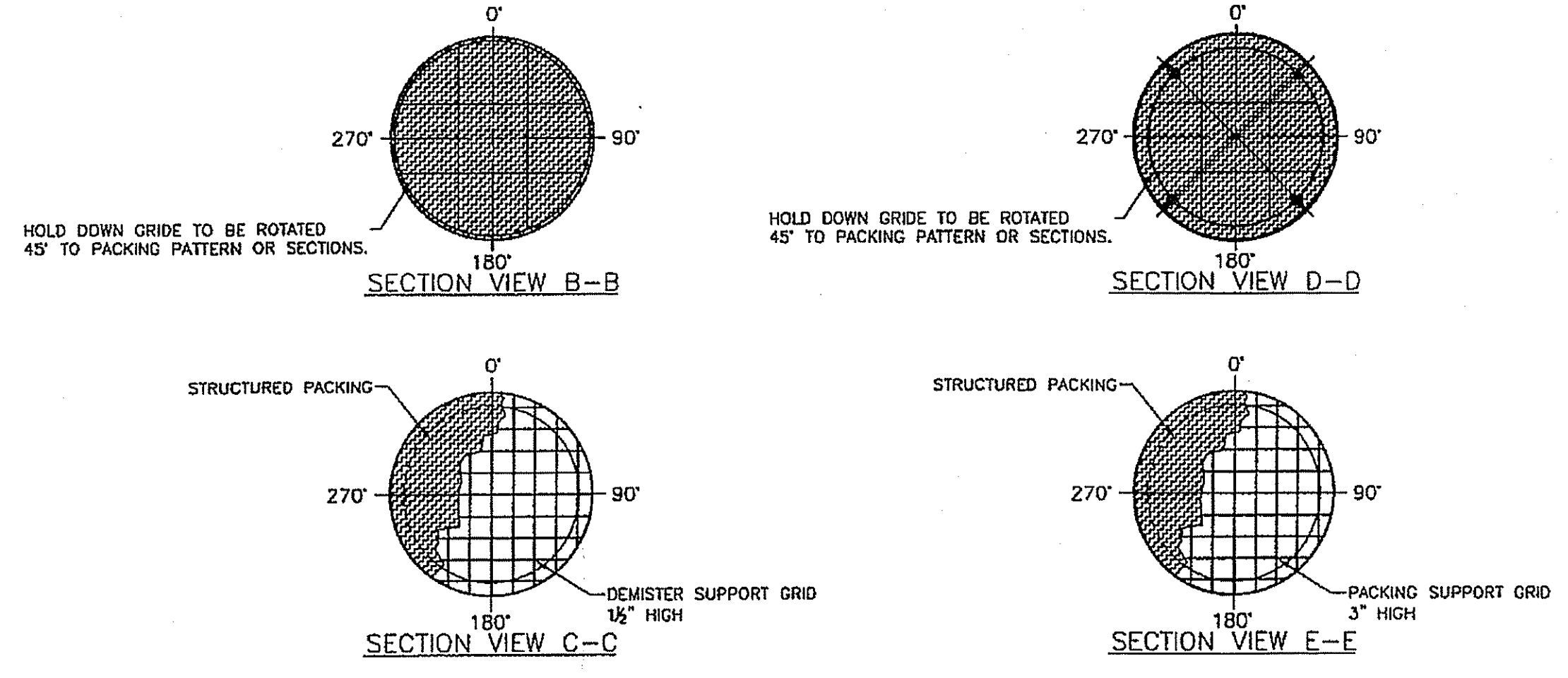
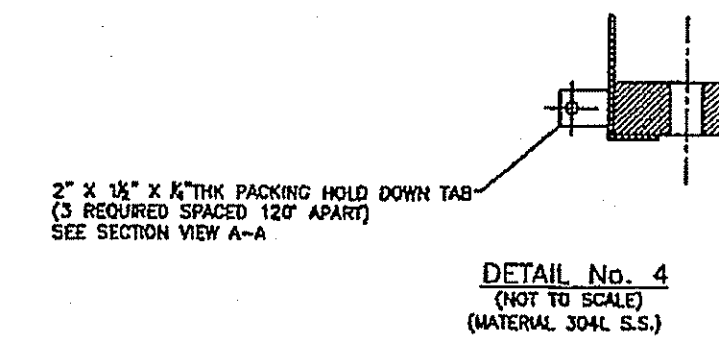
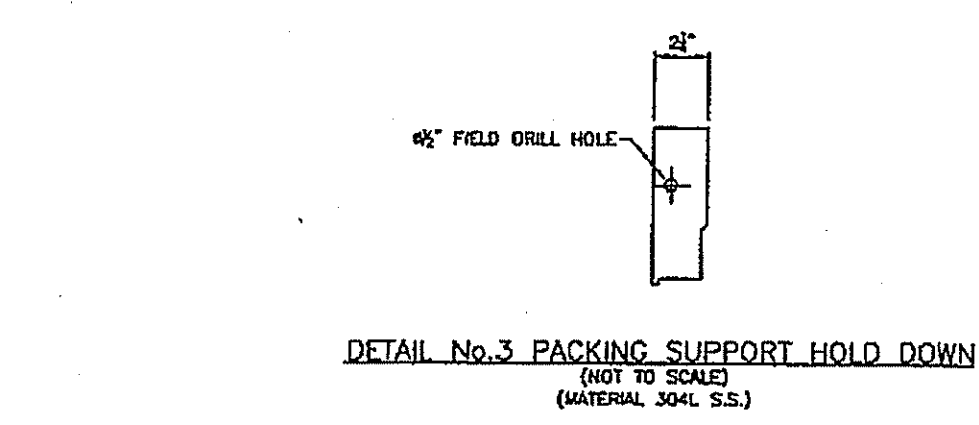
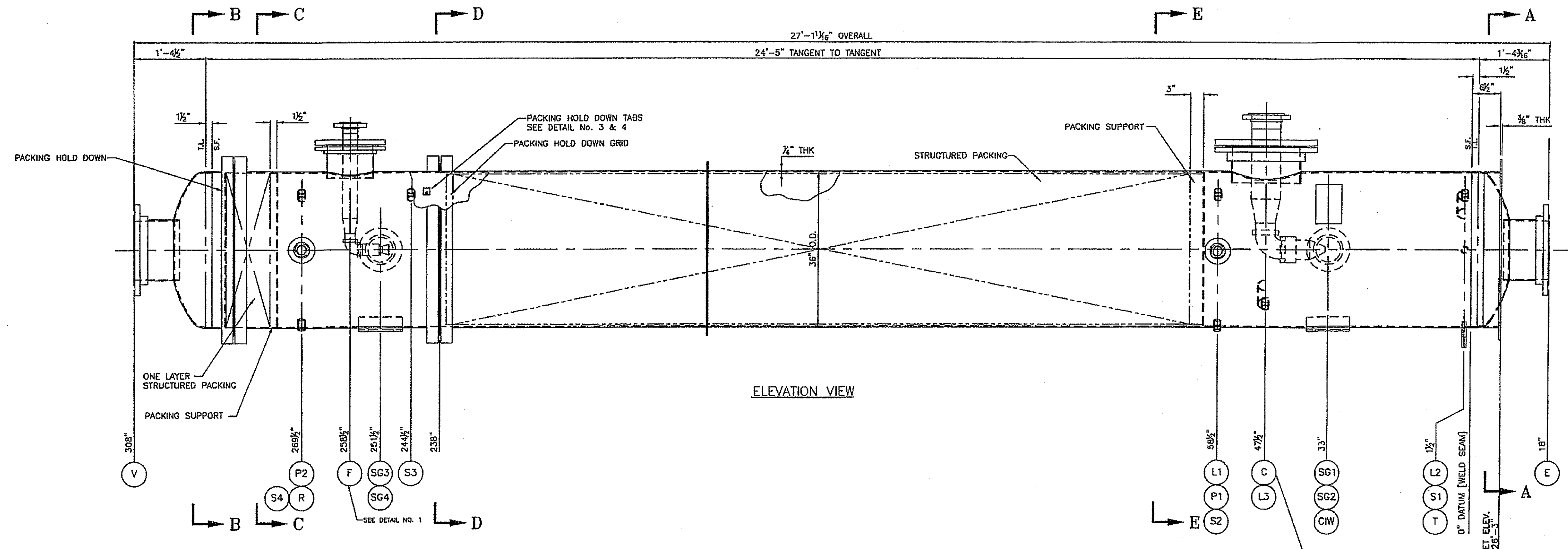


K:\PROJECTS\20000-20049\20023-REG-SOYBIODIESEL_V-415.dwg, SHEET 1, 3/30/2007 2:09:59 PM



NOZZLE	SIZE	TYPE	FLANGE RATING	FLANGE MATERIAL	PIPE RATING	PIPE AND STUB-END MATERIAL	SERVICE
C	8"	LAP-JOINT W/ STUB-END	150#	C.S.	SCH 10	316L S.S.	REBOILER CIRCULATION
CIW	LARGE	SEE DRAWING NP-6X9	-	-	-	-	NAMEPLATE
E	20"	LAP-JOINT W/ STUB-END	150#	C.S.	SCH 10	316L S.S.	LIQUID EFFLUENT NOZZLE
F	3"	LAP-JOINT W/ STUB-END	150#	C.S.	SCH 40S	316L S.S.	ESTER FEED NOZZLE
L1	2"	R.F. SLIP-ON	150#	316L S.S.	SCH 40S	316L S.S.	LEVEL TRANSMITTER
L2	1"	COUPLING SEE DETAIL No.5	3000#	316L S.S.	-	-	LEVEL SWITCH
L3	1"	COUPLING SEE DETAIL No.5	3000#	316L S.S.	-	-	LEVEL SWITCH
P1	1/2"	COUPLING	3000#	316L S.S.	-	-	PRESSURE TRANSMITTER
P2	1/2"	COUPLING	3000#	316L S.S.	-	-	PRESSURE TRANSMITTER
R	2"	R.F. SLIP-ON	150#	316L S.S.	SCH 40S	316L S.S.	PRESSURE RELIEF NOZZLE
S1	1"	COUPLING	3000#	316L S.S.	-	-	SPARE
S2	1"	COUPLING	3000#	316L S.S.	-	-	SPARE
S3	1"	COUPLING	3000#	316L S.S.	-	-	SPARE
S4	1"	COUPLING	3000#	316L S.S.	-	-	SPARE
SG1	---	---	---	316L S.S.	---	---	SIGHT GLASS
SG2	---	---	---	316L S.S.	---	---	SIGHT GLASS
SG3	---	---	---	316L S.S.	---	---	SIGHT GLASS
SG4	---	---	---	316L S.S.	---	---	SIGHT GLASS
T	3/4"	WELD-IN THERMOWELL	-	-	-	-	TEMPERATURE GAUGE
V	18"	LAP-JOINT W/ STUB-END	150#	C.S.	SCH 10	316L S.S.	VAPOR EXIT NOZZLE



DESIGN INFORMATION	
DESIGN CODE:	ASME LATEST CODE, LATEST ADDENDA
DESIGN PRESSURE:	50 psig AND FULL VACUUM
DESIGN TEMPERATURE:	400F
WEIGHT EMPTY:	9,500 lb
WEIGHT FULL OF WATER:	20,600 lb
WEIGHT FULL OF GLYCERINE:	22,800 lb
INTERIOR VOLUME:	1,300 gal.
FINISHES:	INTERIOR: 1 NA EXTERIOR: 1
CALC. #	JOINT EFF. 0.70

No.	Revisions	Date	By	Designed By	Date Printed
0	ORIGINAL ISSUE	2-2-07	CIW	CIW	2-2-07

CROWN IRON WORKS CO.
MINNEAPOLIS, MINNESOTA 55440
NOTICE: © 2001 CROWN IRON WORKS COMPANY THIS DRAWING AND INFORMATION ARE THE PROPERTY OF CROWN IRON WORKS COMPANY AND ARE NOT TO BE COPIED OR MISUSED. NOT RESPONSIBLE BEYOND OUR OWN WORK.
S.O. NUMBER 11476 CIW FILE No. 403759

TODD & SARGENT
620 Arrowsmith Trail - Ames, Iowa 50010
(515) 232-0442 - Fax: (515) 232-0682

REG
SOY BIODIESEL
-FOR-
REG BIODIESEL
ST. ROSE, LOUISIANA

INSTALLATION DRAWING
V-415
Job Number 20023 Drawing No. MEC488 Rev. No. 0