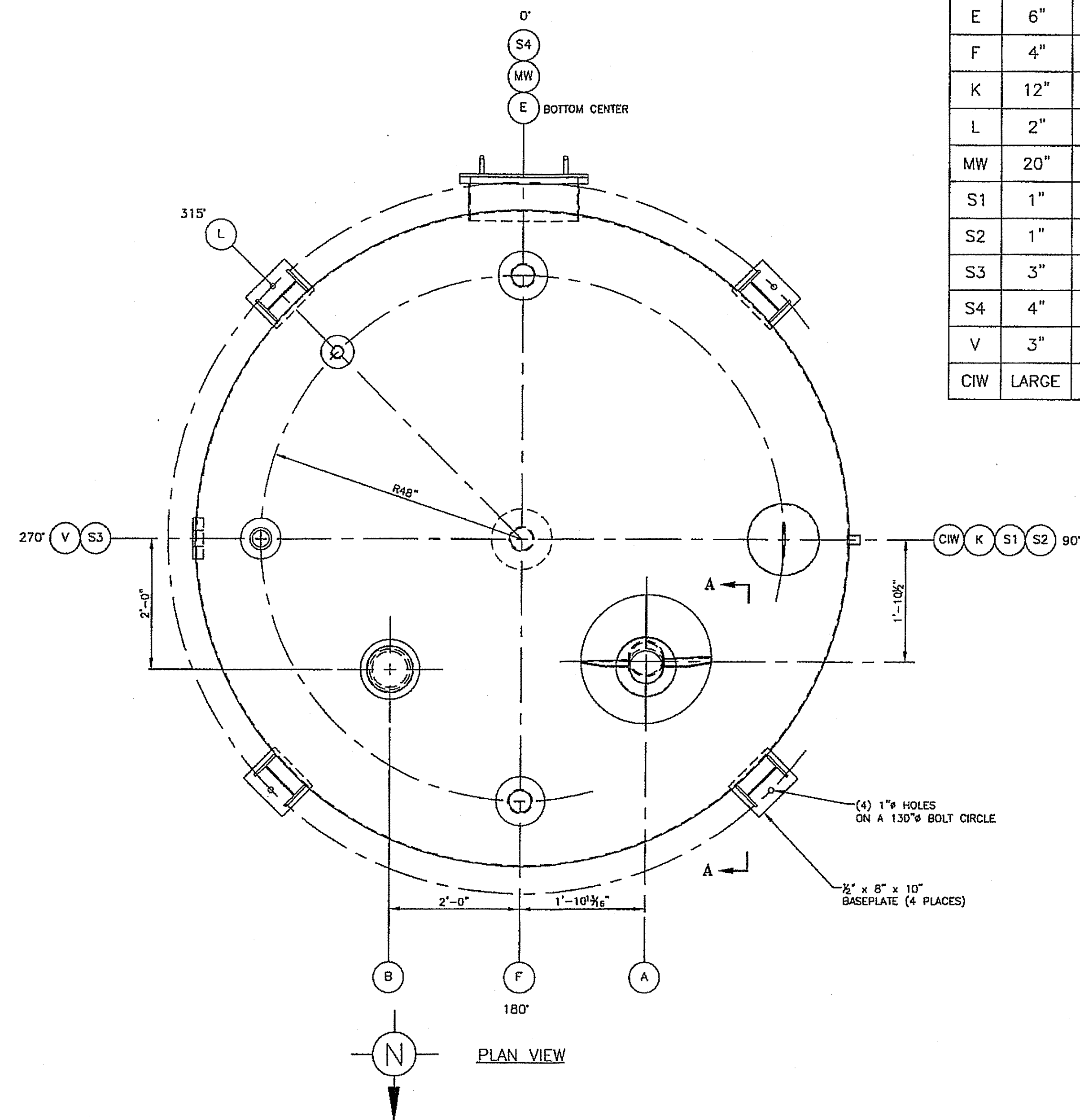
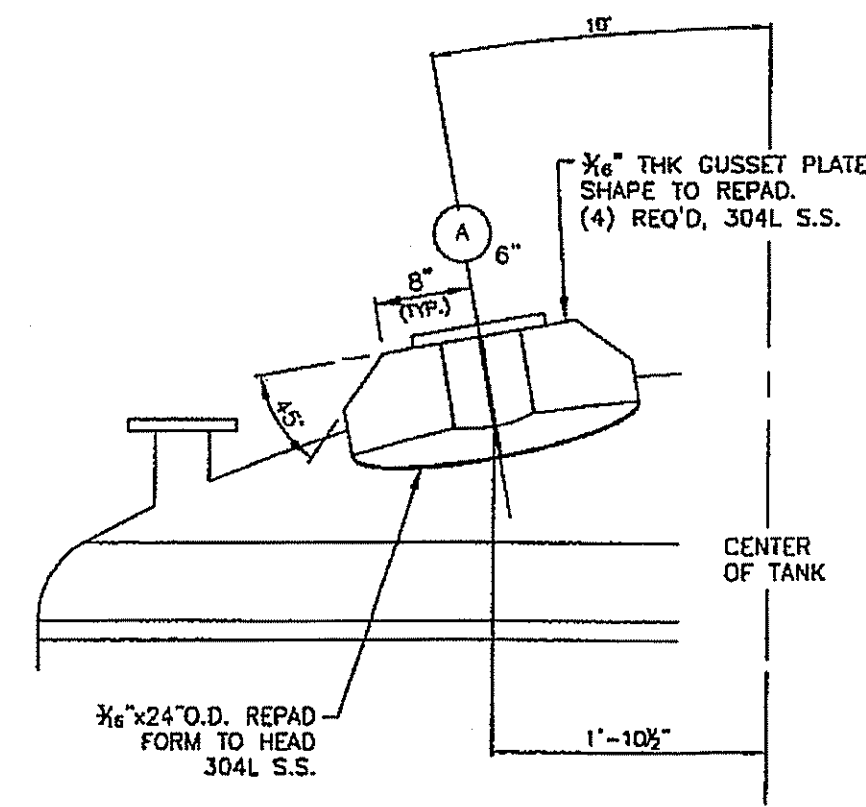


ELEVATION VIEW



PLAN VIEW



SECTION VIEW A-A
SCALE: NONE

NOZZLE	SIZE	TYPE	FLANGE RATING	FLANGE MATERIAL	PIPE RATING	PIPE AND STUB-END MATERIAL	SERVICE
A	6"	R.F. SLIP-ON SEE SECTION A-A	150#	304L S.S.	SCH 40S	304L S.S.	AGITATOR
B	6"	LAP JOINT W/ STUB-END	150#	C.S.	SCH 10S	304L S.S.	FILTER AID INLET
E	6"	LAP JOINT W/ STUB-END	150#	C.S.	SCH 10S	304L S.S.	EFFLUENT
F	4"	LAP JOINT W/ STUB-END	150#	C.S.	SCH 10S	304L S.S.	FEED
K	12"	STUB-PIPE	-	-	SCH 10S	304L S.S.	INSPECTION PORT
L	2"	R.F. SLIP-ON	150#	304L S.S.	SCH 40S	304L S.S.	LEVEL TRANSMITTER
MW	20"	-	-	-	-	-	MANWAY
S1	1"	FULL COUPLING THRD	3000#	304L S.S.	-	-	SPARE
S2	1"	FULL COUPLING THRD	3000#	304L S.S.	-	-	SPARE
S3	3"	PAD FLANGE	150#	304L S.S.	-	-	SPARE
S4	4"	LAP JOINT W/ SLIP-ON	150#	C.S.	SCH 10S	304L S.S.	SPARE
V	3"	R.F. SLIP-ON	150#	304L S.S.	SCH 10S	304L S.S.	VENT
CIW	LARGE	-	-	-	-	-	NAMEPLATE

PROPRIETARY AND CONFIDENTIAL
DO NOT REPRODUCE, TRANSMIT OR DISCLOSE THIS
INFORMATION WITHOUT WRITTEN CONSENT OF
CROWN IRON WORKS COMPANY

DESIGN INFORMATION			
DESIGN CODE:			
DESIGN PRESSURE:	ATMOSPHERIC		
DESIGN TEMPERATURE:		MATERIALS	
WEIGHT EMPTY:	6,000 lb	VESSEL SHELL AND INTERNALS	SA240 304L S.S.
WEIGHT FULL OF WATER:	66,000 lb	SUPPORTS AND LIFT LUGS	A36 C.S.
WEIGHT, OPERATING		GASKETS:	OMROCK DION 350
INTERIOR VOLUME:	955 cu ft	HYDRO TEST PRESSURE:	
FINISHES			
INTERIOR: 1 NA		CALC. #	
EXTERIOR: SHOP PRIME ALL C.S. SURFACES		JOINT EFF.	0.70

No.	Revisions	Date	By	Designed By	Date Printed
				CIW	
				MTC	3-6-07
				Checked By	Scale
0	ORIGINAL ISSUE	3-9-07	CIW		3/4"=1'-0"

CROWN IRON WORKS CO.
MINNEAPOLIS, MINNESOTA 55440
NOTICE: © 2001 CROWN IRON WORKS COMPANY
THIS DRAWING AND INFORMATION ARE THE PROPERTY OF CROWN
IRON WORKS COMPANY AND ARE NOT TO BE COPIED OR MISUSED.
NOT RESPONSIBLE BEYOND OUR OWN WORK.
S.O. NUMBER 11476 | CIW FILE No. 403854

TODD & SARGENT
620 Arrasmith Trail - Ames, Iowa 50010
(515) 232-0442 - Fax: (515) 232-0682



BIODIESEL FACILITY
-FOR-
RENEWABLE ENERGY GROUP INC.
ST. ROSE, LA.

INSTALLATION DRAWING
T-450
Job Number 20023 | Drawing No. MEC465 | Rev. No. 0

115019