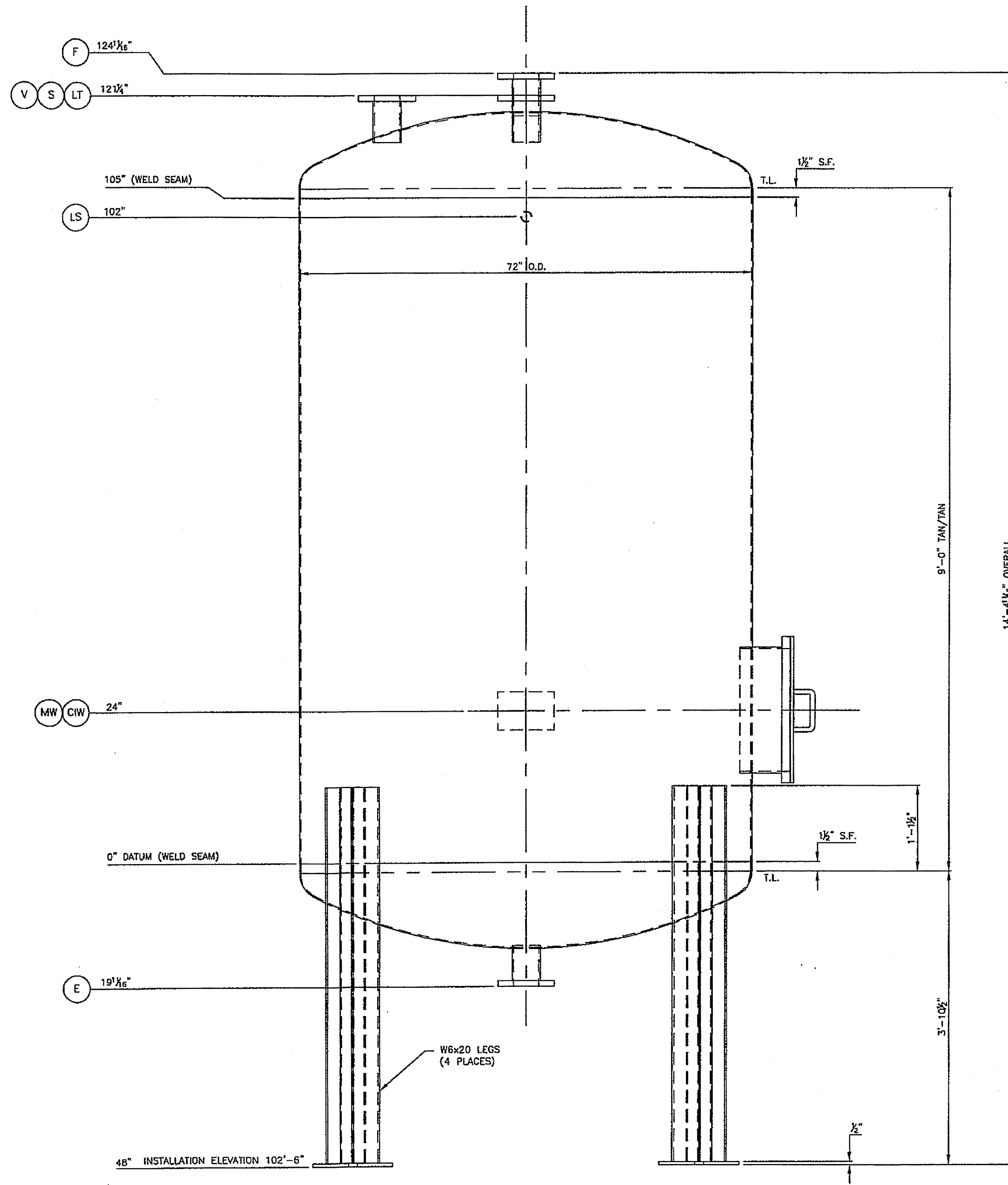
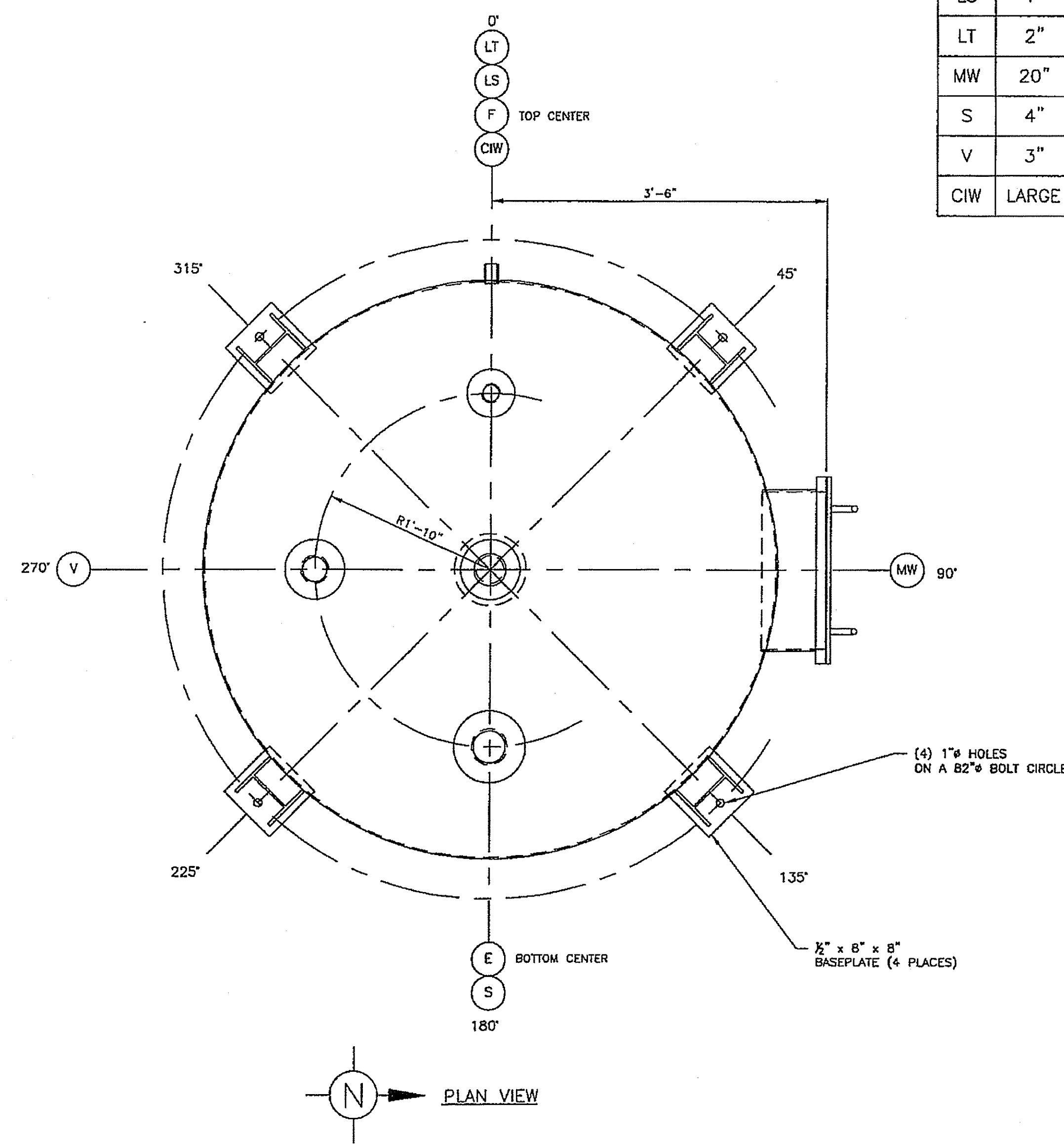


K:\PROJECTS\20000-2004\9\20023-REG-SAINT_ROSE_LA_MEC_DWGS\MEC464-0-403853 T-445.dwg, 3/19/2007 2:51:15 PM



ELEVATION VIEW



PLAN VIEW

NOZZLE	SIZE	TYPE	FLANGE RATING	FLANGE MATERIAL	PIPE RATING	PIPE AND STUB-END MATERIAL	SERVICE
E	4"	LAP JOINT W/ STUB-END	150#	C.S.	SCH 10S	304L S.S.	EFFLUENT
F	3"	R.F. SLIP-ON	150#	304L S.S.	SCH 10S	304L S.S.	FEED
LS	1"	FULL COUPLING THRD	3000#	304L S.S.	-	-	LEVEL SWITCH
LT	2"	R.F. SLIP-ON	150#	304L S.S.	SCH 40S	304L S.S.	LEVEL TRANSMITTER
MW	20"	-	-	-	-	-	MANWAY
S	4"	LAP JOINT W/ STUB-END	150#	C.S.	SCH 10S	304L S.S.	SPARE
V	3"	R.F. SLIP-ON	150#	304L S.S.	SCH 10S	304L S.S.	VENT
CIW	LARGE	-	-	-	-	-	NAMEPLATE

DESIGN INFORMATION	
DESIGN CODE:	
DESIGN PRESSURE:	ATMOSPHERIC
DESIGN TEMPERATURE:	
WEIGHT EMPTY:	2,700 lb
WEIGHT FULL OF WATER:	20,200 lb
WEIGHT OPERATING:	
INTERIOR VOLUME:	280 cu ft
FINISHES:	
INTERIOR:	NA
EXTERIOR:	SHOP PRIME ALL C.S. SURFACES
MATERIALS:	
VESSEL SHELL AND INTERNALS:	S4240 304L S.S.
SUPPORTS AND LIFT LUGS:	A36 C.S.
GASKETS:	ORLOCK OILOM 3450
HYDRO TEST PRESSURE:	
CALC. #	
JOINT EFF.	0.70

PROPRIETARY AND CONFIDENTIAL
DO NOT REPRODUCE, TRANSMIT OR DISCLOSE THIS
INFORMATION WITHOUT WRITTEN CONSENT OF
CROWN IRON WORKS COMPANY

No.	Revisions	Date	By	Designed By	Date Printed
0	ORIGINAL ISSUE	3-9-07	CIW	CIW	3-6-07

CROWN IRON WORKS CO.
MINNEAPOLIS, MINNESOTA 55440
NOTICE: © 2001 CROWN IRON WORKS COMPANY
THIS DRAWING AND INFORMATION ARE THE PROPERTY OF CROWN
IRON WORKS COMPANY AND ARE NOT TO BE COPIED OR MISUSED.
NOT RESPONSIBLE BEYOND OUR OWN WORK
S.O. NUMBER 11476 CIW FILE No. 403853

TODD & SARGENT
620 Arrossmith Trail - Ames, Iowa 50010
(515) 232-0442 - Fax: (515) 232-0682



BIO DIESEL FACILITY
-FOR-
RENEWABLE ENERGY GROUP INC.
ST. ROSE, LA.

INSTALLATION DRAWING
T-445
Job Number 20023 Drawing No. MEC464 Rev. No. 0

1150