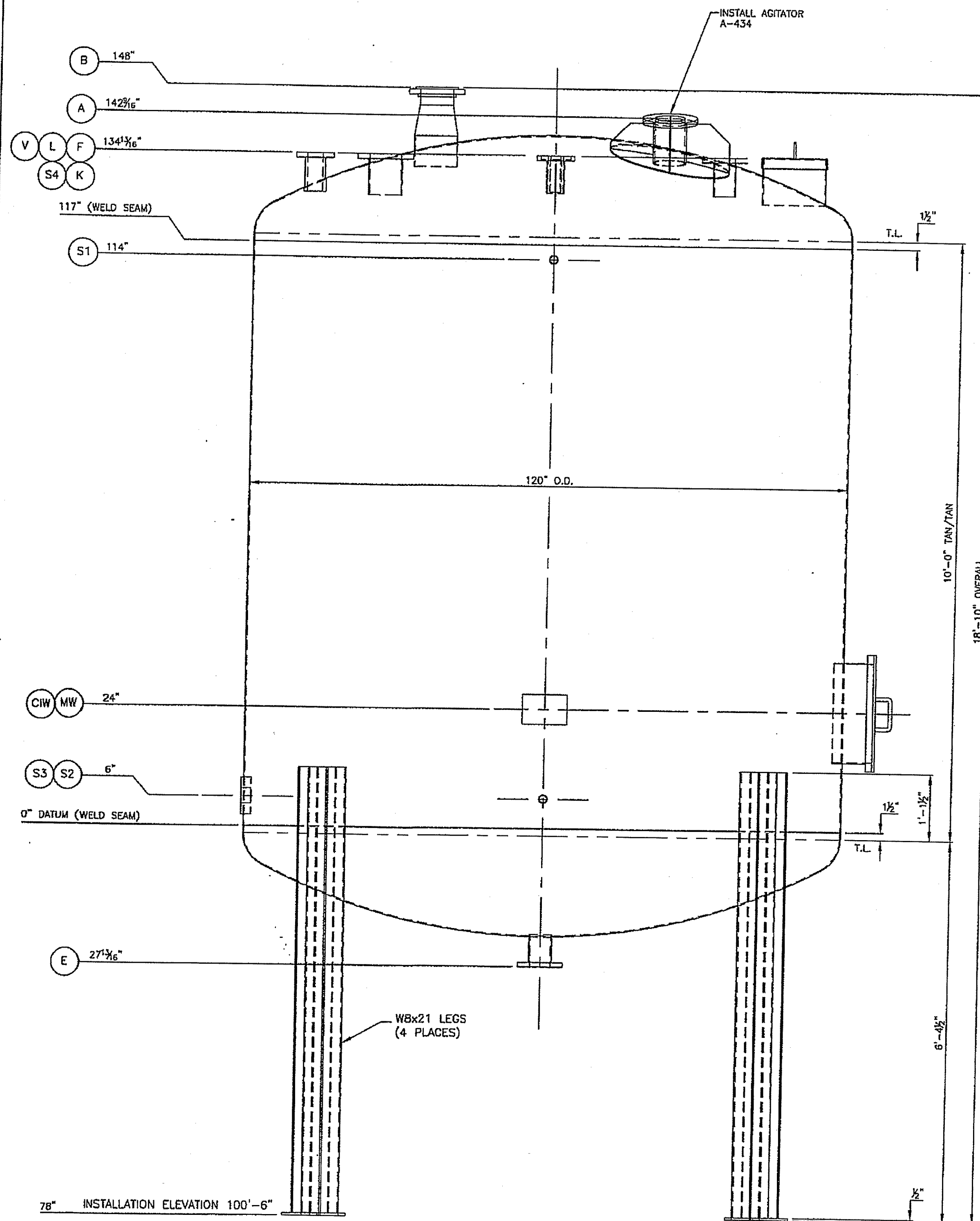
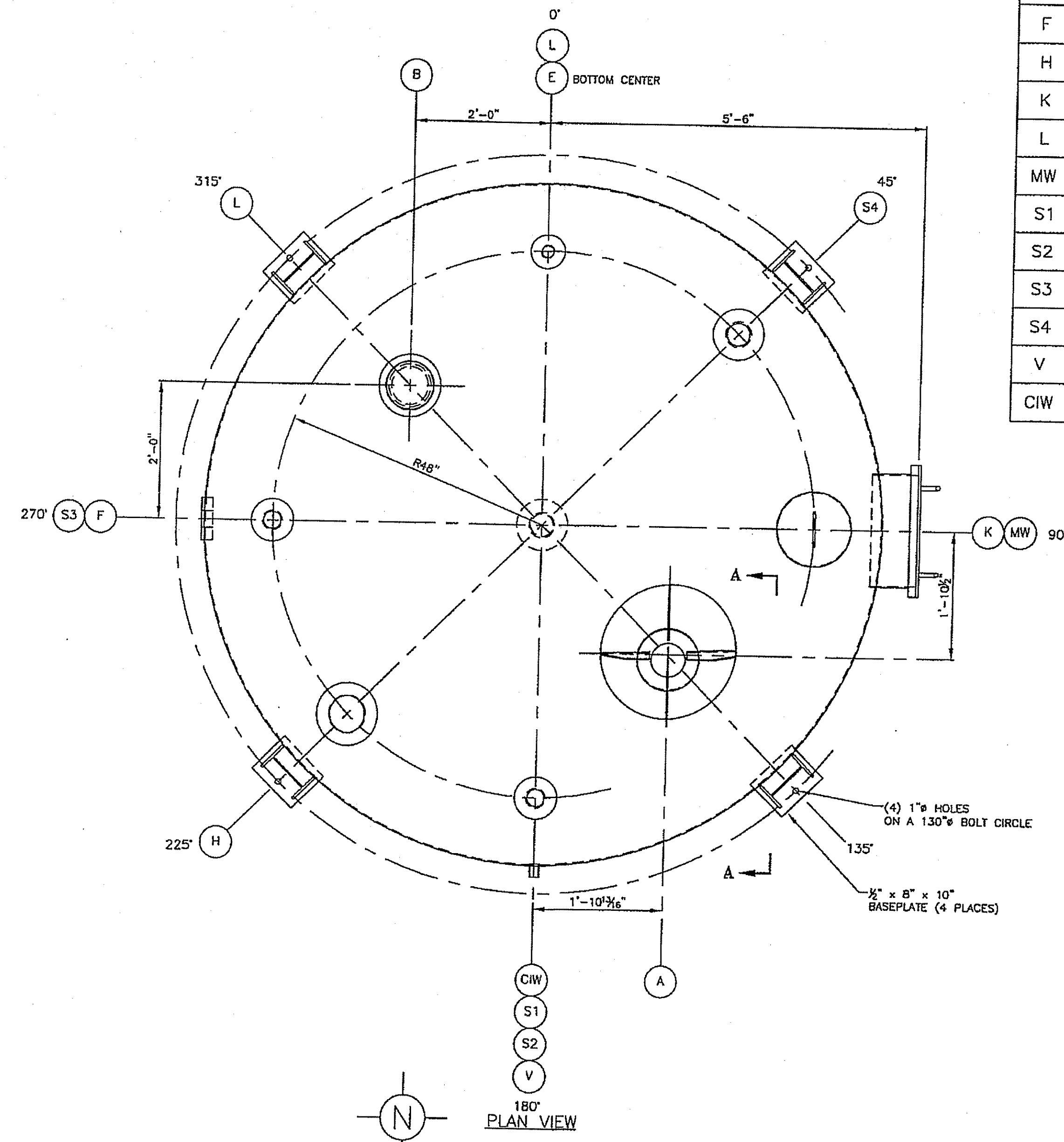


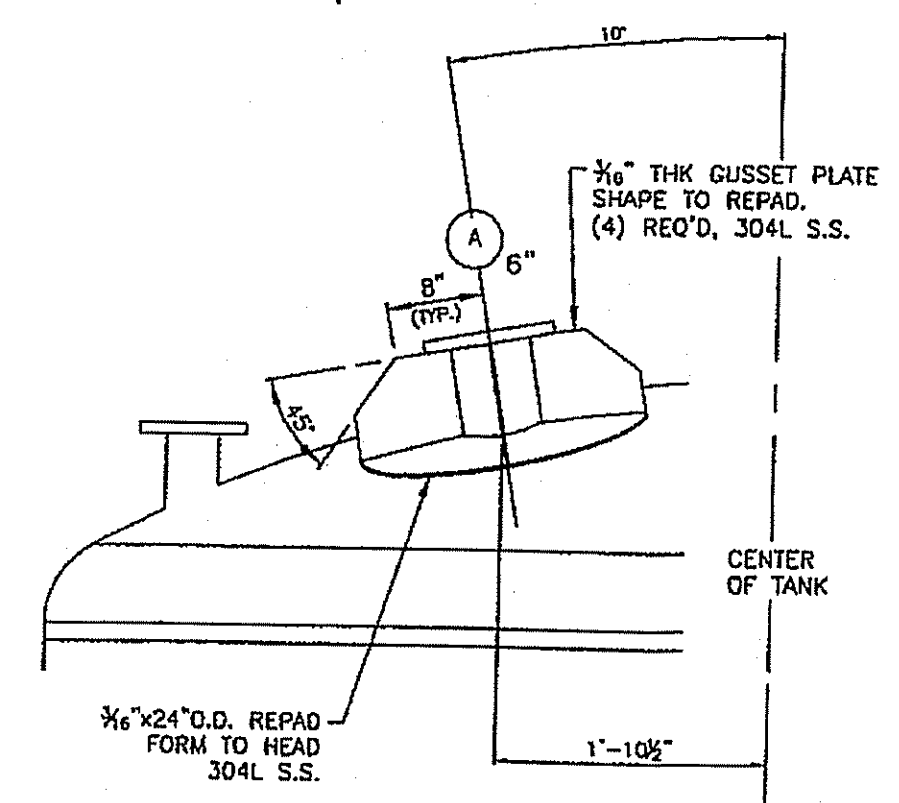
K:\PROJECTS\20000-20049\20023-REG-SAINT_ROSE_LAL_MEC_DWG\MEC496-0-403852 T-435.dwg, T-435, 3/19/2007 2:52:49 PM



ELEVATION VIEW



180° PLAN VIEW



SECTION VIEW A-A
SCALE: NONE

NOZZLE	SIZE	TYPE	FLANGE RATING	FLANGE MATERIAL	PIPE RATING	PIPE AND STUB-END MATERIAL	SERVICE
A	6"	R.F. SLIP-ON SEE SECTION A-A	150#	304L S.S.	SCH 40S	304L S.S.	AGITATOR
B	6"	LAP JOINT W/ STUB-END	150#	C.S.	SCH 10S	304L S.S.	FILTER AID INLET
E	4"	LAP JOINT W/ STUB-END	150#	C.S.	SCH 10S	304L S.S.	EFFLUENT
F	3"	R.F. SLIP-ON	150#	304L S.S.	SCH 10S	304L S.S.	FEED
H	6"	LAP JOINT W/ STUB-END	150#	C.S.	SCH 10S	304L S.S.	HEEL INLET
K	12"	STUB-PIPE	-	-	SCH 10S	304L S.S.	INSPECTION PORT
L	2"	R.F. SLIP-ON	150#	304L S.S.	SCH 40S	304L S.S.	LEVEL TRANSMITTER
MW	20"	-	-	-	-	-	MANWAY
S1	1"	FULL COUPLING THRD	3000#	304L S.S.	-	-	SPARE
S2	1"	FULL COUPLING THRD	3000#	304L S.S.	-	-	SPARE
S3	3"	PAD FLANGE	150#	304L S.S.	-	-	SPARE
S4	4"	LAP JOINT W/ STUB-END	150#	C.S.	SCH 10S	304L S.S.	SPARE
V	3"	R.F. SLIP-ON	150#	304L S.S.	SCH 10S	304L S.S.	VENT
CIW	LARGE	-	-	-	-	-	NAMEPLATE

DESIGN INFORMATION	
DESIGN CODE:	
DESIGN PRESSURE:	ATMOSPHERIC
DESIGN TEMPERATURE:	
WEIGHT EMPTY:	6,000 lb
WEIGHT FULL OF WATER:	66,000 lb
WEIGHT OPERATING:	
INTERIOR VOLUME:	955 cu ft
FINISHES:	
INTERIOR: 1 NA	
EXTERIOR: SHOP PRIME ALL C.S. SURFACES	
	HYDRO TEST PRESSURE:
	0.70

PROPRIETARY AND CONFIDENTIAL
DO NOT REPRODUCE, TRANSMIT OR DISCLOSE THIS
INFORMATION WITHOUT WRITTEN CONSENT OF
CROWN IRON WORKS COMPANY

No.	Revisions	Date	By	Designed By	Date Printed
0	ORIGINAL ISSUE	3-9-07	CIW		

CROWN IRON WORKS CO.
MINNEAPOLIS, MINNESOTA 55440
NOTICE: © 2001 CROWN IRON WORKS COMPANY
THIS DRAWING AND INFORMATION ARE THE PROPERTY OF CROWN
IRON WORKS COMPANY AND ARE NOT TO BE COPIED OR MISUSED.
NOT RESPONSIBLE BEYOND OUR OWN WORK
S.O. NUMBER 11476 CIW FILE No. 403852

TODD & SARGENT
620 Arrowsmith Trail - Ames, Iowa 50010
(515) 232-0442 - Fax: (515) 232-0682



BIO DIESEL FACILITY
-FOR-
RENEWABLE ENERGY GROUP INC.
ST. ROSE, LA.

INSTALLATION DRAWING
T-435
Job Number 20023 Drawing No. MEC496 Rev. No. 0

115017