



MOTOR GENERAL ARRANGEMENT DRAWING

CLIENT	:	Air Products Manufacturing LLC
PROJECT NAME/NO.	:	WEP Renewables
CLIENT PO NO	:	4505608737
HMD DOCUMENT NO	:	HMD-4505608737-B03-01
CLIENT DOCUMENT NO	:	HC09 - EN207124-SNDYN-9V3-00019
HMD PUMP NO	:	839915
EQUIPMENT TAG NO	:	19-P-780

REV	DATE	DESCRIPTION	PREPARED BY	CHECKED BY	APPROVED BY
2	27/10/2022	ISSUE FOR REVIEW	AFS	KW	NW
1	21/07/2022	ISSUE FOR REVIEW	AN	AFS	NW
0	27/05/2022	ISSUE FOR REVIEW	AN	AFS	NW

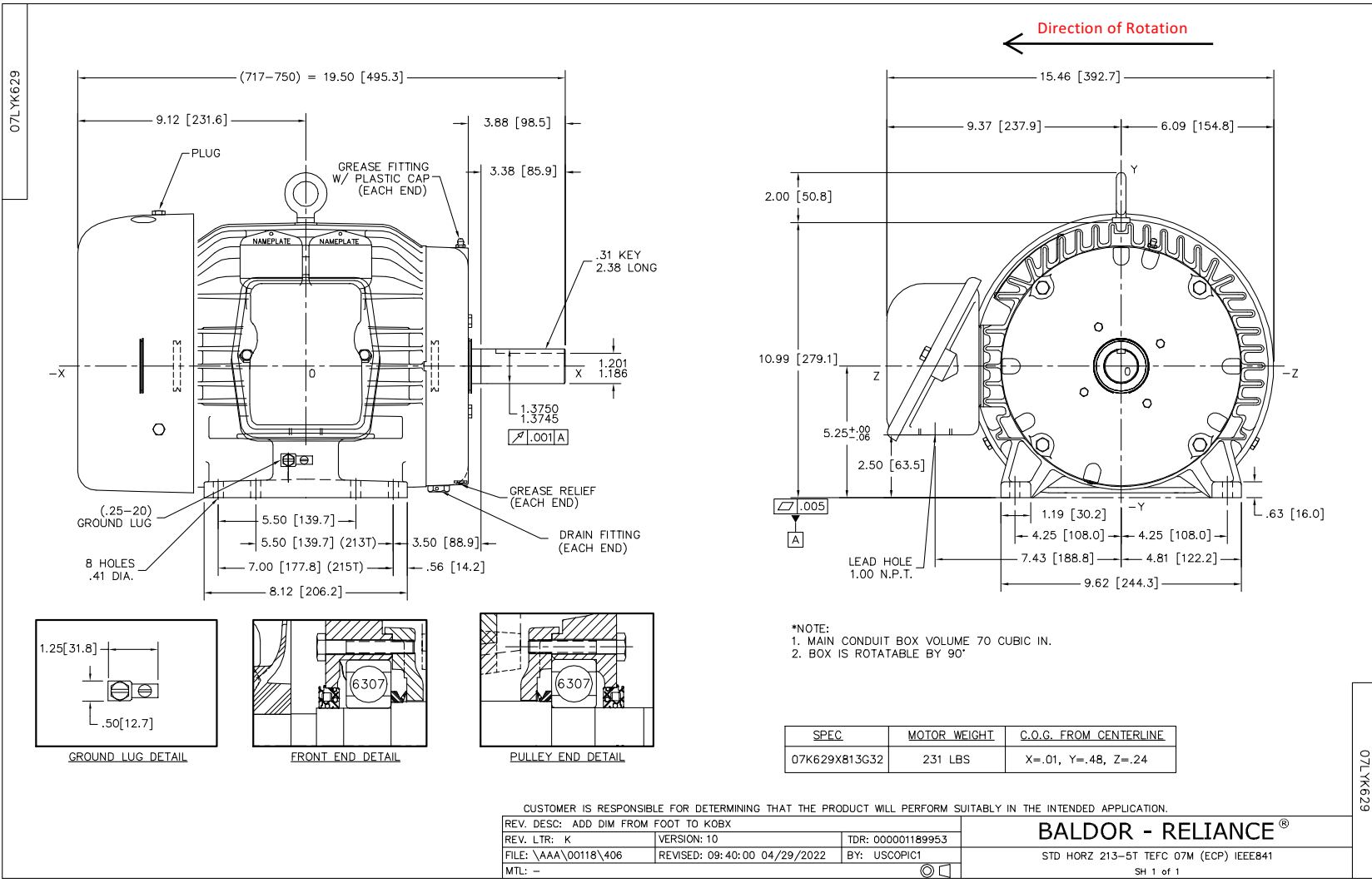
NOTE:



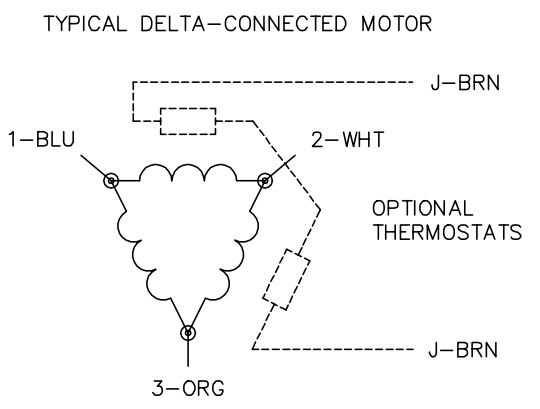
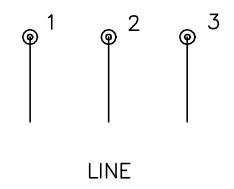
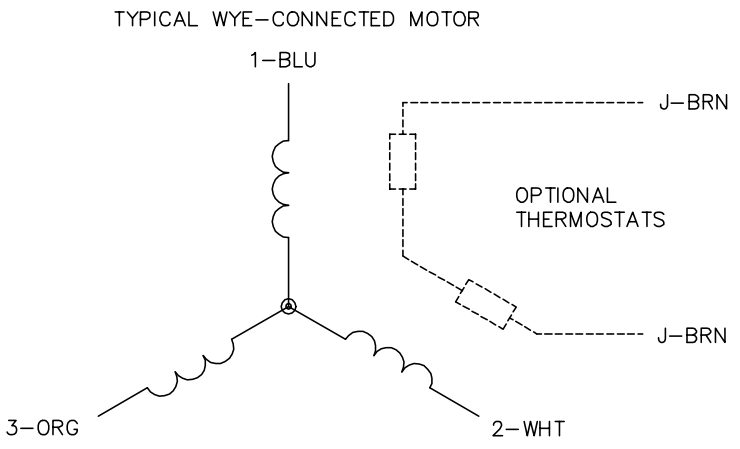
RESOLUTION SHEET

Comment Number	Document Name: Motor General Arrangement Drawing		Revision from which comment first appeared	Comment Status: Open\Closed - (Date Closed:)
	CLIENT COMMENT	HMD RESPONSE	Current Rev:	
1	Comment 6: Indicate Direction of Rotation - Please indicate on the GA	Noted and this has been indicated on the GA.	1	Closed (27/10/2022)
2	Descrpancy in the rpm please check. RPM shall match with the RPM specified in the motor data sheet and Motor Name Plate.	Noted and updated.	1	Closed (27/10/2022)
3	Descrpancy in HP please check	Noted and updated.	1	Closed (27/10/2022)

Tag No.:	19-P-780
Motor HP:	7.5
Motor RPM:	1765
SF:	1.15
Volt/Phase/Frequency:	460 V / 3~ / 60 Hz



CD0006



NOTES:

1. THREE LEAD MOTOR MAY BE EITHER WYE CONNECTED OR DELTA CONNECTED.
2. INTERCHANGE ANY TWO LINE LEADS TO REVERSE ROTATION.
3. OPTIONAL THERMOSTATS ARE PROVIDED WHEN SPECIFIED.
4. ACTUAL NUMBER OF INTERNAL PARALLEL CIRCUITS MAY VARY.
5. LEAD COLORS ARE OPTIONAL. LEADS MUST BE NUMBERED AS SHOWN.

CD0006

REV. DESC: ADD CLASS CONN00000007		
REV. LTR: E	VERSION: 01	TDR: 000001099922
FILE: \AAA\00005\141	REVISED: 10:24:49 02/19/2019	BY: ENBRIRO
MTL: -		© □

BALDOR - RELIANCE®

3PH, SV, 3 LEADS, WYE OR DELTA CONNECTED

SH 1 of 1

Parts list

Part number	Description	Quantity
SA139004	SA 07K629X814	1.000 ea
RA128516	RA 07K629X814	1.000 ea
37FN3002C01	EXFN, PLASTIC, 6.00 OD, 1.155 ID	1.000 ea
HW3201A05	3/8-16 EYEBOLT	1.000 ea
09CB1002A05G	CONDUIT BOX, 1.00 N.P.T. (GRAY)	1.000 ea
RM1017	LEAD SEPERATOR GASKET MODEL 307 1/8" THK	1.000 ea
19XW2520A16	SCREW,1/4-20X1 TAPTITE-II OR ROLOC 91	2.000 ea
HW1001A25	LOCKWASHER 1/4, ZINC PLT .493 OD, .255 I	2.000 ea
11XW1032G06	10-32 X .38, TAPTITE II, HEX WSHR SLTD U	1.000 ea
HW3001B01	BRASS CUP WASHER, FOR #10 SCREW	1.000 ea
10XN2520S06	1/4 20X3/8 HX HD CAP S.S.	1.000 ea
WD1000B16	T&B CX70TN OR L70P TERMINAL LUG	1.000 ea
07EP1119A02G	307 BRG,C.I.FH,GRSR,RLF,DRAIN FITTING,IN	1.000 ea
HW4601B25	INPRO SEAL, 307 BRG, MINI66	1.000 ea
10XN2520A26	1/4-20X 1 5/8 HEX HD	4.000 ea
XY3118A12	5/16-18 HEX NUT DIRECTIONAL SERRATION	4.000 ea
HW4500A32	FIT./EXT 1698-B (ALEMITE)GREASE FITTING	1.000 ea
HA4051A00	PLASTIC CAP FOR GREASE FITTING	1.000 ea
HW4500A17	317400 ALEMITE GREASE RELIEF	1.000 ea
HA4010A01	T-DRAIN PLUG,416 S.S.,W/ 1/4-28 THD & .0	1.000 ea
HA3104A32	THRUBOLT- 5/16-18 X12.750	4.000 ea
HW5100A08	W3118-035 WVY WSHR (WB)	1.000 ea
07EP1119A01G	307 BRG,BRG RET,GRSR,RLF,DRAIN FITTING,I	1.000 ea
HW4601B25	INPRO SEAL, 307 BRG, MINI66	1.000 ea
HW4500A01	1641B(ALEMITE)400 UNIV, GREASE FITT	1.000 ea
HA4051A00	PLASTIC CAP FOR GREASE FITTING	1.000 ea
HW4500A17	317400 ALEMITE GREASE RELIEF	1.000 ea
10XN2520A26	1/4-20X 1 5/8 HEX HD	4.000 ea
HA4010A01	T-DRAIN PLUG,416 S.S.,W/ 1/4-28 THD & .0	1.000 ea
07FH1001A01G	SPL FAN HOUSING, 307, W/GREASER, GRAY EP	1.000 ea
10XN2520A28	1/4-20X 1 3/4 HEX HD	3.000 ea

WD4100A02	DP-1000 HEYCO PLUG OR 62MP1000 MICRO PL	1.000 ea
12CB1503G	CONDUIT BOX CAST. (GRAY)	1.000 ea
09GS1013A01	09 GS FOR 09CB3501 LID - BLACK NEOPRENE	1.000 ea
10XN2520A12	1/4-20 X 3/4 HEX HEAD CAP	2.000 ea
MJ5004A59	ADHESIVE LOCTITE #401 SURFACE INSENSITIV	0.010 ea
HW2501F21	KEY, 5/16 SQ X 2.375	1.000 ea
HA7000A02	KEY RETAINER RING, 1 1/8 DIA, 1 3/8 DIA	1.000 ea
MJ5001A27	32220KN GRAY SEALER *MIN BUY 4 QTS=1GAL	0.001 qt
MJ1000A73	INPRO P-80 ASSEMBLY LUB./ 1 QT. CONTAIN	0.001 qt
85XU0407S04	4X1/4 U DRIVE PIN STAINLESS	4.000 ea
LB1115N	LABEL,LIFTING DEVICE (ON ROLLS)	1.000 ea
LT0019A00	MOTOR NO-LOAD PERFORMANCE DATA SHEET	1.000 ea
WD1000D21	TRM,T&B #B71M,RING,18-14,.25,NON-INSL	3.000 ea
MJ1000A02	GREASE, MOBIL POLYREX EM - 124047	0.050 lb
51XB1214A20	12-14X1.25 HXWSSLD SERTYB	1.000 ea
MG1025N19	WILKOFAS, 778.50, RELIANCE BLUE-GREEN	0.036 ga
LB1119N	WARNING LABEL	1.000 ea
LB1002N	LABEL,MARINE DUTY (ON ROLLS)	1.000 ea
LB1449	DIV-2/NEC WARNING LABEL	1.000 ea
LC0006	CONNECTION LABEL	1.000 ea
NP3235E	SS IEEE841 DIV-2 UL CSA-C US EEV PREM	1.000 ea
NP3186E	SS IEEE841 INV AUX DATA INFORMATION	1.000 ea
07PA1011	PKG GRP, 07 CAST IRON PK1181	1.000 ea
10XL3808A28	3/8 X 1 3/4" LAG SCREW	2.000 ea
MN416A01	TAG-INSTAL-MAINT no wire (2100/bx) 4/22	1.000 ea