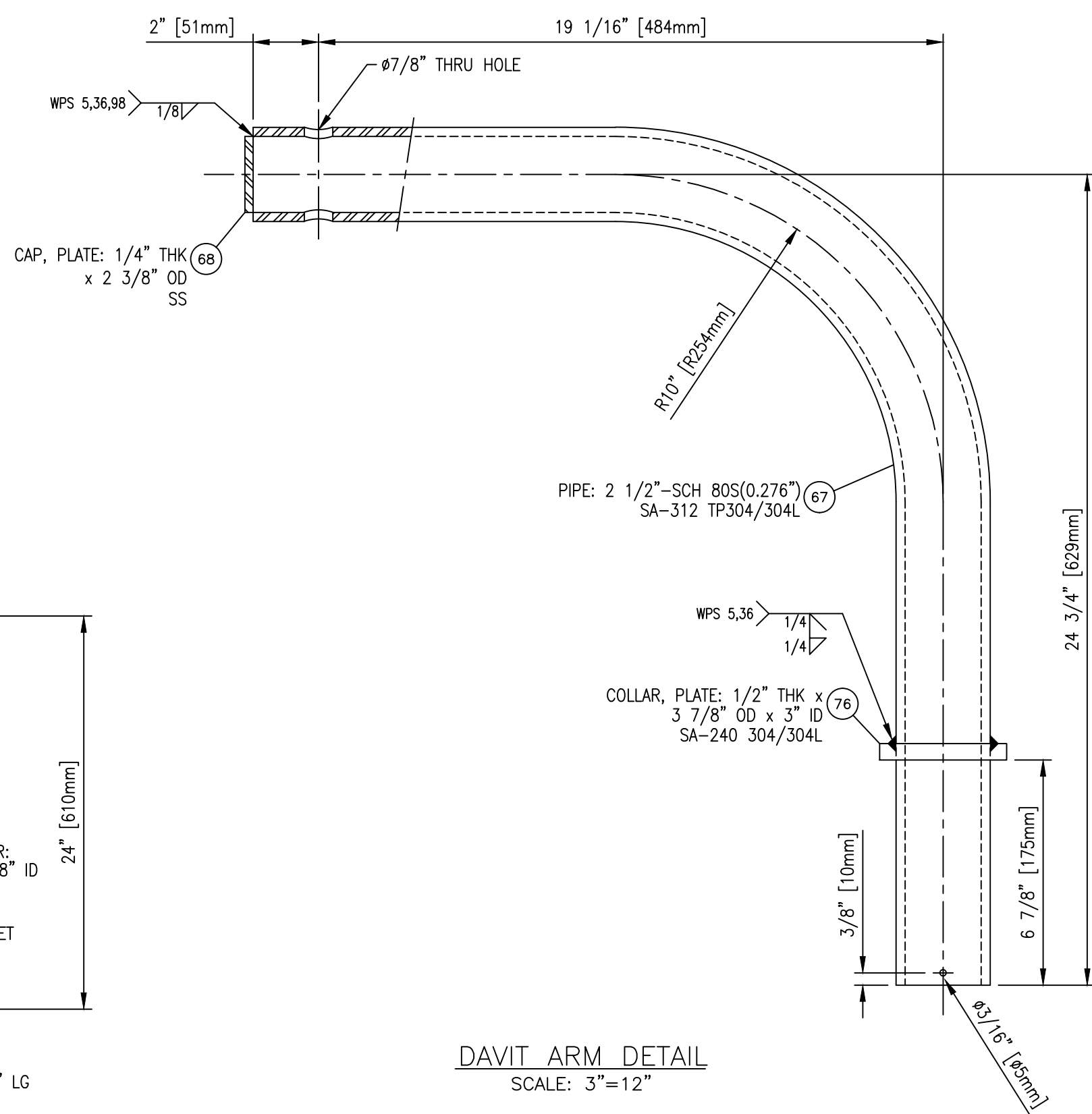
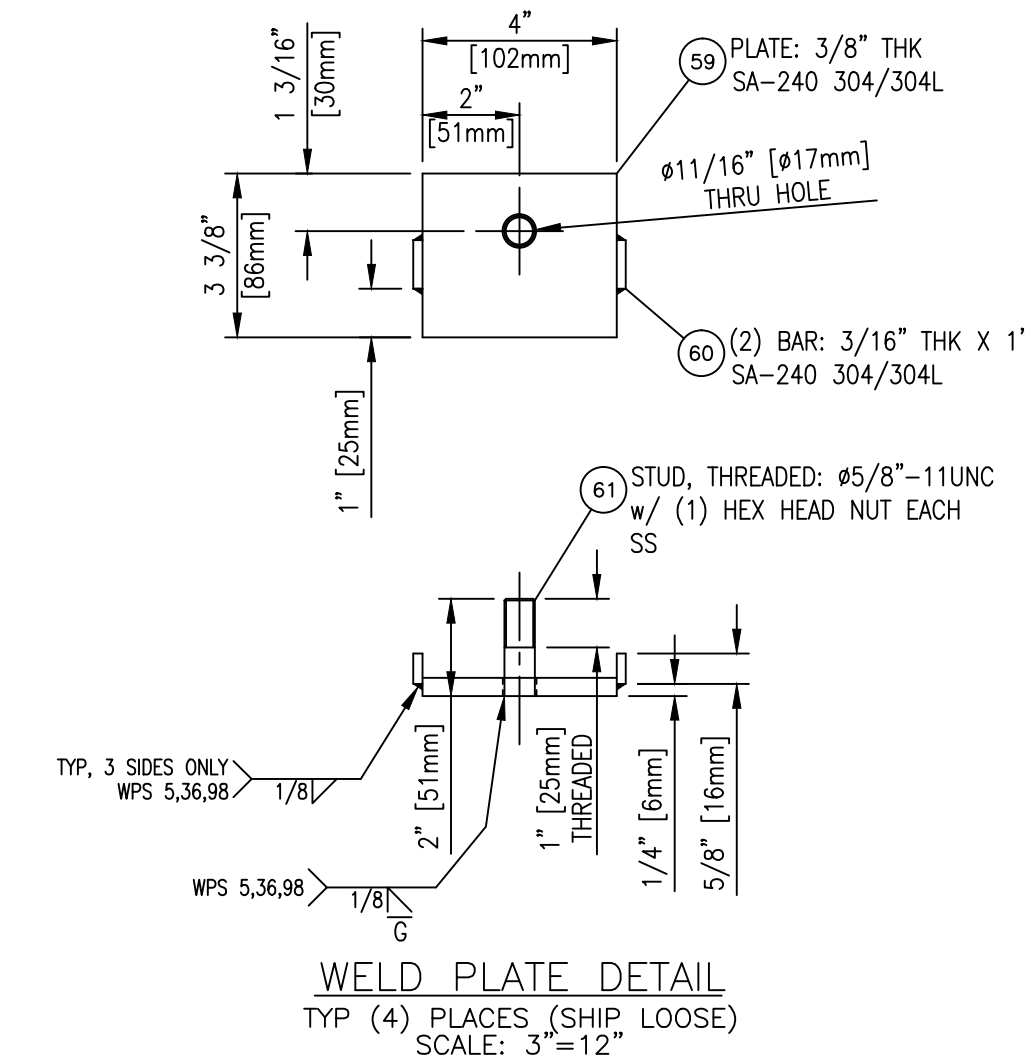


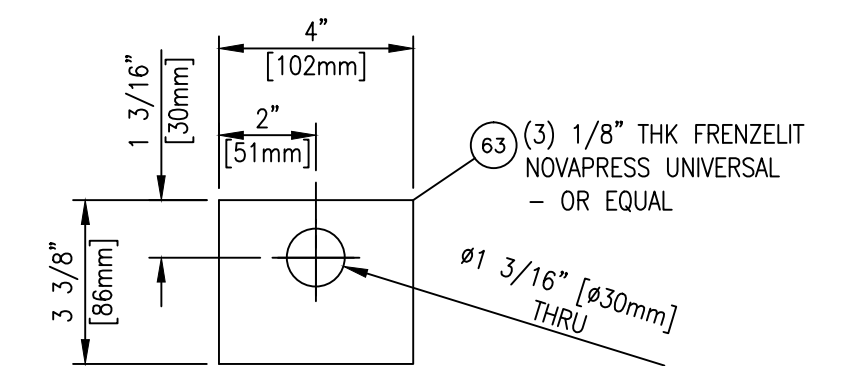
MANWAY 'M1' DAVIT ASSEMBLY DETAIL
SCALE: 1 1/2"=12"



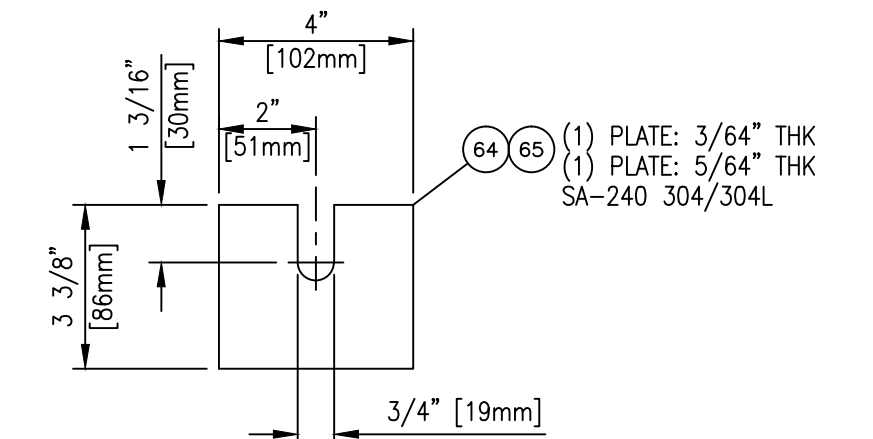
DAVIT ARM DETAIL
SCALE: 3"=12"



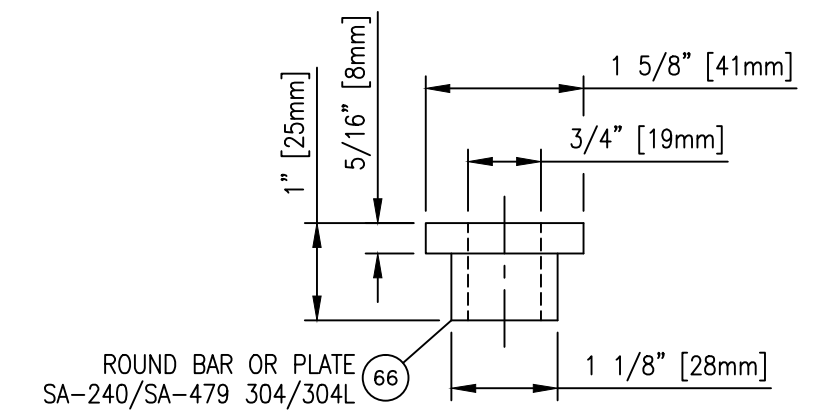
WELD PLATE DETAIL
TYP (4) PLACES (SHIP LOOSE)
SCALE: 3"=12"



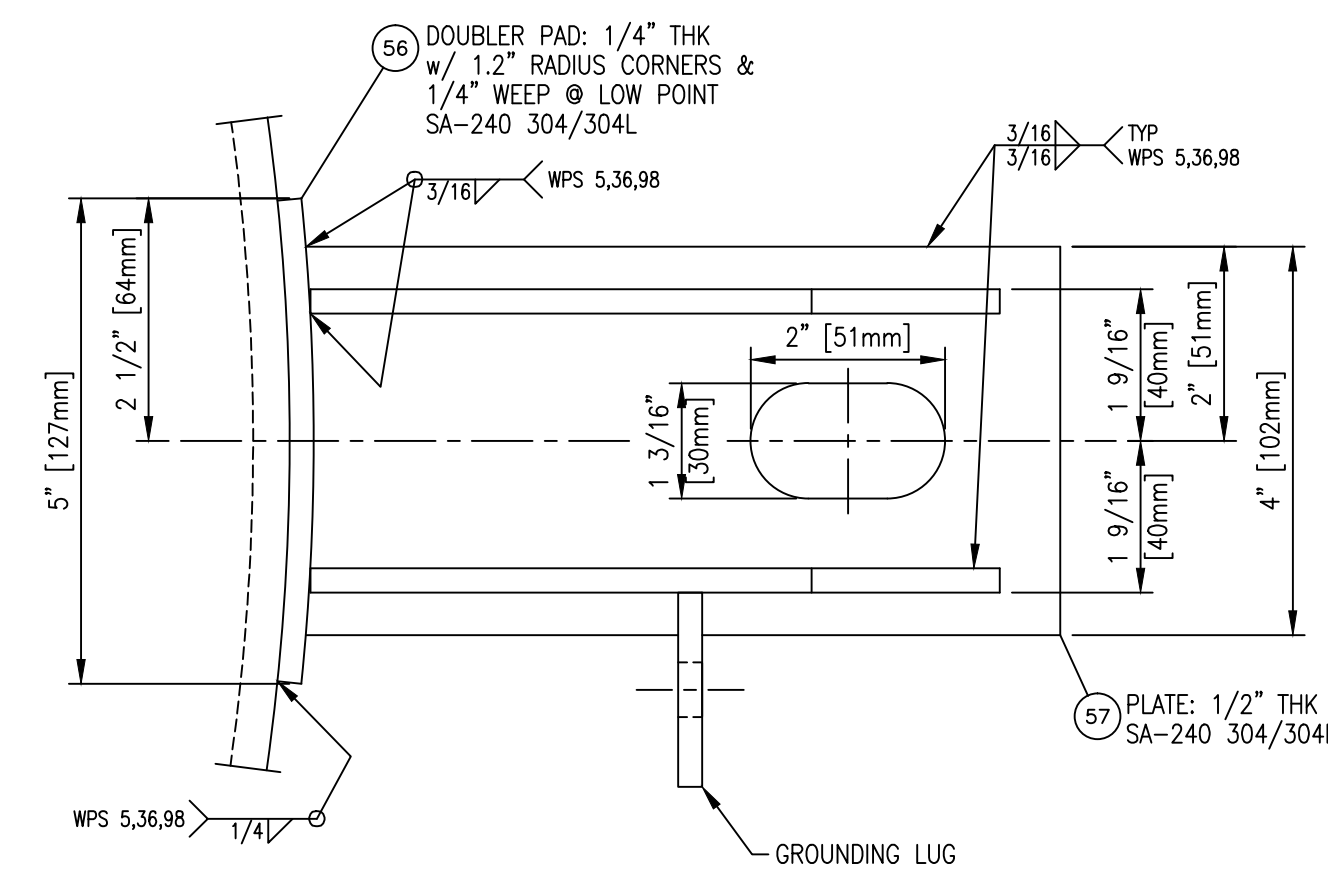
INSULATION PLATE DETAIL
TYP (4) PLACES (SHIP LOOSE)
SCALE: 3"=12"



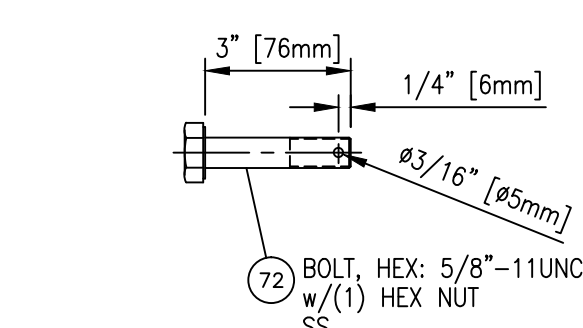
ADJUSTING PLATE DETAIL
TYP (4) PLACES (SHIP LOOSE)
SCALE: 3"=12"



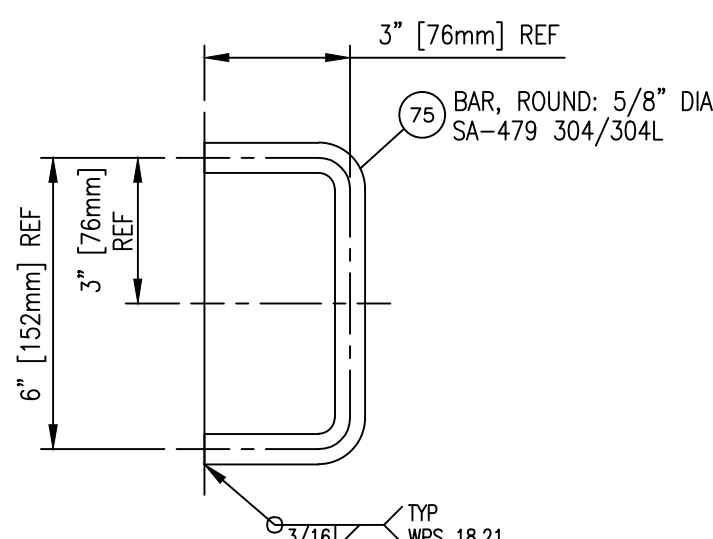
SUPPORT LUG BUSHING DETAIL
TYP (4) PLACES (SHIP LOOSE)
SCALE: 6"=12"



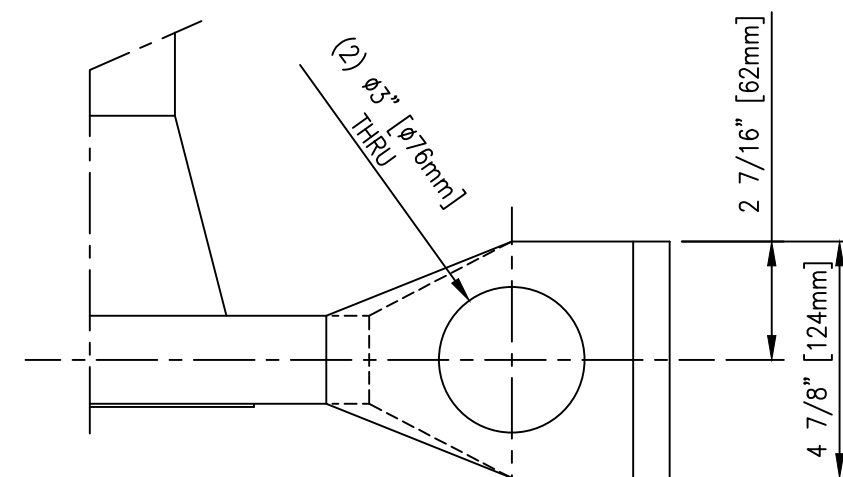
SUPPORT LUG DETAIL
TYP (4) PLACES (SHIP LOOSE)
SCALE: 6"=12"



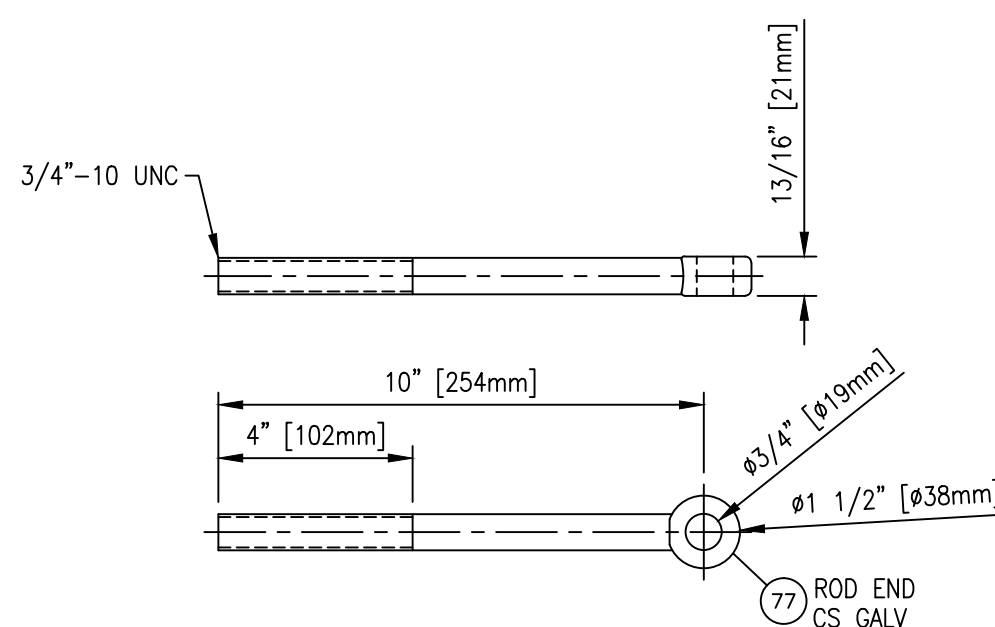
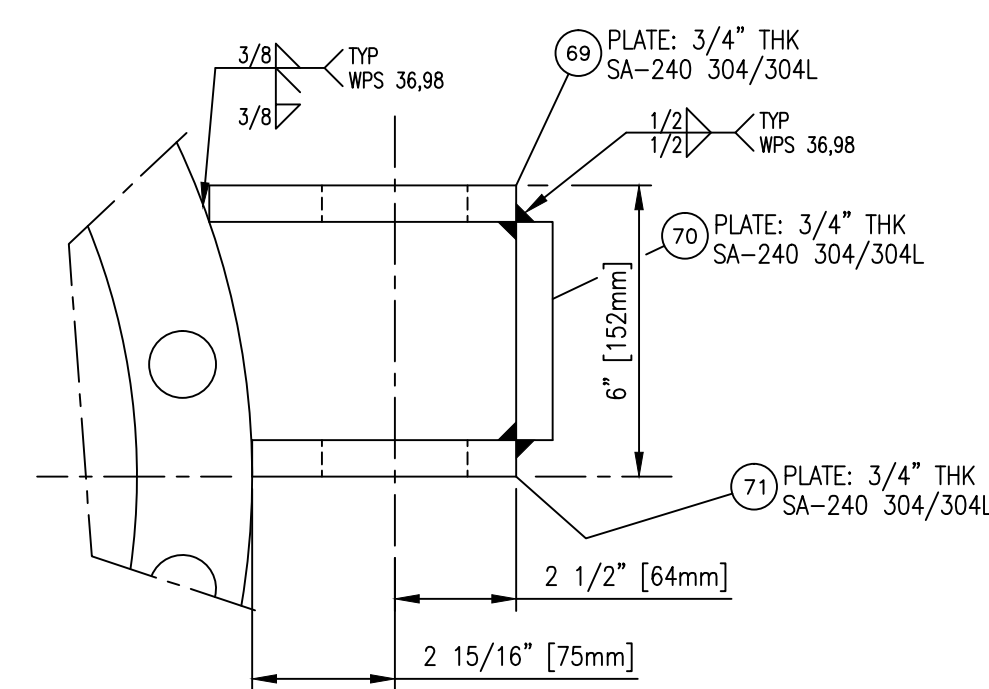
COVER CLIP BOLT DETAIL
SCALE: 3"=12"



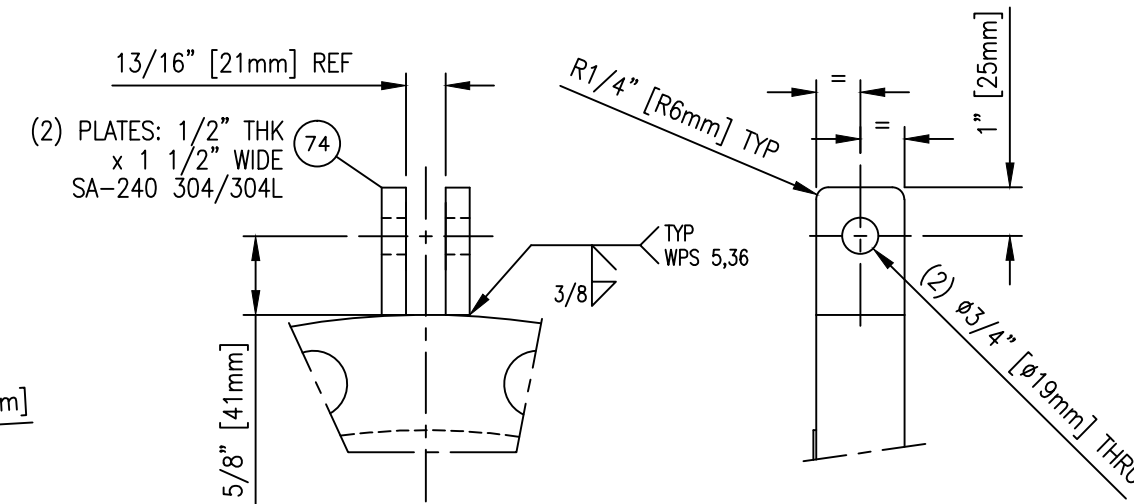
HANDLE DETAIL
TYP (2) PLACES
SCALE: 3"=12"



DAVIT SOCKET DETAIL
SCALE: 3"=12"



ROD END DETAIL
SCALE: 3"=12"



COVER CLIP DETAIL
SCALE: 3"=12"

CERTIFIED/SHOP PRINT
WARD TANK AND HEAT EXCHANGER CORP
By: JON WATT
Date: 8/11/2015
WIC REQUESTS THAT DRAWINGS BE RETURNED (ONLY IF REQUIRED) IN USABLE COPY FORM ONLY. MODIFIED DRAWINGS MUST BE RETURNED IMMEDIATELY TO WIC FOR FABRICATION UPDATE.

REV NO.	DATE	DESCRIPTION	BY
5	8/25/2015	NO CHANGES THIS PAGE / RE-ISSUE FOR FAB.	JRW
4	8/14/2015	NO CHANGES THIS PAGE / ISSUE FOR FAB.	JRW
3	8/11/2015	REVISED PER CUSTOMER COMMENTS /ISSUE FOR FAB.	DSG
2	7/16/2015	REVISED PER CUSTOMER COMMENTS /ISSUE FOR FAB.	DSG
1	5/19/2015	REVISED PER CUSTOMER COMMENTS / FOR APPROVAL	DSG
0	3/2/2015	FOR CUSTOMER APPROVAL	JRW

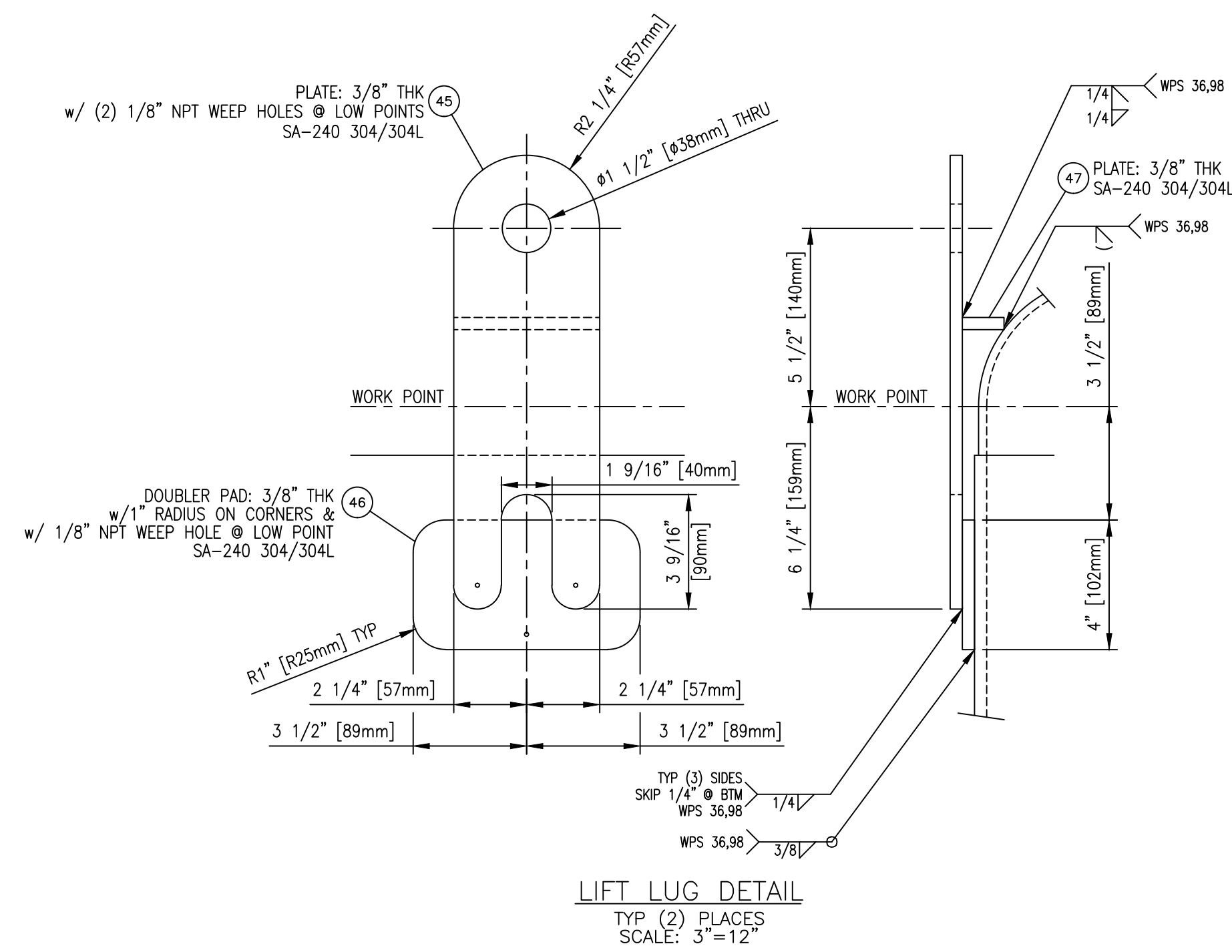
THIS DRAWING IS THE PROPERTY OF WARD TANK AND HEAT EXCHANGER CORP ("WARD") AND THE BELOW NAMED CUSTOMER. THIS DRAWING IS ONLY TO BE USED IN REFERENCE TO WORK PROPOSED OR CONTRACTED BY EITHER WARD OR THE BELOW NAMED CUSTOMER AND ITS AFFILIATES AND/OR ON BEHALF OF WARD OR THE BELOW NAMED CUSTOMER AND ITS AFFILIATES. IT MUST NOT BE REPRODUCED OR SUBMITTED TO OUTSIDE PARTIES WITHOUT THE WRITTEN PERMISSION FROM WARD OR FROM THE BELOW NAMED CUSTOMER.

WARD TANK AND HEAT EXCHANGER CORP
6670 E. HARRIS BLVD.
CHARLOTTE, NC 28215

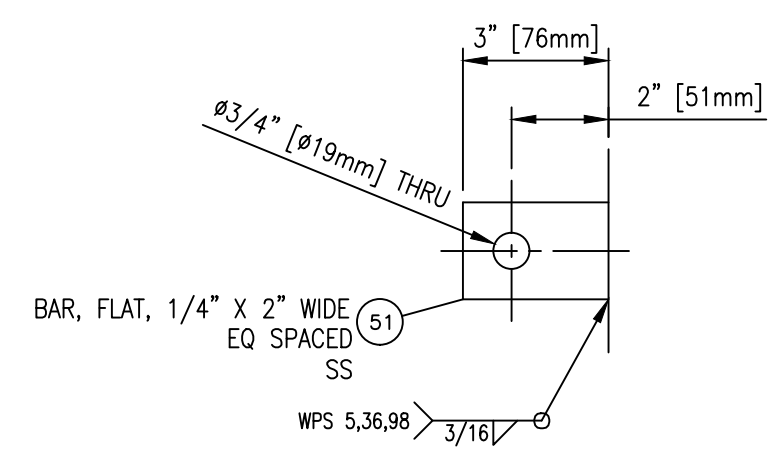
CUSTOMER: EVONIK CORP THEODORE, AL PURCHASE ORDER NUMBER: 4700898293

TITLE: 48" ID X 84" NON-O2 CONTAINING KNOCK-OUT POT

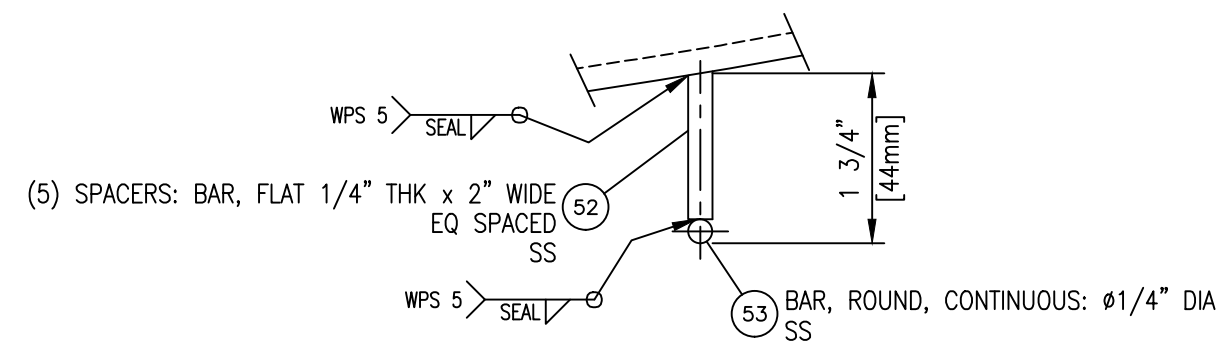
EQUIPMENT NO.	V-9452	SCALE	AS NOTED	NO REQ'D	1
APPROVED BY	JRW	DATE	7/16/2015	DRAWING NUMBER	REV. NO. 5
DRAWN BY	DSG	DATE	2/27/2015	2015-WC-9195	SHEET 2 OF 3



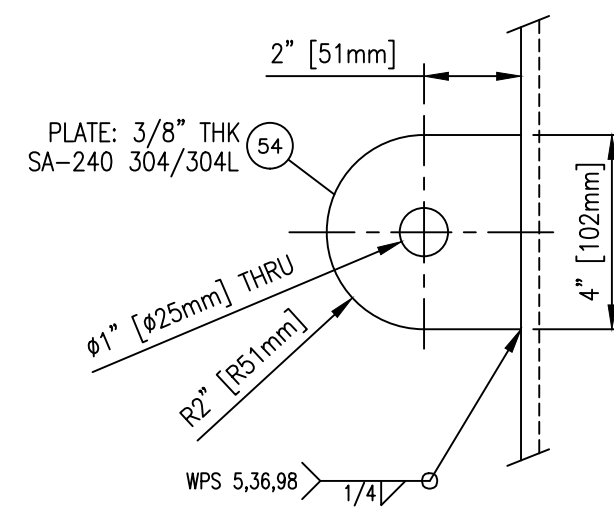
LIFT LUG DETAIL
TYP (2) PLACES
SCALE: 3"=12"



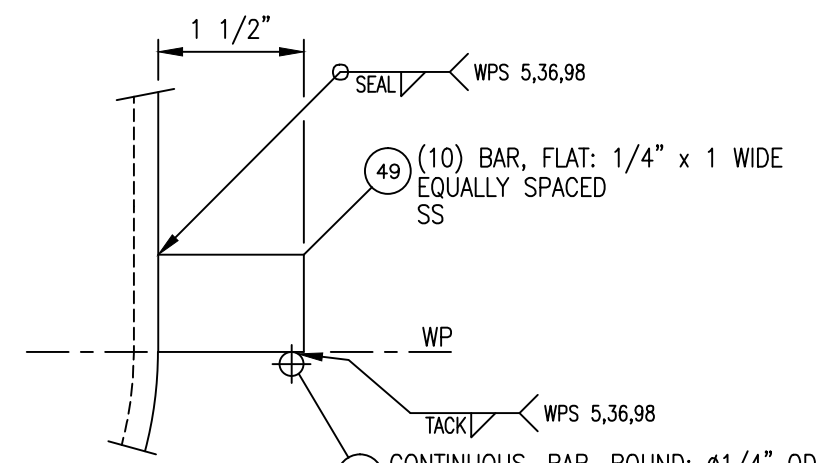
INSULATION CLIP DETAIL
TYP (9) PLACES
SCALE: 6"=12"



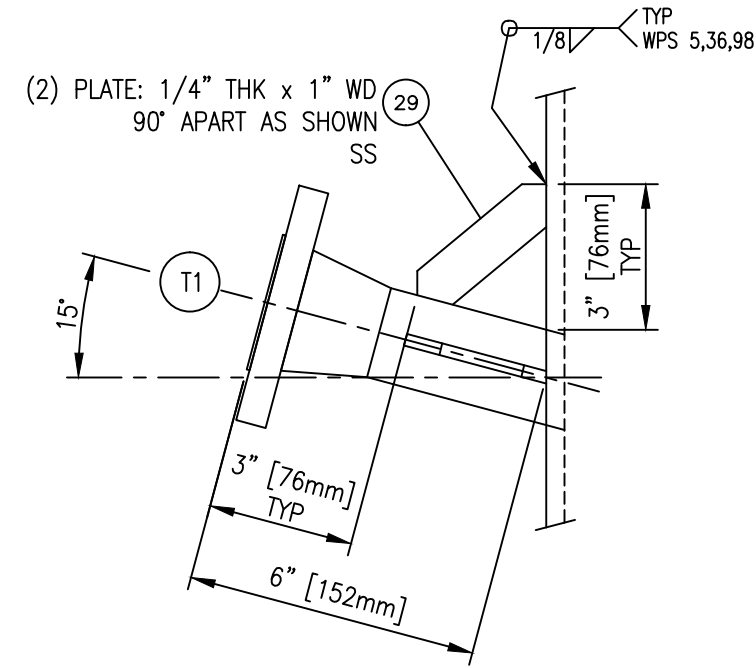
BTM HEAD INSULATION RING DETAIL
SCALE: 6"=12"



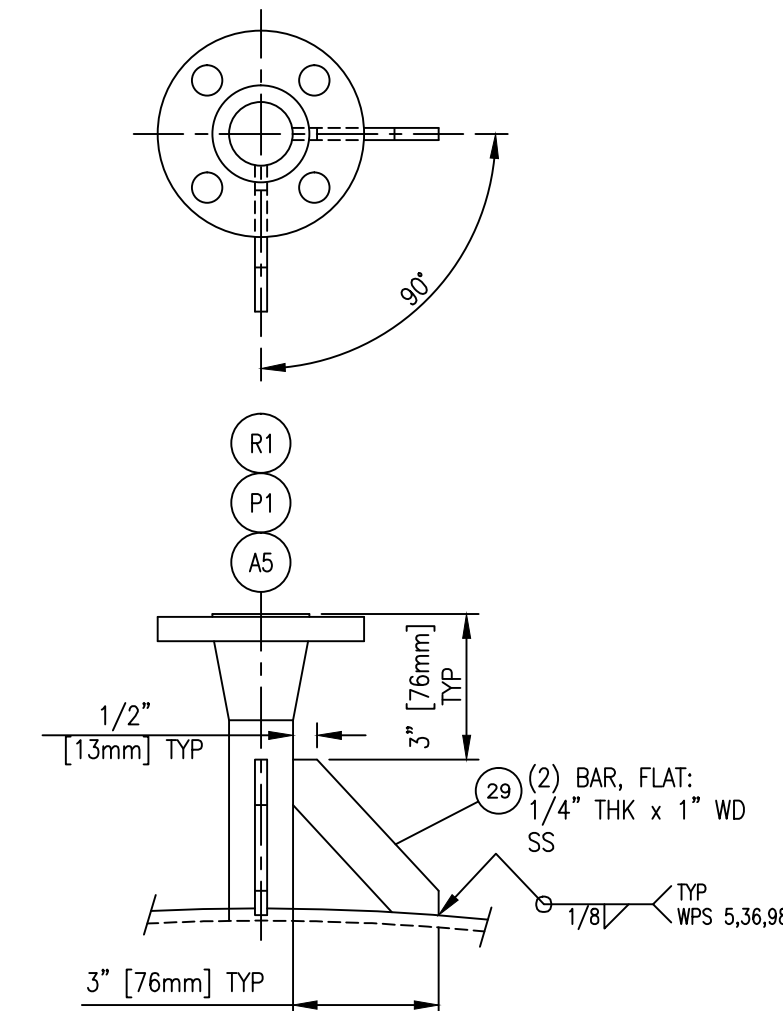
TAILING LUG DETAIL
SCALE: 3"=12"



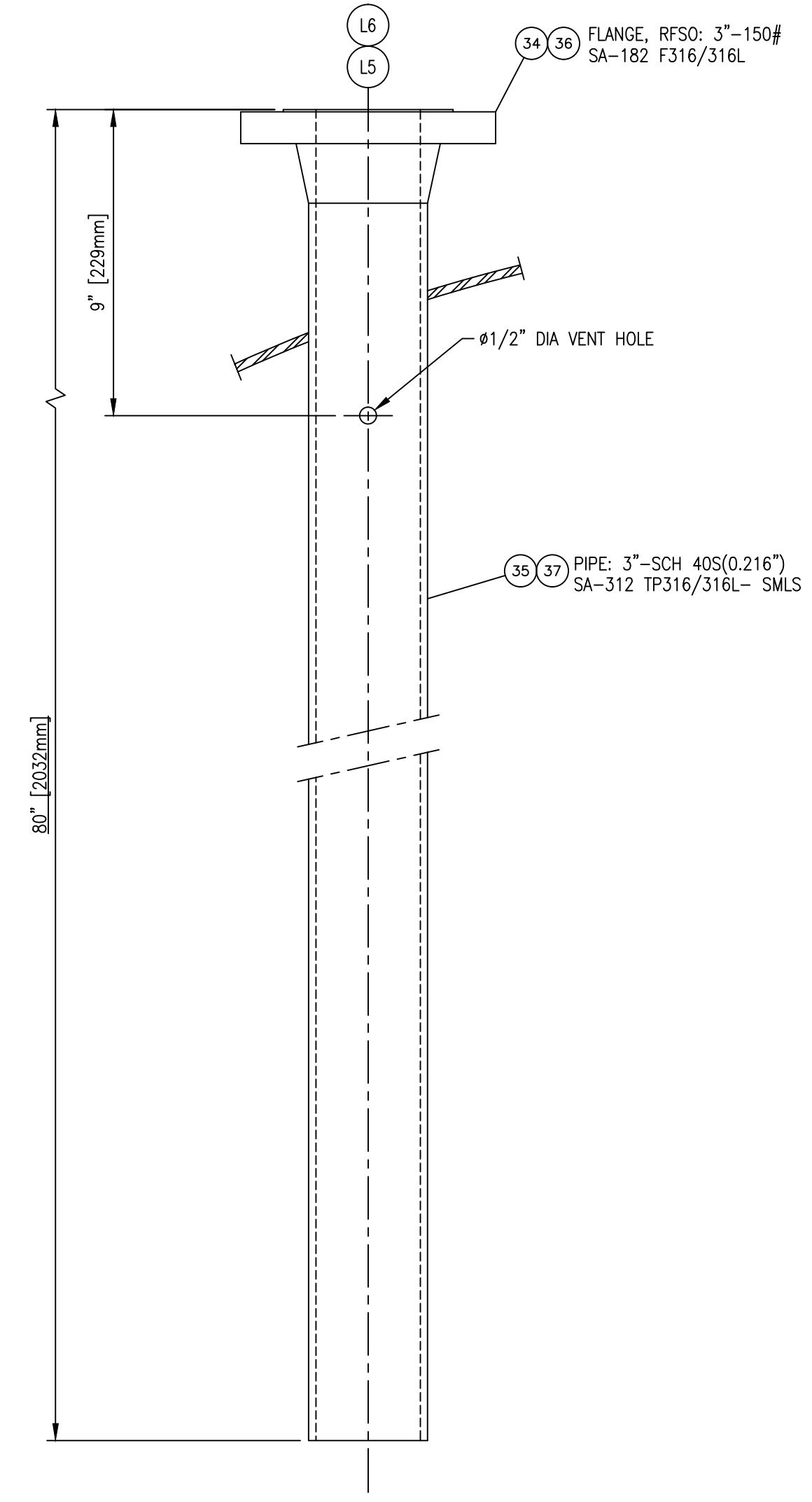
INSULATION RING DETAIL
TYP (2) PLACES
SCALE: 6"=12"



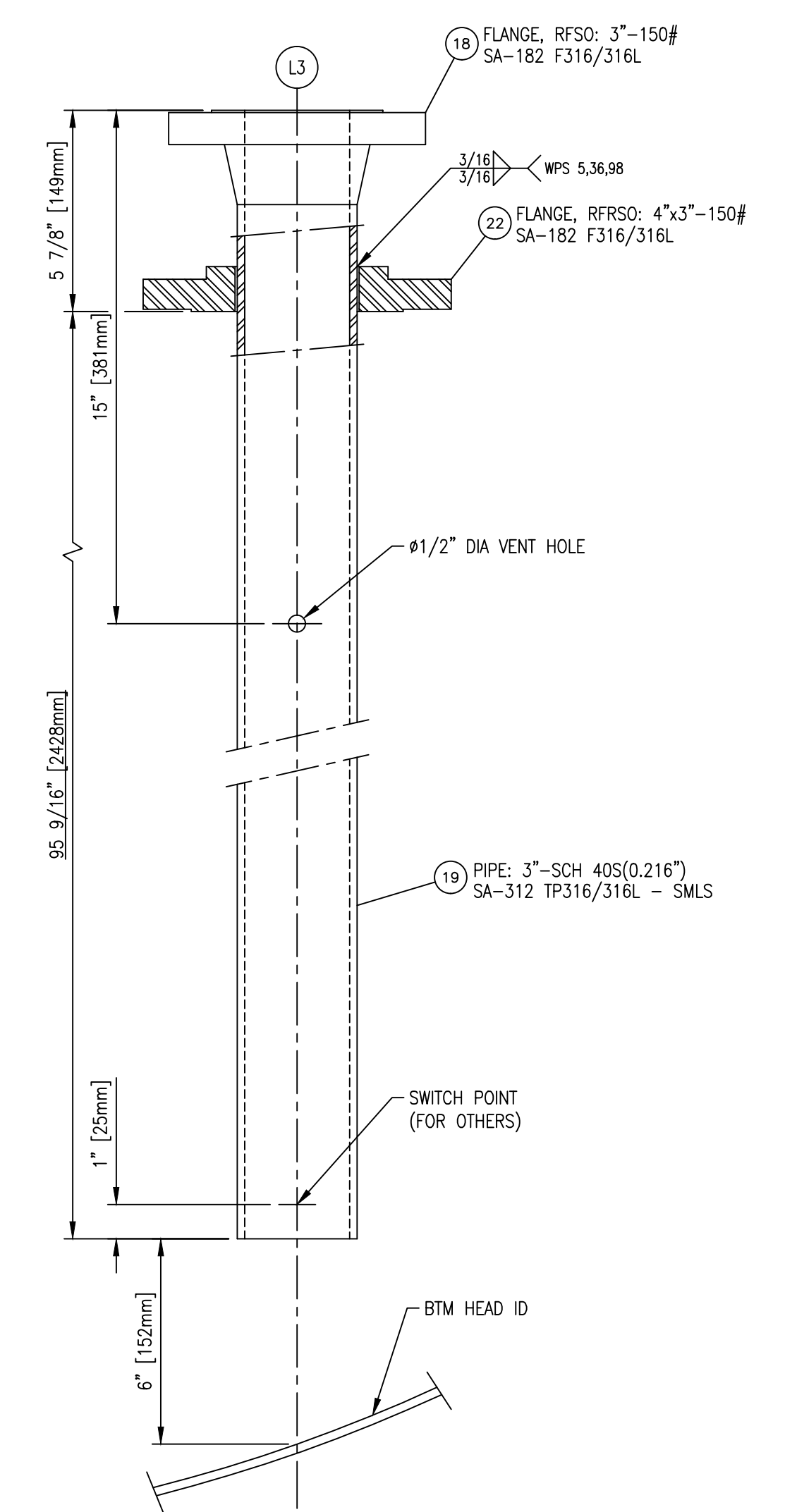
NOZZLE 'T1' GUSSET DETAIL
SCALE: 3"=12"



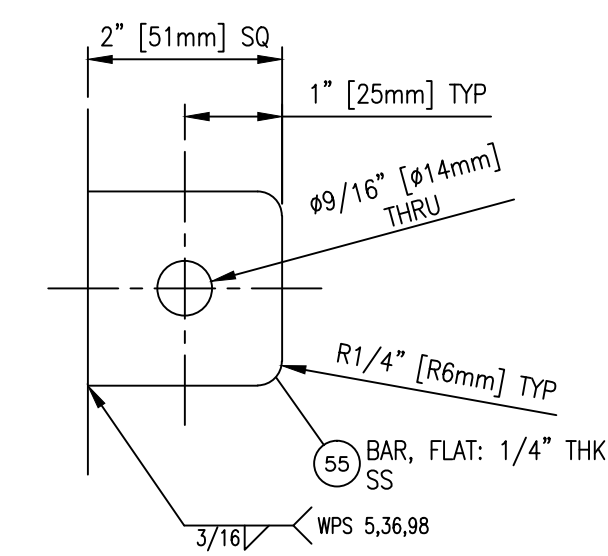
NOZZLE GUSSET DETAIL
SCALE: 3"=12"



NOZZLE 'L5' & 'L6' DETAIL
SCALE: 3"=12"



NOZZLE 'L3' DETAIL
SCALE: 3"=12"



GROUNDING CLIP DETAIL
TYP (2) PLACES
SCALE: 6"=12"

CERTIFIED/SHOP PRINT
WARD TANK AND HEAT EXCHANGER CORP
By: JOHN WYATT
Date: 8/21/2015

WTC REQUESTS THAT DRAWINGS BE RETURNED ONLY IF REQUIRED IN HARD COPY FORM ONLY. MODIFIED DRAWINGS MUST BE RETURNED IMMEDIATELY TO WTC FOR FABRICATION UPDATE.

REV NO.	DATE	DESCRIPTION	BY
5	8/25/2015	NO CHANGES THIS PAGE / RE-ISSUE FOR FAB.	JRW
4	8/14/2015	REVISED PER CUSTOMER COMMENTS /ISSUE FOR FAB.	JRW
3	8/11/2015	REVISED PER CUSTOMER COMMENTS /ISSUE FOR FAB.	DSG
2	7/16/2015	REVISED PER CUSTOMER COMMENTS /ISSUE FOR FAB.	DSG
1	5/19/2015	REVISED PER CUSTOMER COMMENTS / FOR APPROVAL	DSG
0	3/2/2015	FOR CUSTOMER APPROVAL	JRW

THIS DRAWING IS THE PROPERTY OF WARD TANK AND HEAT EXCHANGER CORP ("WARD") AND THE BELOW NAMED CUSTOMER. THIS DRAWING IS ONLY TO BE USED IN REFERENCE TO WORK PROPOSED OR CONTRACTED BY EITHER WARD OR THE BELOW NAMED CUSTOMER AND ITS AFFILIATES AND/OR ON BEHALF OF WARD OR THE BELOW NAMED CUSTOMER AND ITS AFFILIATES. IT MUST NOT BE REPRODUCED OR SUBMITTED TO OUTSIDE PARTIES WITHOUT THE WRITTEN PERMISSION FROM WARD OR FROM THE BELOW NAMED CUSTOMER.

WARD TANK AND HEAT EXCHANGER CORP
6670 E. HARRIS BLVD.
CHARLOTTE, NC 28215

CUSTOMER: EVONIK CORP THEODORE, AL PURCHASE ORDER NUMBER: 4700898293

TITLE: 48" ID X 84" NON-02 CONTAINING KNOCK-OUT POT

EQUIPMENT NO.	V-9452	SCALE	AS NOTED	NO REQ'D	1
APPROVED BY	JRW	DATE	2/16/2015	DRAWING NUMBER	REV. NO. 5
DRAWN BY	DSG	DATE	2/27/2015	2015-WC-9195	SHEET 3 OF 3