

DRY WT. PER 1/2" BAY: 82,800 [37,560 Kg]	FLOODED WT. PER 1/2" BAY: 90,840 [41,205 Kg]	SEISMIC FORCE AT 0.182g	WIND LOADING-27 PSF	SNOW LOAD-30 PSF			
COLUMN LOAD PER COLUMN (KIPS)	DRY FLOODED	WIND LOAD HORIZONTAL -Y	WIND LOAD HORIZONTAL -X	SEISMIC LOAD HORIZONTAL -Y	SEISMIC LOAD HORIZONTAL -X	SNOW LOAD -Y	
COLUMN "A"	8.0 [3629]	11.6 [5262]	3.2 [1452]	2.8 [1179]	5.0 [2268]	3.0 [1361]	2.4 [1089]
COLUMN "B"	13.7 [6214]	15.1 [6849]	6.6 [2994]	5.4 [2485]	6.6 [2994]	2.8 [1315]	4.9 [2223]
COLUMN "C"	8.0 [3629]	7.7 [3493]	3.2 [1452]	2.8 [1179]	3.2 [1452]	1.9 [862]	2.4 [1089]
PUMP SKID PER ANCHOR	2.2 [998]	2.5 [1134]	0.5 [227]	0.7 [317]	0.4 [181]	0.6 [272]	0.7 [317]

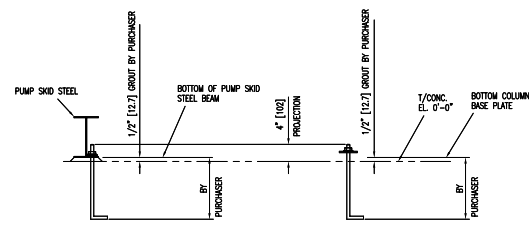
FOUNDATION LOADS CALCULATED PER IRC 2000  
 WIND: V<sub>35</sub> = 100 MPH  
 TERRAIN EXPOSURE = C  
 OCCUPANCY CATEGORY II

SEISMIC:  
 OCCUPANCY CATEGORY III  
 SITE CLASS D  
 S<sub>s</sub> = 0.412g  
 S<sub>1</sub> = 0.18g  
 S<sub>0.1</sub> = 0.15  
 SNOW: P<sub>g</sub> = 30 PSF  
 OCCUPANCY CATEGORY II  
 C<sub>e</sub> = 1.0  
 C<sub>f</sub> = 1.0

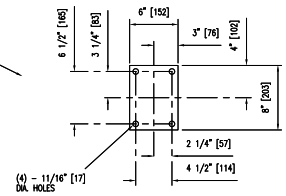
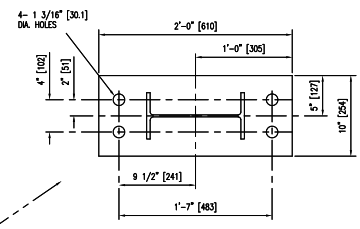
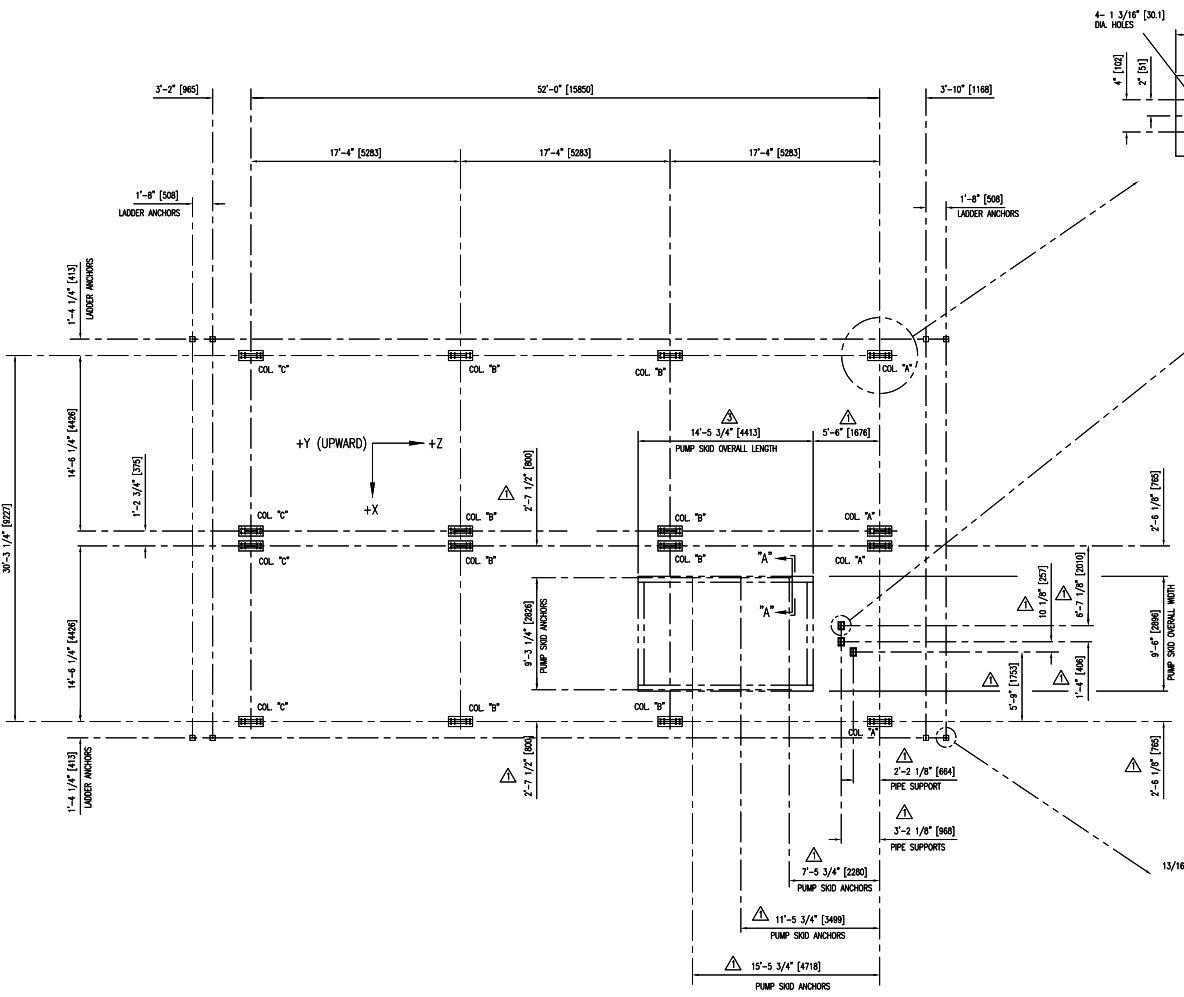
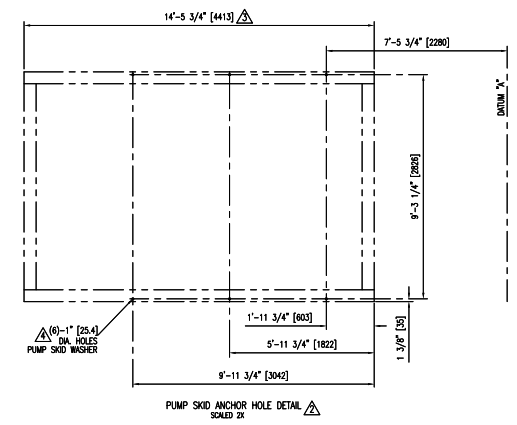
\* WEIGHTS SHOWN EQUATE TO 120% OF CALCULATED LOAD VALUES

STRUCTURE LOADS CALCULATED PER IRC 2006  
 WIND: V<sub>35</sub> = 100 MPH  
 TERRAIN EXPOSURE = C  
 OCCUPANCY CATEGORY III

SEISMIC:  
 OCCUPANCY CATEGORY III  
 IMPORTANCE FACTOR I = 1.5  
 SITE SOIL CLASS D  
 S<sub>s</sub> = 0.41g  
 S<sub>1</sub> = 0.15  
 SNOW: P<sub>g</sub> = 30 PSF  
 OCCUPANCY CATEGORY II  
 C<sub>e</sub> = 1.0  
 C<sub>f</sub> = 1.0



- COLUMN ANCHORS  
 64 - 1" [25] DIA. REOD
- PUMP SKID ANCHORS  
 6 - 3/4" [19] DIA. REOD
- PIPE SUPPORT ANCHORS  
 12 - 1/2" [13] DIA. REOD
- LADDER ANCHORS  
 8 - 1/2" [13] DIA. REOD
- SOLED 4X



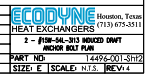
- NOTES:
- LOADS SHOWN ARE MAXIMUM VALUES FOR GRADE LOADING.
  - ANCHORS ARE TO BE FURNISHED BY THE PURCHASER.
  - FOOTING DESIGN AND ANCHOR LENGTHS ARE TO BE DETERMINED BY THE PURCHASER.
  - COOLING HEAT EXCHANGERS IS TO BE NOTIFIED OF ANY ADDITIONAL LOADS IMPOSED ON THE HEAT EXCHANGER UNITS.
  - ANCHOR BOLTS TO BE FABRICATED USING MATERIAL WITH A MINIMUM ALLOWABLE AXIAL TENSION STRESS OF 18.1 ksi, i.e. ASTM A57.

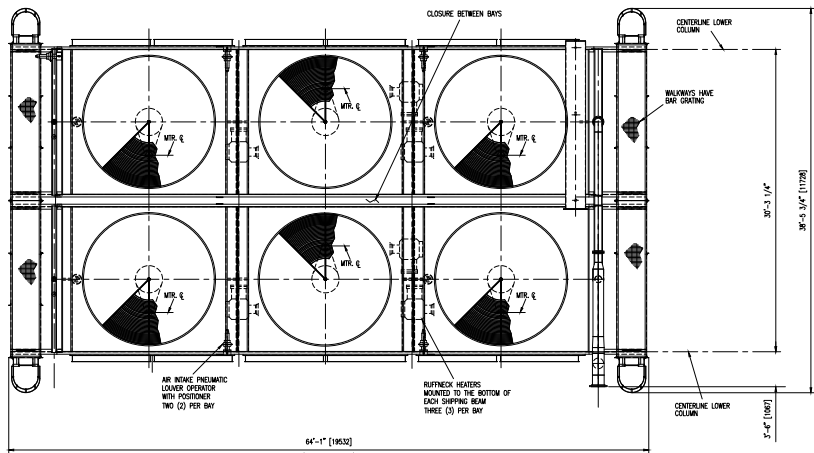
RELATED DRAWINGS  
 14496-001 SH 1 GENERAL ARRANGEMENT  
 14496-001 SH 3 PRODUCT INFORMATION SHEET  
 14496-10P0 P & ID DRAWING

UNLESS OTHERWISE SPECIFIED	REVISIONS	DATE	BY	APP'D
1. AS SHOWN	1			
2. AS SHOWN	2			
3. AS SHOWN	3			
4. AS SHOWN	4			
5. AS SHOWN	5			
6. AS SHOWN	6			
7. AS SHOWN	7			
8. AS SHOWN	8			
9. AS SHOWN	9			
10. AS SHOWN	10			
11. AS SHOWN	11			
12. AS SHOWN	12			
13. AS SHOWN	13			
14. AS SHOWN	14			
15. AS SHOWN	15			
16. AS SHOWN	16			
17. AS SHOWN	17			
18. AS SHOWN	18			
19. AS SHOWN	19			
20. AS SHOWN	20			
21. AS SHOWN	21			
22. AS SHOWN	22			
23. AS SHOWN	23			
24. AS SHOWN	24			
25. AS SHOWN	25			
26. AS SHOWN	26			
27. AS SHOWN	27			
28. AS SHOWN	28			
29. AS SHOWN	29			
30. AS SHOWN	30			
31. AS SHOWN	31			
32. AS SHOWN	32			
33. AS SHOWN	33			
34. AS SHOWN	34			
35. AS SHOWN	35			
36. AS SHOWN	36			
37. AS SHOWN	37			
38. AS SHOWN	38			
39. AS SHOWN	39			
40. AS SHOWN	40			
41. AS SHOWN	41			
42. AS SHOWN	42			
43. AS SHOWN	43			
44. AS SHOWN	44			
45. AS SHOWN	45			
46. AS SHOWN	46			
47. AS SHOWN	47			
48. AS SHOWN	48			
49. AS SHOWN	49			
50. AS SHOWN	50			
51. AS SHOWN	51			
52. AS SHOWN	52			
53. AS SHOWN	53			
54. AS SHOWN	54			
55. AS SHOWN	55			
56. AS SHOWN	56			
57. AS SHOWN	57			
58. AS SHOWN	58			
59. AS SHOWN	59			
60. AS SHOWN	60			
61. AS SHOWN	61			
62. AS SHOWN	62			
63. AS SHOWN	63			
64. AS SHOWN	64			
65. AS SHOWN	65			
66. AS SHOWN	66			
67. AS SHOWN	67			
68. AS SHOWN	68			
69. AS SHOWN	69			
70. AS SHOWN	70			
71. AS SHOWN	71			
72. AS SHOWN	72			
73. AS SHOWN	73			
74. AS SHOWN	74			
75. AS SHOWN	75			
76. AS SHOWN	76			
77. AS SHOWN	77			
78. AS SHOWN	78			
79. AS SHOWN	79			
80. AS SHOWN	80			
81. AS SHOWN	81			
82. AS SHOWN	82			
83. AS SHOWN	83			
84. AS SHOWN	84			
85. AS SHOWN	85			
86. AS SHOWN	86			
87. AS SHOWN	87			
88. AS SHOWN	88			
89. AS SHOWN	89			
90. AS SHOWN	90			
91. AS SHOWN	91			
92. AS SHOWN	92			
93. AS SHOWN	93			
94. AS SHOWN	94			
95. AS SHOWN	95			
96. AS SHOWN	96			
97. AS SHOWN	97			
98. AS SHOWN	98			
99. AS SHOWN	99			
100. AS SHOWN	100			

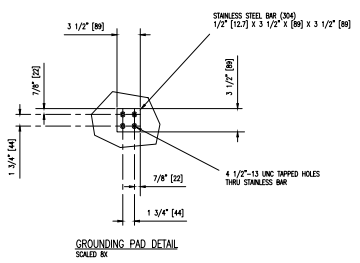
ANCHOR BOLT PLAN

LADDER FOOTINGS 5" X 5" SOLED 8X

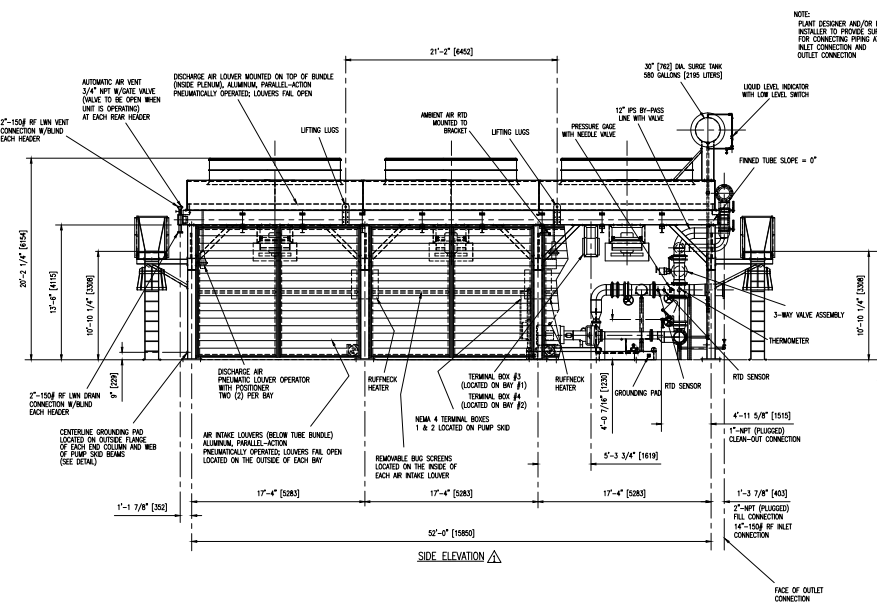




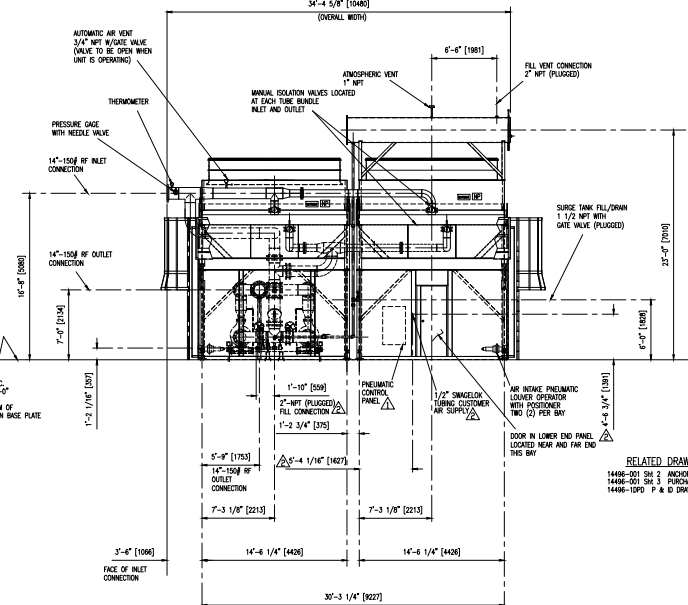
PLAN VIEW



CUSTOMER INTERFACES		MATERIAL/GRICE
INLET CONNECTION	14"-150# RF FLANGE	SA-105 FS ANS STD.
OUTLET CONNECTION	14"-150# RF FLANGE	SA-105 FS ANS STD.
CLEAN-OUT CONNECTION LOCATED ON PNE-STRAINER	1" NPT GATE VALVE, (PLUGGED)	A-126, Iron
SURGE TANK FILL	2" NPT HALF COUPLING, (PLUGGED)	SA-105 FS
SURGE TANK FILL, ON TANK	2" NPT HALF COUPLING, (PLUGGED)	SA-105 FS
SURGE TANK DRAIN, ON TANK	1" NPT HALF COUPLING, (PLUGGED)	SA-105 FS
SURGE TANK DRAIN	1 1/2" NPT GATE VALVE, (PLUGGED)	A-126, Iron



SIDE ELEVATION



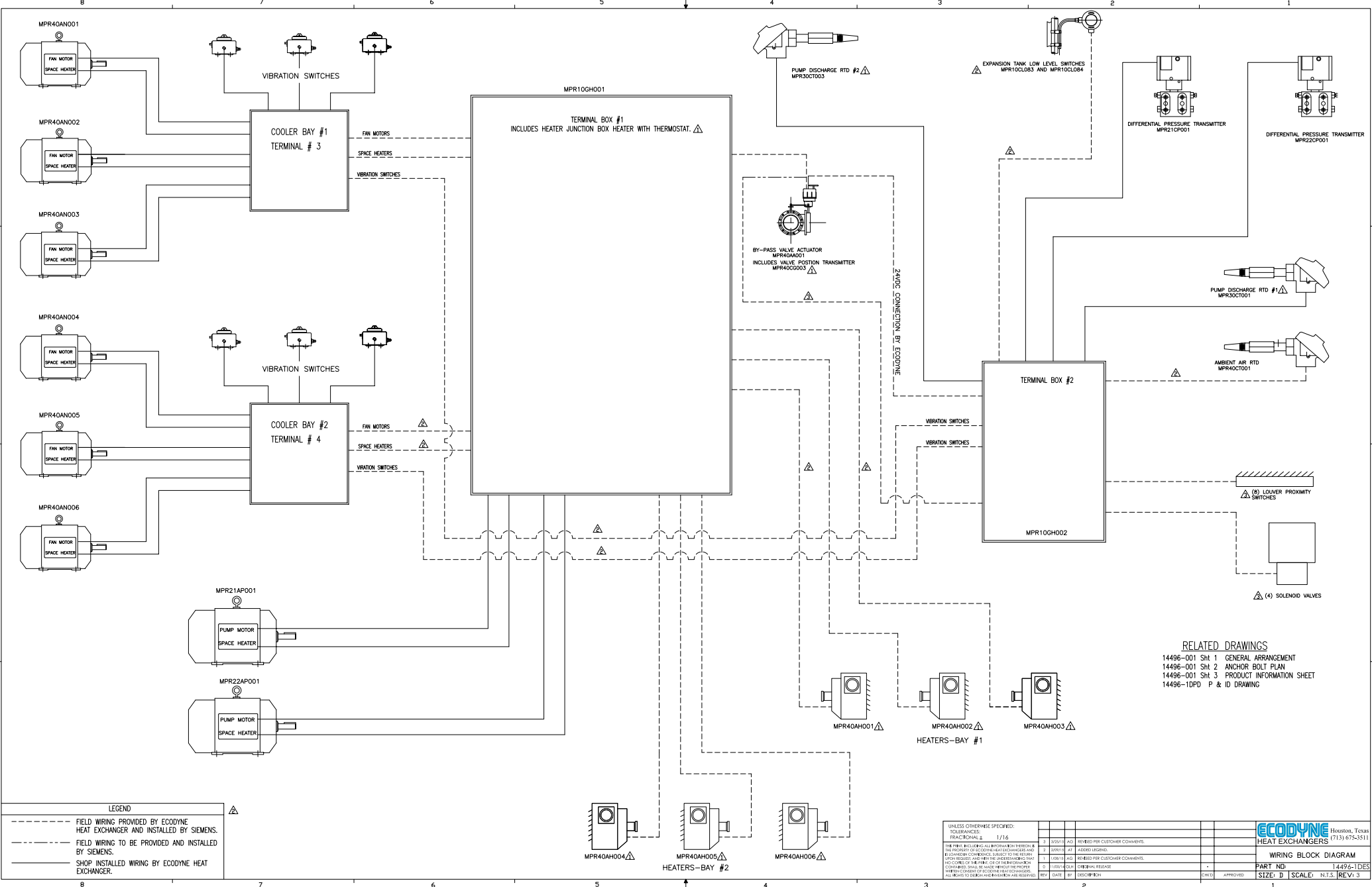
FRONT ELEVATION

NOTE: PLANT DESIGNER AND/OR PLANT ENGINEER TO PROVIDE SUPPORT FOR CONNECTING PIPING AT INLET CONNECTION AND OUTLET CONNECTION

RELATED DRAWINGS  
 1466-001 SH 2 ANCHOR BOLT PLAN  
 1466-001 SH 3 PURCHASER INFORMATION SHEET  
 1466-100P P & D DRAWING

NO.	DESCRIPTION	DATE
1	ISSUED FOR CONSTRUCTION	1/12/2011
2	REVISED	1/12/2011
3	REVISED	1/12/2011
4	REVISED	1/12/2011
5	REVISED	1/12/2011
6	REVISED	1/12/2011
7	REVISED	1/12/2011
8	REVISED	1/12/2011
9	REVISED	1/12/2011
10	REVISED	1/12/2011

**ECONYNE**  
 Houston, Texas  
 2800 West Loop South  
 Suite 1000  
 Houston, Texas 77058-4001  
 Phone: 281.460.0000  
 Fax: 281.460.0001  
 Email: sales@econyne.com  
 Website: www.econyne.com  
 PART NO: 1466-001 SH 2  
 DATE: 1/12/2011  
 DRAWN BY: E. TEAGUE



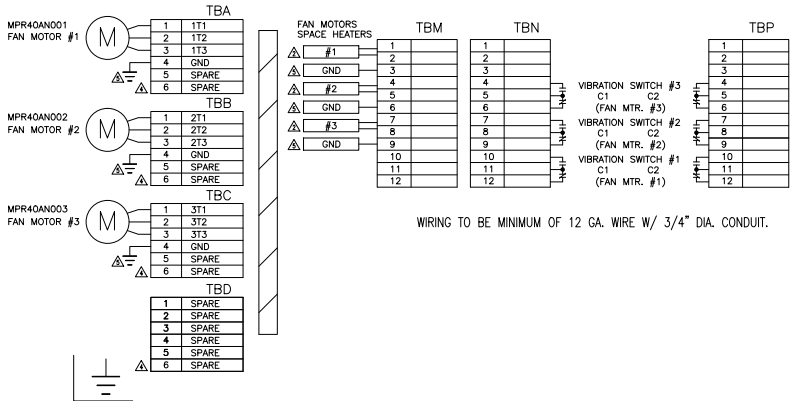
- RELATED DRAWINGS**
- 14496-001 SH1 GENERAL ARRANGEMENT
  - 14496-001 SH2 ANCHOR BOLT PLAN
  - 14496-001 SH3 PRODUCT INFORMATION SHEET
  - 14496-1DPD P & ID DRAWING

**LEGEND**

- - - - - FIELD WIRING PROVIDED BY ECODYNE HEAT EXCHANGER AND INSTALLED BY SIEMENS.
- - - - - FIELD WIRING TO BE PROVIDED AND INSTALLED BY SIEMENS.
- - - - - SHOP INSTALLED WIRING BY ECODYNE HEAT EXCHANGER.

UNLESS OTHERWISE SPECIFIED:			TOLERANCES:		DRAWING SCALE:		DATE		APPROVED		ECODYNE Houston, Texas	
FRAC. DECIMALS			1/16								17131 675-5511	
3	3/32	AS				REQUIRED FOR CUSTOMER COMMENTS						<b>WIRING BLOCK DIAGRAM</b>
2	3/64	AT				SEEDED LEGENDS						
1	3/128	AS				REQUIRED FOR CUSTOMER COMMENTS						
0	1/256	AS				CUSTOMER APPROVAL						
REV.	DATE	BY	DESCRIPTION					CHKD		APPROVED		PART NO. 14496-1DES
											SIZE: D SCALE: N.T.S. [REV: 3]	

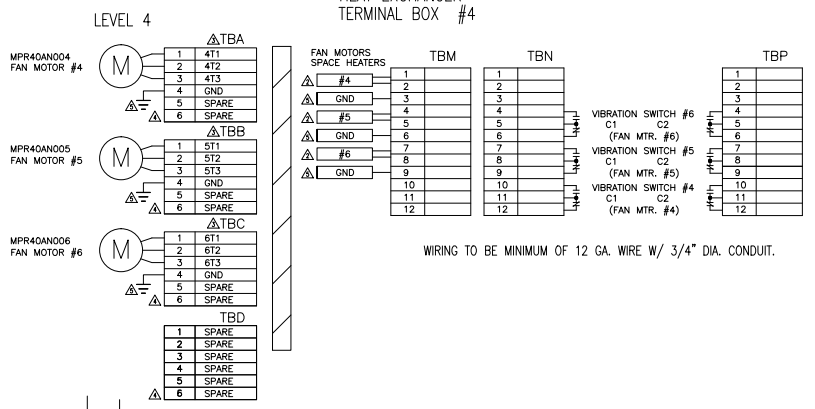
HEAT EXCHANGER  
TERMINAL BOX #3



INTERCONNECTION WIRING  
HEAT EXCHANGER TERMINAL BOX #3 TO MAIN JUNCTION BOXES ON PUMP SKID

TERMINAL BOX #3	TO	TERMINAL BOX MPR10GH001
FAN MTR LEADS	TBA1	TB1-1
	TBA2	TB1-2
	TBA3	TB1-3
FAN MTR SPACE HTR LEADS	TBB1	TB2-1
	TBB2	TB2-2
	TBB3	TB2-3
	TBC1	TB3-1
	TBC2	TB3-2
	TBC3	TB3-3
VIB SWITCH LEADS	TBM1	TB7-1
	TBM2	TB7-2
	TBM3	TB7-3
	TBM4	TB7-4
	TBM5	TB7-5
	TBM6	TB7-6
VIB SWITCH LEADS	TBN5	TB2-11
	TBN6	TB2-12
	TBN8	TB2-14
	TBN9	TB2-15
	TBN11	TB2-17
	TBN12	TB2-18
	TBP5	TB3-11
	TBP6	TB3-12
	TBP8	TB3-14
	TBP9	TB3-15
	TBP11	TB3-17
	TBP12	TB2-18

HEAT EXCHANGER  
TERMINAL BOX #4



INTERCONNECTION WIRING  
HEAT EXCHANGER TERMINAL BOX #4 TO MAIN JUNCTION BOXES ON PUMP SKID

TERMINAL BOX #4	TO	TERMINAL BOX MPR10GH001
FAN MTR LEADS	TBD1	TB4-1
	TBD2	TB4-2
	TBD3	TB4-3
FAN MTR SPACE HTR LEADS	TBE1	TB5-1
	TBE2	TB5-2
	TBE3	TB5-3
FAN MTR SPACE HTR LEADS	TBF1	TB6-1
	TBF2	TB6-2
	TBF3	TB6-3
VIB SWITCH LEADS	TBN1	TB7-7
	TBN2	TB7-8
	TBN3	TB7-9
	TBN4	TB7-10
	TBN5	TB7-11
	TBN6	TB7-12
VIB SWITCH LEADS	TBN5	TB2-2
	TBN6	TB2-3
	TBN8	TB2-5
	TBN9	TB2-6
	TBN11	TB2-8
	TBN12	TB2-9
	TBP5	TB3-2
	TBP6	TB3-3
	TBP8	TB3-5
TBP9	TB3-6	
TBP11	TB3-8	
TBP12	TB3-9	

- RELATED DRAWINGS
- 14496-001 SH 1 GENERAL ARRANGEMENT
  - 14496-001 SH 2 ANCHOR BOLT PLAN
  - 14496-001 SH 3 PRODUCT INFORMATION SHEET
  - 14496-10PD P & ID DRAWING

- NOTES:
1. JUNCTION ZBOXES TO BE NEMA 4.
  2. WIRING TO BE MINIMUM OF 12 GA. WIRE W/ 3/4" DIA. CONDUIT.

UNLESS OTHERWISE SPECIFIED:	3	1/16	AG	REVISED TO SHOW AS BUILT
TOLERANCES:	3	1/16 <td>AG</td> <td>REVISED TO SHOW AS BUILT</td>	AG	REVISED TO SHOW AS BUILT
FUNCTIONAL:	1/16 <td></td> <td></td> <td></td>			
THIS PRINT INCLUDING ALL INFORMATION THEREON IS THE PROPERTY OF ECODYNE HEAT EXCHANGERS AND IS LOANED TO YOUR FACILITY TO BE USED ONLY FOR THE PROJECT AND WORK ORDER SPECIFICALLY IDENTIFIED ON THE DRAWING. IT IS NOT TO BE REPRODUCED, COPIED, OR TRANSMITTED IN ANY MANNER WITHOUT THE EXPRESS WRITTEN CONSENT OF ECODYNE HEAT EXCHANGERS. ALL RIGHTS TO DESIGN AND INVENTION ARE RESERVED.	1	1/16	AG	REVISED PER CUSTOMER COMMENTS
	2	1/16	AG	REVISED PER CUSTOMER COMMENTS
	3	1/16	AG	REVISED PER CUSTOMER COMMENTS
	4	1/16	AG	REVISED PER CUSTOMER COMMENTS
	5	1/16	AG	REVISED PER CUSTOMER COMMENTS
	6	1/16	AG	REVISED PER CUSTOMER COMMENTS
	7	1/16	AG	REVISED PER CUSTOMER COMMENTS
	8	1/16	AG	REVISED PER CUSTOMER COMMENTS
	9	1/16	AG	REVISED PER CUSTOMER COMMENTS
	10	1/16	AG	REVISED PER CUSTOMER COMMENTS
	11	1/16	AG	REVISED PER CUSTOMER COMMENTS
	12	1/16	AG	REVISED PER CUSTOMER COMMENTS
	13	1/16	AG	REVISED PER CUSTOMER COMMENTS
	14	1/16	AG	REVISED PER CUSTOMER COMMENTS
	15	1/16	AG	REVISED PER CUSTOMER COMMENTS
	16	1/16	AG	REVISED PER CUSTOMER COMMENTS
	17	1/16	AG	REVISED PER CUSTOMER COMMENTS
	18	1/16	AG	REVISED PER CUSTOMER COMMENTS
	19	1/16	AG	REVISED PER CUSTOMER COMMENTS
	20	1/16	AG	REVISED PER CUSTOMER COMMENTS
	21	1/16	AG	REVISED PER CUSTOMER COMMENTS
	22	1/16	AG	REVISED PER CUSTOMER COMMENTS
	23	1/16	AG	REVISED PER CUSTOMER COMMENTS
	24	1/16	AG	REVISED PER CUSTOMER COMMENTS
	25	1/16	AG	REVISED PER CUSTOMER COMMENTS
	26	1/16	AG	REVISED PER CUSTOMER COMMENTS
	27	1/16	AG	REVISED PER CUSTOMER COMMENTS
	28	1/16	AG	REVISED PER CUSTOMER COMMENTS
	29	1/16	AG	REVISED PER CUSTOMER COMMENTS
	30	1/16	AG	REVISED PER CUSTOMER COMMENTS
	31	1/16	AG	REVISED PER CUSTOMER COMMENTS
	32	1/16	AG	REVISED PER CUSTOMER COMMENTS
	33	1/16	AG	REVISED PER CUSTOMER COMMENTS
	34	1/16	AG	REVISED PER CUSTOMER COMMENTS
	35	1/16	AG	REVISED PER CUSTOMER COMMENTS
	36	1/16	AG	REVISED PER CUSTOMER COMMENTS
	37	1/16	AG	REVISED PER CUSTOMER COMMENTS
	38	1/16	AG	REVISED PER CUSTOMER COMMENTS
	39	1/16	AG	REVISED PER CUSTOMER COMMENTS
	40	1/16	AG	REVISED PER CUSTOMER COMMENTS
	41	1/16	AG	REVISED PER CUSTOMER COMMENTS
	42	1/16	AG	REVISED PER CUSTOMER COMMENTS
	43	1/16	AG	REVISED PER CUSTOMER COMMENTS
	44	1/16	AG	REVISED PER CUSTOMER COMMENTS
	45	1/16	AG	REVISED PER CUSTOMER COMMENTS
	46	1/16	AG	REVISED PER CUSTOMER COMMENTS
	47	1/16	AG	REVISED PER CUSTOMER COMMENTS
	48	1/16	AG	REVISED PER CUSTOMER COMMENTS
	49	1/16	AG	REVISED PER CUSTOMER COMMENTS
	50	1/16	AG	REVISED PER CUSTOMER COMMENTS
	51	1/16	AG	REVISED PER CUSTOMER COMMENTS
	52	1/16	AG	REVISED PER CUSTOMER COMMENTS
	53	1/16	AG	REVISED PER CUSTOMER COMMENTS
	54	1/16	AG	REVISED PER CUSTOMER COMMENTS
	55	1/16	AG	REVISED PER CUSTOMER COMMENTS
	56	1/16	AG	REVISED PER CUSTOMER COMMENTS
	57	1/16	AG	REVISED PER CUSTOMER COMMENTS
	58	1/16	AG	REVISED PER CUSTOMER COMMENTS
	59	1/16	AG	REVISED PER CUSTOMER COMMENTS
	60	1/16	AG	REVISED PER CUSTOMER COMMENTS
	61	1/16	AG	REVISED PER CUSTOMER COMMENTS
	62	1/16	AG	REVISED PER CUSTOMER COMMENTS
	63	1/16	AG	REVISED PER CUSTOMER COMMENTS
	64	1/16	AG	REVISED PER CUSTOMER COMMENTS
	65	1/16	AG	REVISED PER CUSTOMER COMMENTS
	66	1/16	AG	REVISED PER CUSTOMER COMMENTS
	67	1/16	AG	REVISED PER CUSTOMER COMMENTS
	68	1/16	AG	REVISED PER CUSTOMER COMMENTS
	69	1/16	AG	REVISED PER CUSTOMER COMMENTS
	70	1/16	AG	REVISED PER CUSTOMER COMMENTS
	71	1/16	AG	REVISED PER CUSTOMER COMMENTS
	72	1/16	AG	REVISED PER CUSTOMER COMMENTS
	73	1/16	AG	REVISED PER CUSTOMER COMMENTS
	74	1/16	AG	REVISED PER CUSTOMER COMMENTS
	75	1/16	AG	REVISED PER CUSTOMER COMMENTS
	76	1/16	AG	REVISED PER CUSTOMER COMMENTS
	77	1/16	AG	REVISED PER CUSTOMER COMMENTS
	78	1/16	AG	REVISED PER CUSTOMER COMMENTS
	79	1/16	AG	REVISED PER CUSTOMER COMMENTS
	80	1/16	AG	REVISED PER CUSTOMER COMMENTS
	81	1/16	AG	REVISED PER CUSTOMER COMMENTS
	82	1/16	AG	REVISED PER CUSTOMER COMMENTS
	83	1/16	AG	REVISED PER CUSTOMER COMMENTS
	84	1/16	AG	REVISED PER CUSTOMER COMMENTS
	85	1/16	AG	REVISED PER CUSTOMER COMMENTS
	86	1/16	AG	REVISED PER CUSTOMER COMMENTS
	87	1/16	AG	REVISED PER CUSTOMER COMMENTS
	88	1/16	AG	REVISED PER CUSTOMER COMMENTS
	89	1/16	AG	REVISED PER CUSTOMER COMMENTS
	90	1/16	AG	REVISED PER CUSTOMER COMMENTS
	91	1/16	AG	REVISED PER CUSTOMER COMMENTS
	92	1/16	AG	REVISED PER CUSTOMER COMMENTS
	93	1/16	AG	REVISED PER CUSTOMER COMMENTS
	94	1/16	AG	REVISED PER CUSTOMER COMMENTS
	95	1/16	AG	REVISED PER CUSTOMER COMMENTS
	96	1/16	AG	REVISED PER CUSTOMER COMMENTS
	97	1/16	AG	REVISED PER CUSTOMER COMMENTS
	98	1/16	AG	REVISED PER CUSTOMER COMMENTS
	99	1/16	AG	REVISED PER CUSTOMER COMMENTS
	100	1/16	AG	REVISED PER CUSTOMER COMMENTS

**ECODYNE** Houston, Texas  
713) 675-3511

HEAT EXCHANGERS

PART NO: 14496-1111

SIZE: D | SCALE: 1:1 | REV: 5