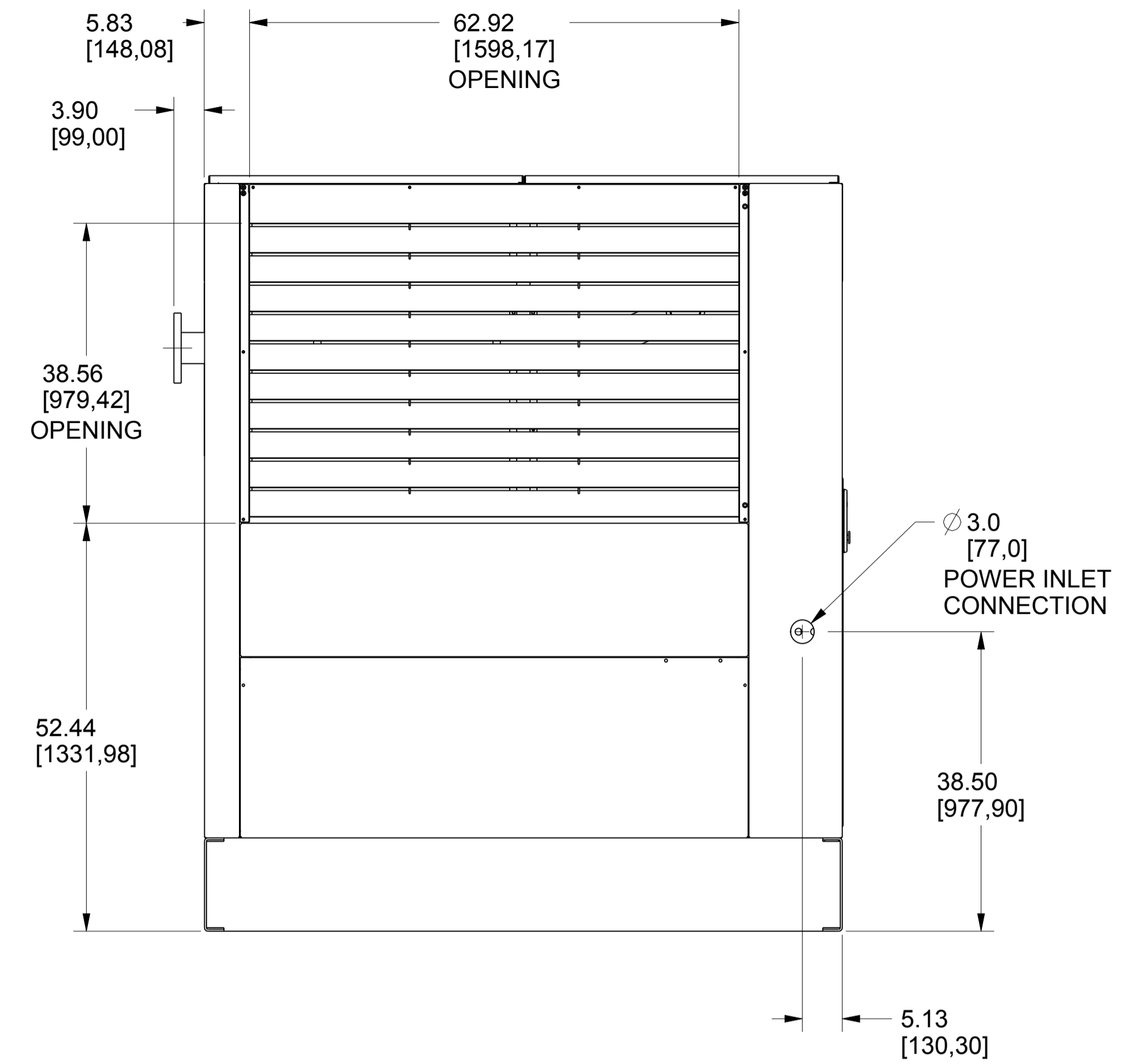
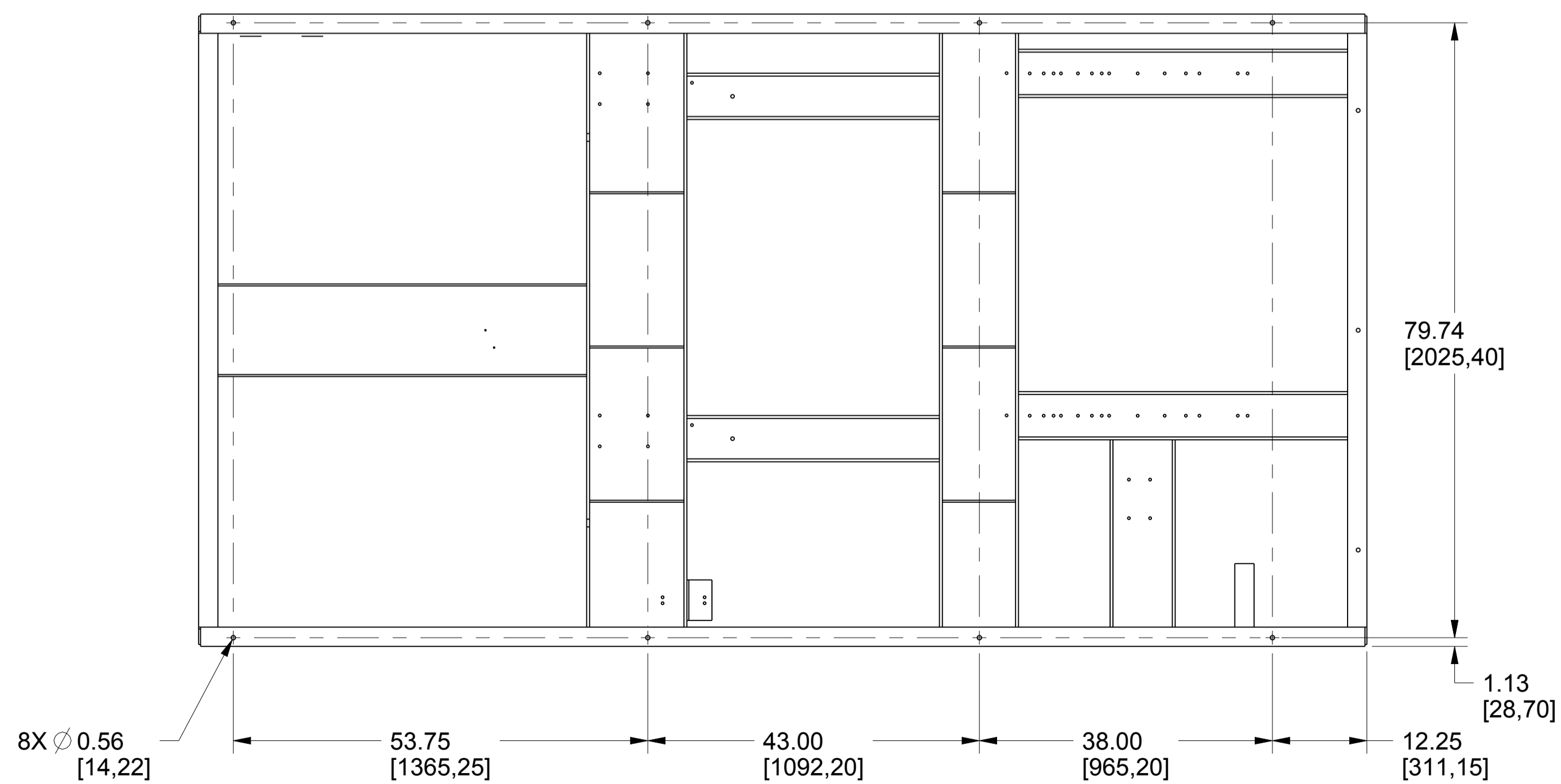


REAR VIEW



LEFT END VIEW



BOTTOM VIEW

REJECTED

Submittal is incorrect to such an extent that material is unacceptable or is incomplete to such an extent that a complete review cannot be made.

RESUBMIT IN ACCORDANCE WITH REQUIREMENTS OF THE CONTRACT DOCUMENTS

DATE 1/13/12 BY CB/SA

R.G. VANDERWEIL ENGINEERS, LLP

P.O.#: V43683
ORDER #: 80868119
MODEL: EPE500

<small>PROPRIETARY NOTICE</small> THIS DRAWING CONTAINS CONFIDENTIAL AND TRADE SECRET INFORMATION IS THE PROPERTY OF INGERSOLL-RAND CO. AND IS GIVEN TO THE RECEIVER IN CONFIDENCE. THE RECEIVER BY RECEIPT AND RETENTION OF THIS DRAWING ACCEPTS THE DRAWING IN CONFIDENCE AND AGREES THAT, EXCEPT AS AUTHORIZED IN WRITING BY INGERSOLL-RAND CO. IT WILL (1) NOT USE THE DRAWING OR ANY COPY THEREOF OR THE CONFIDENTIAL OR TRADE SECRET INFORMATION THEREIN; (2) NOT COPY THE DRAWING; (3) NOT DISCLOSE TO OTHERS EITHER THE DRAWING OR THE CONFIDENTIAL OR TRADE SECRET INFORMATION THEREIN; AND (4) UPON COMPLETION OF THE NEED TO RETAIN THE DRAWING OR UPON DEMAND, RETURN THE DRAWING, ALL COPIES THEREOF, AND ALL MATERIAL COPIED THEREFROM.		TITLE PLAN, FOUNDATION REMOTE COOLED UNIT	
SIZE A1	DWG NO. 24027609	REV A	
SCALE 0.07	SHEET 2 OF 3		