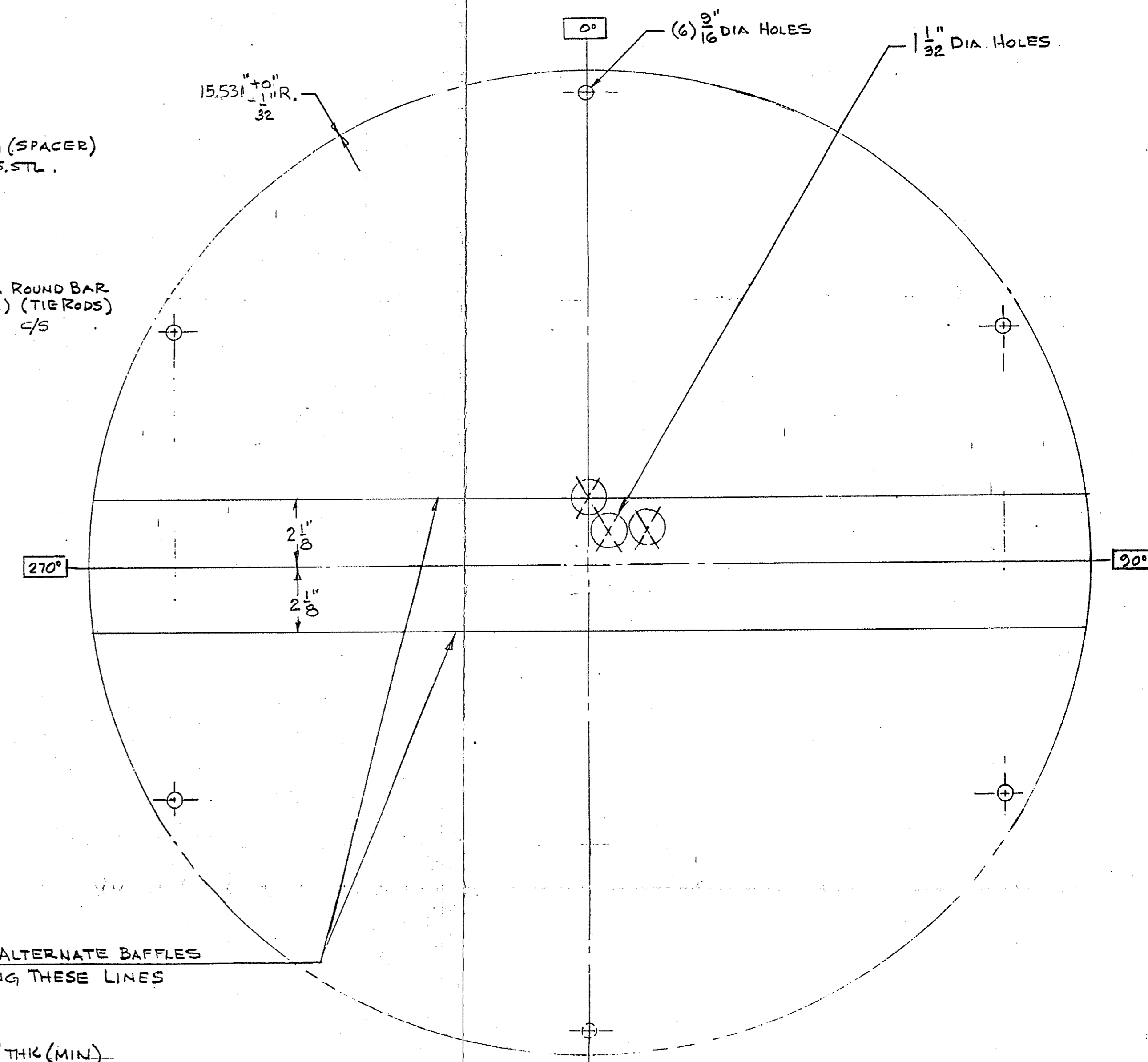
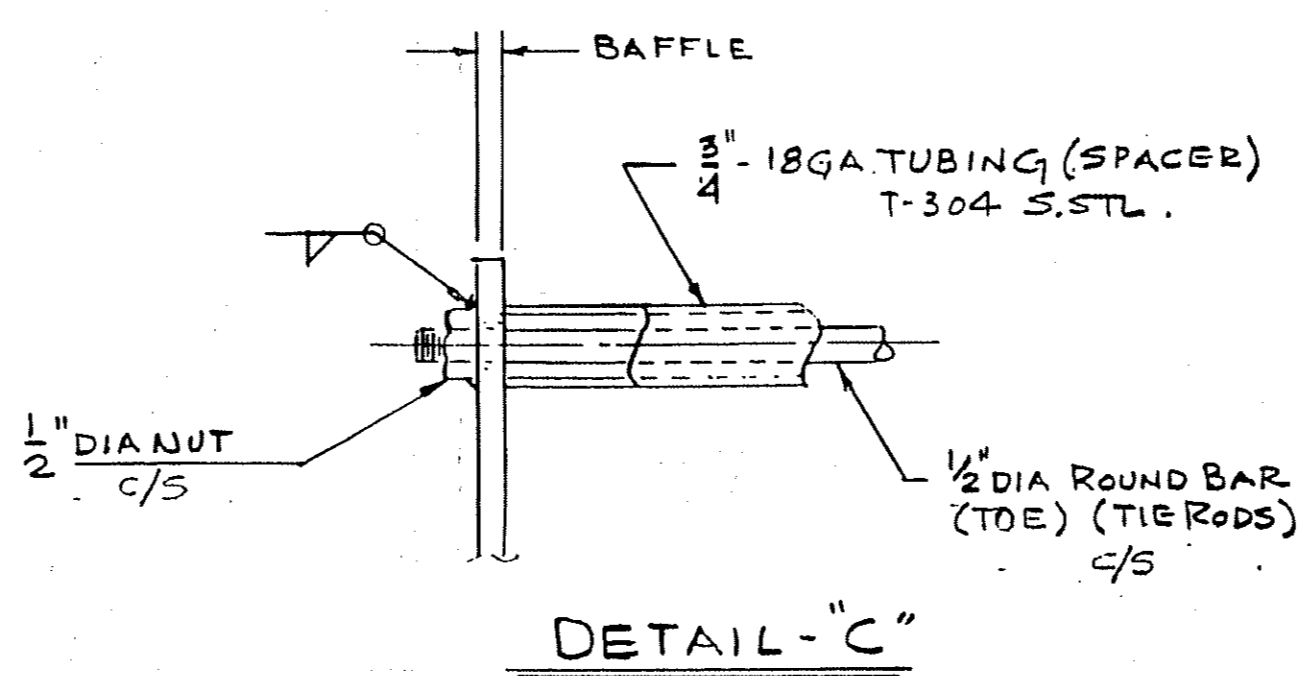
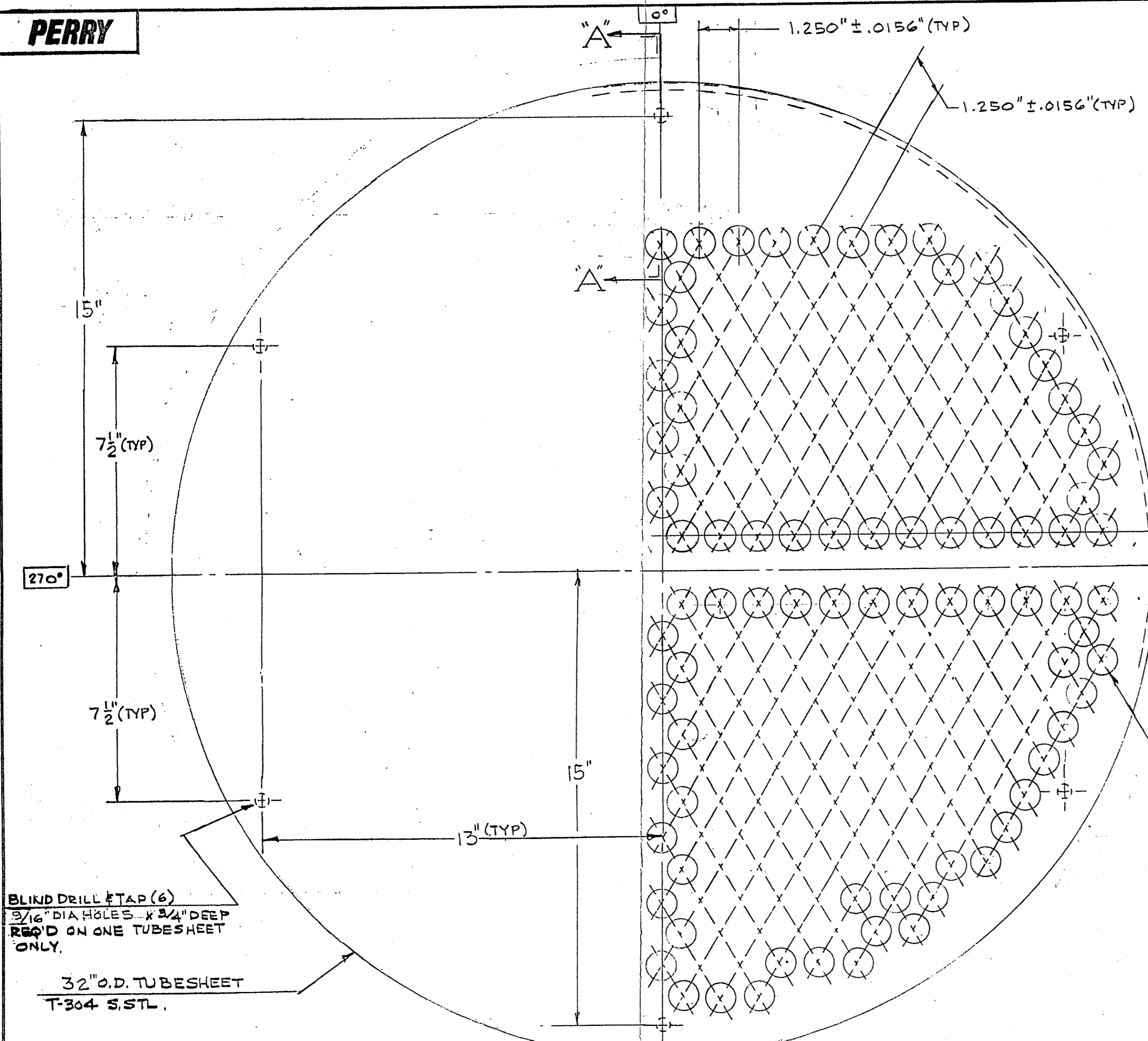


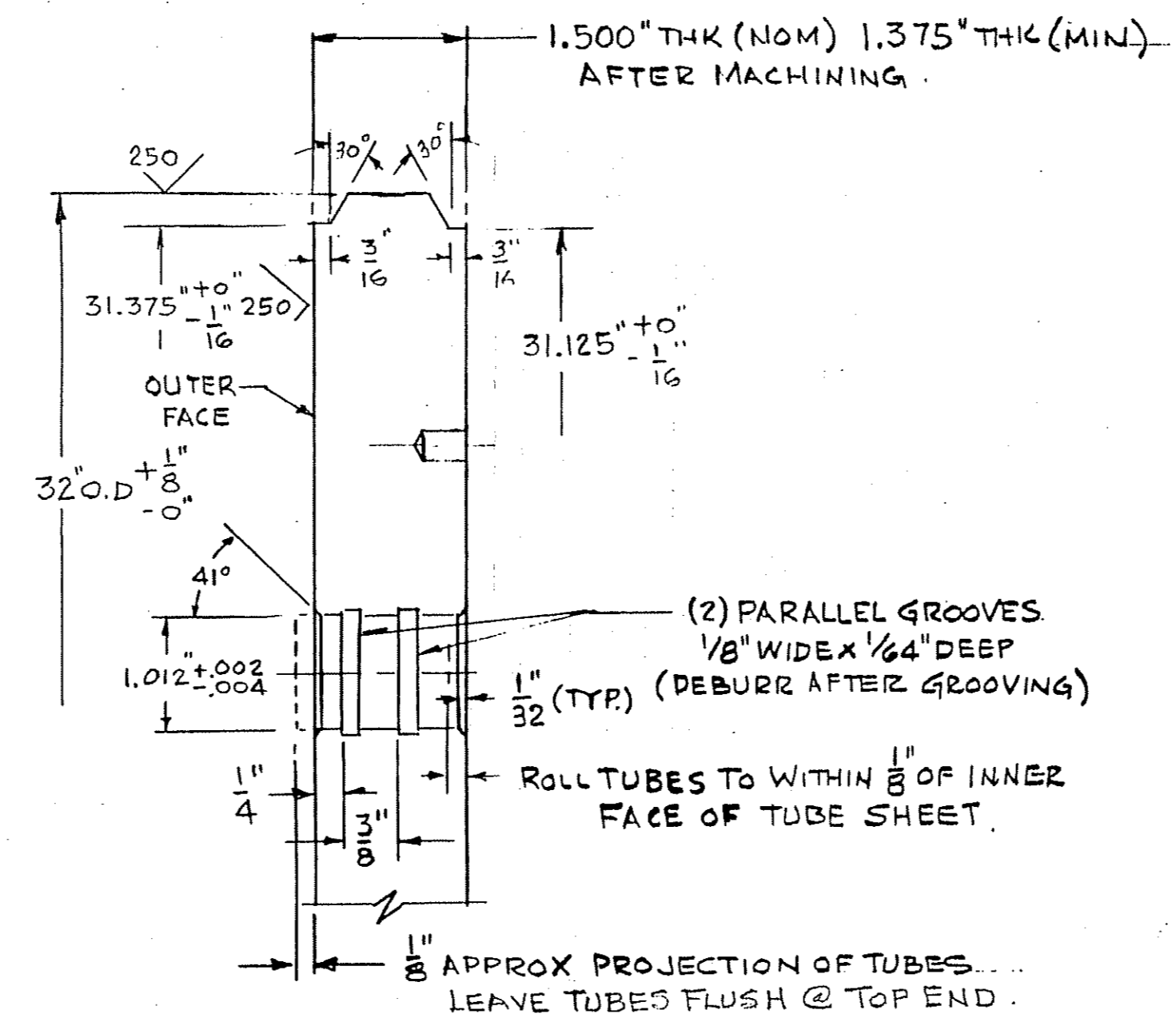
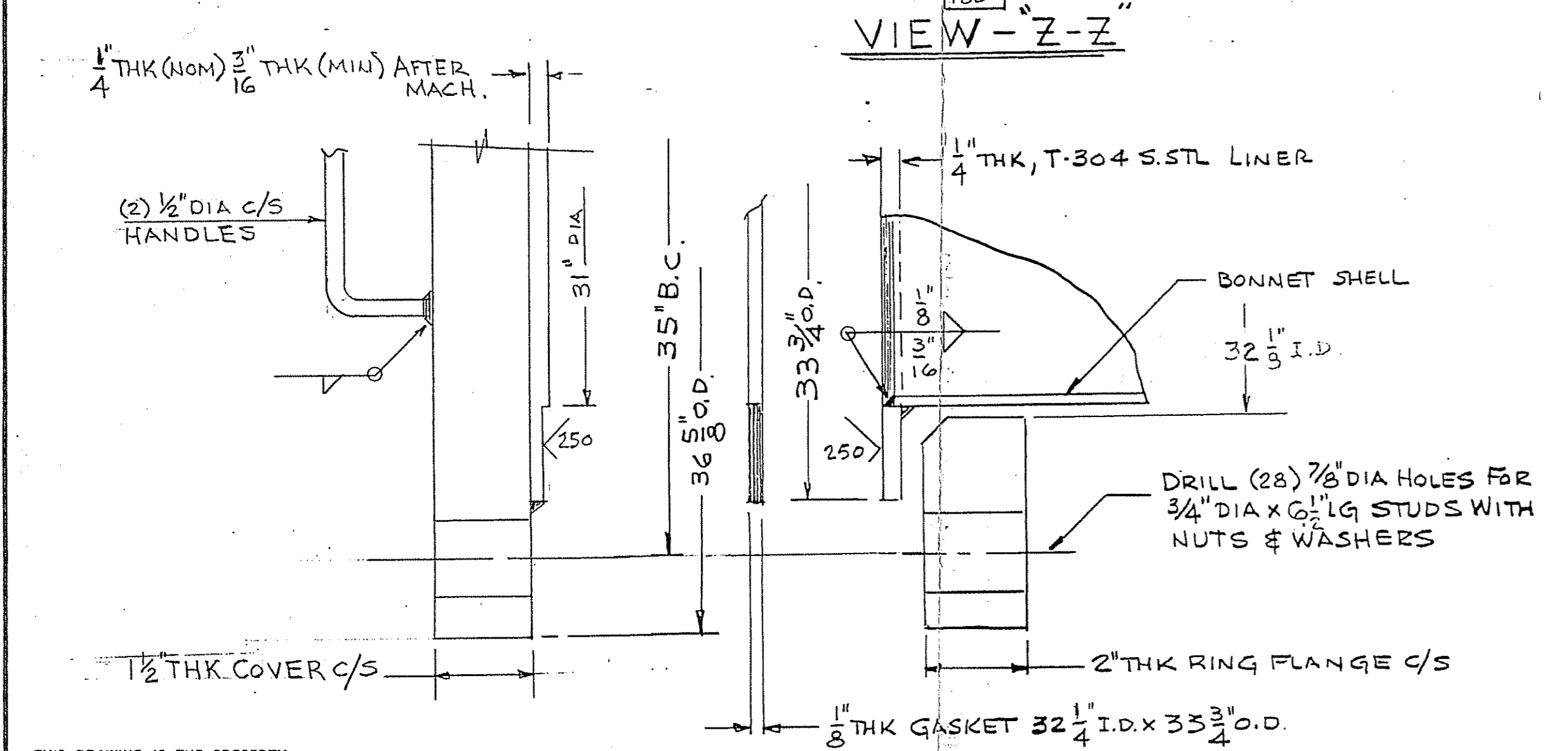
PERRY



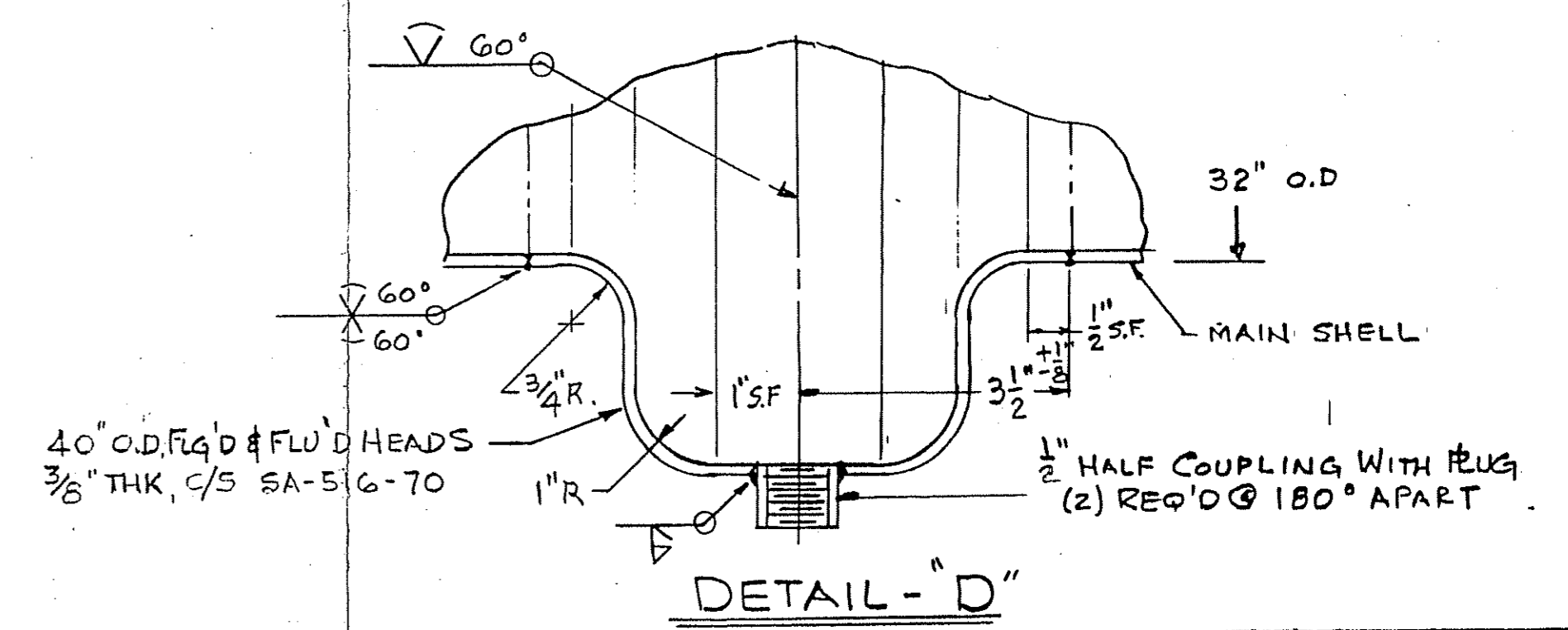
BLIND DRILL & TAP (6)  
 3/16" DIA HOLES, 1/4" DEEP  
 REQ'D ON ONE TUBESHEET  
 ONLY.  
 32" O.D. TUBESHEET  
 T-304 S.STL.

TUBE HOLES ON A 1/4" Δ TO Δ  
 TRIANGULAR PITCH (449)  
 DRILLED AND BEAMED HOLES REQ'D.

CUT ALTERNATE BAFFLES  
 ALONG THESE LINES



BAFFLE DETAILS  
 (7) 3/16" THK C/S BAFFLES DRILL TO MATCH TUBESHEET



THIS DRAWING IS THE PROPERTY  
 OF PERRY PRODUCTS CORP. AND  
 IS NOT TO BE DUPLICATED. ANY  
 INFORMATION SHOWN HEREIN IS  
 NOT TO BE DISCLOSED WITHOUT  
 WRITTEN PERMISSION.

**PERRY PRODUCTS CORPORATION**

MOUNT LAUREL ROAD • HAINESPORT, NEW JERSEY 08036

DRN. <i>LD</i>	32" TUBESHEET & BAFFLE LAYOUT W/ DETAILS		
DATE 3/23/01	1 PASS, 1" TUBES ON A 1/4" Δ PITCH		
CHKD. <i>LD</i>	SER. NO. B-6194	JOB NO. 15894	DWG. NO. D-01066
NO.	DATE	BY	REVISIONS

109133