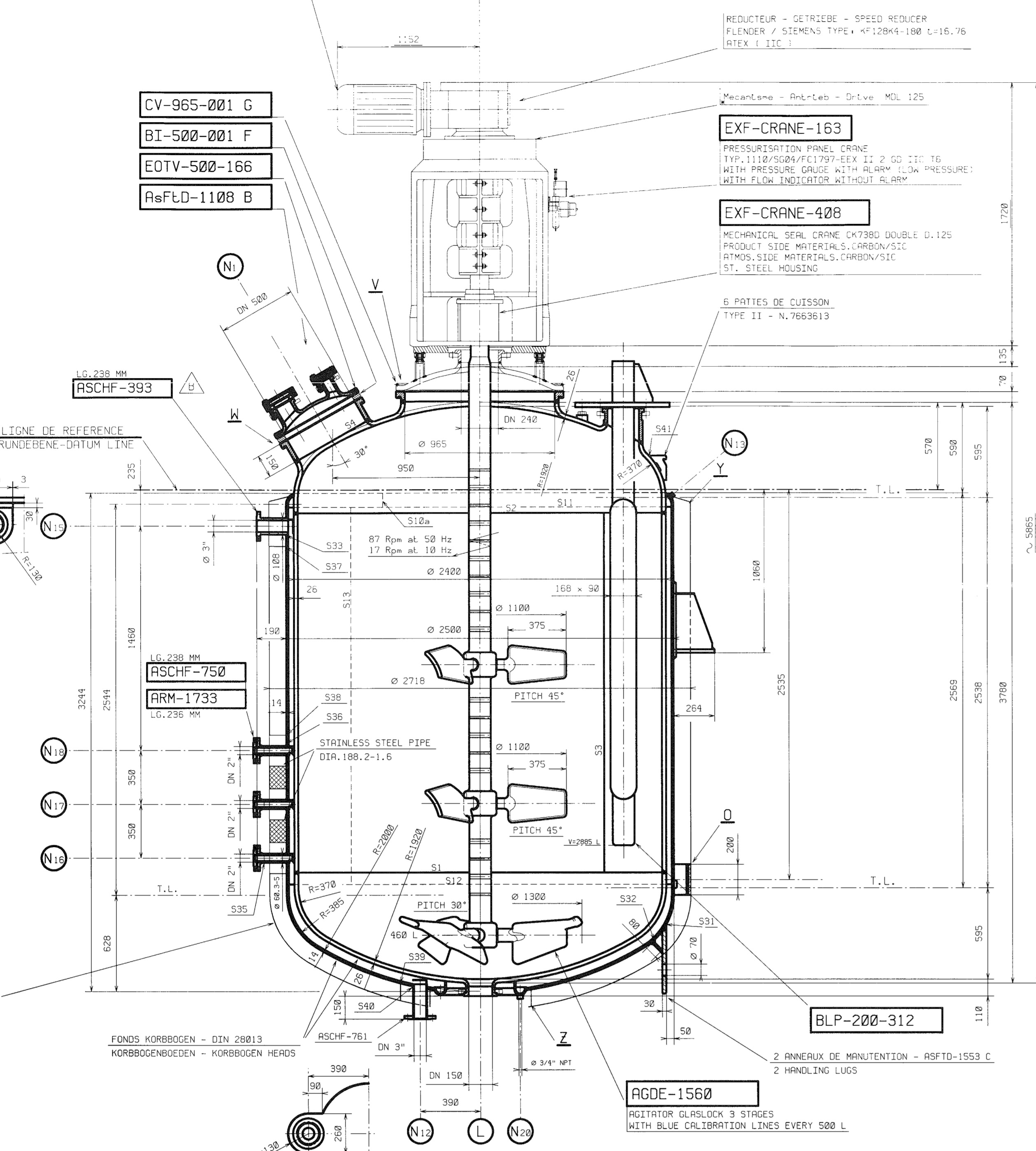
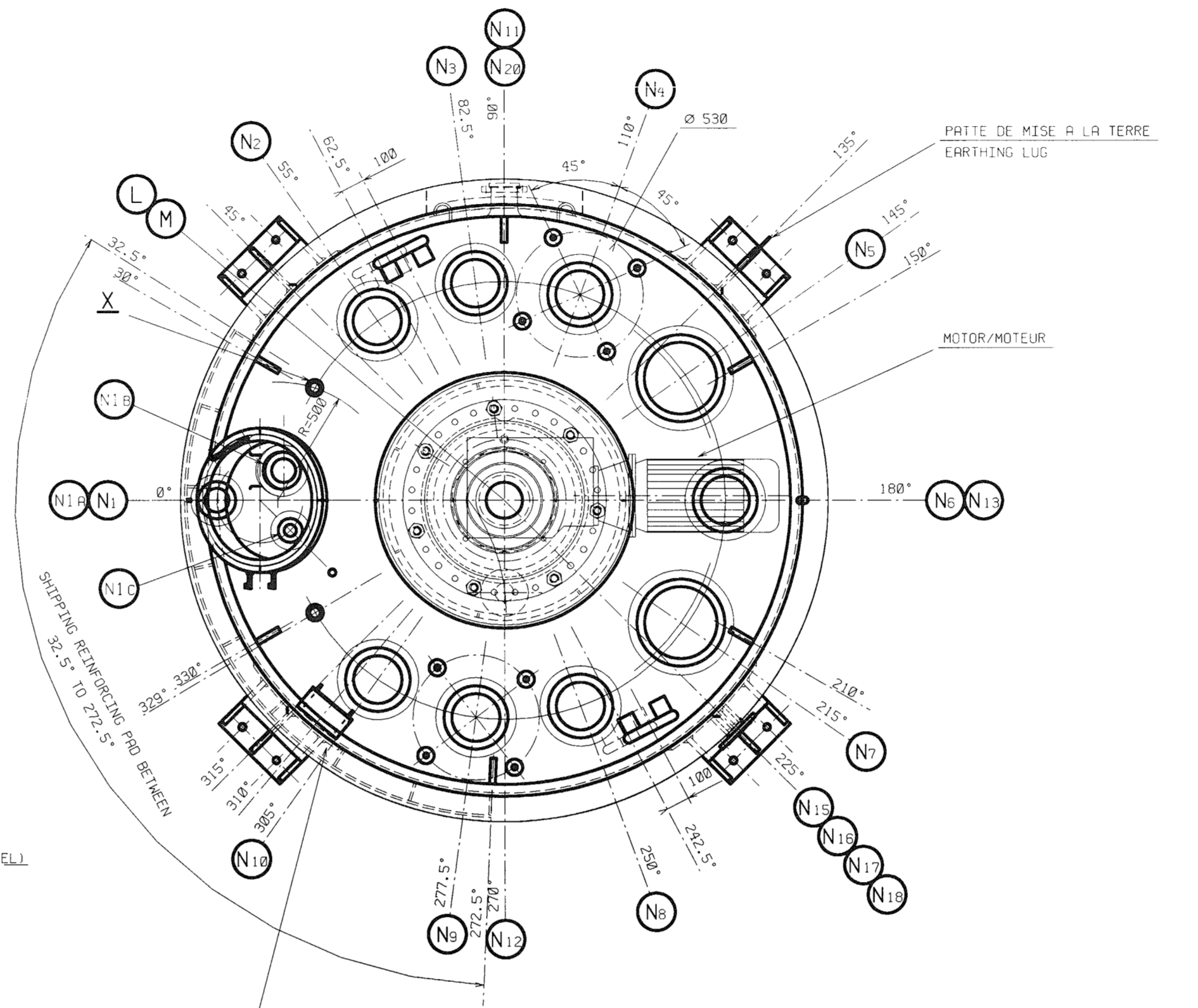
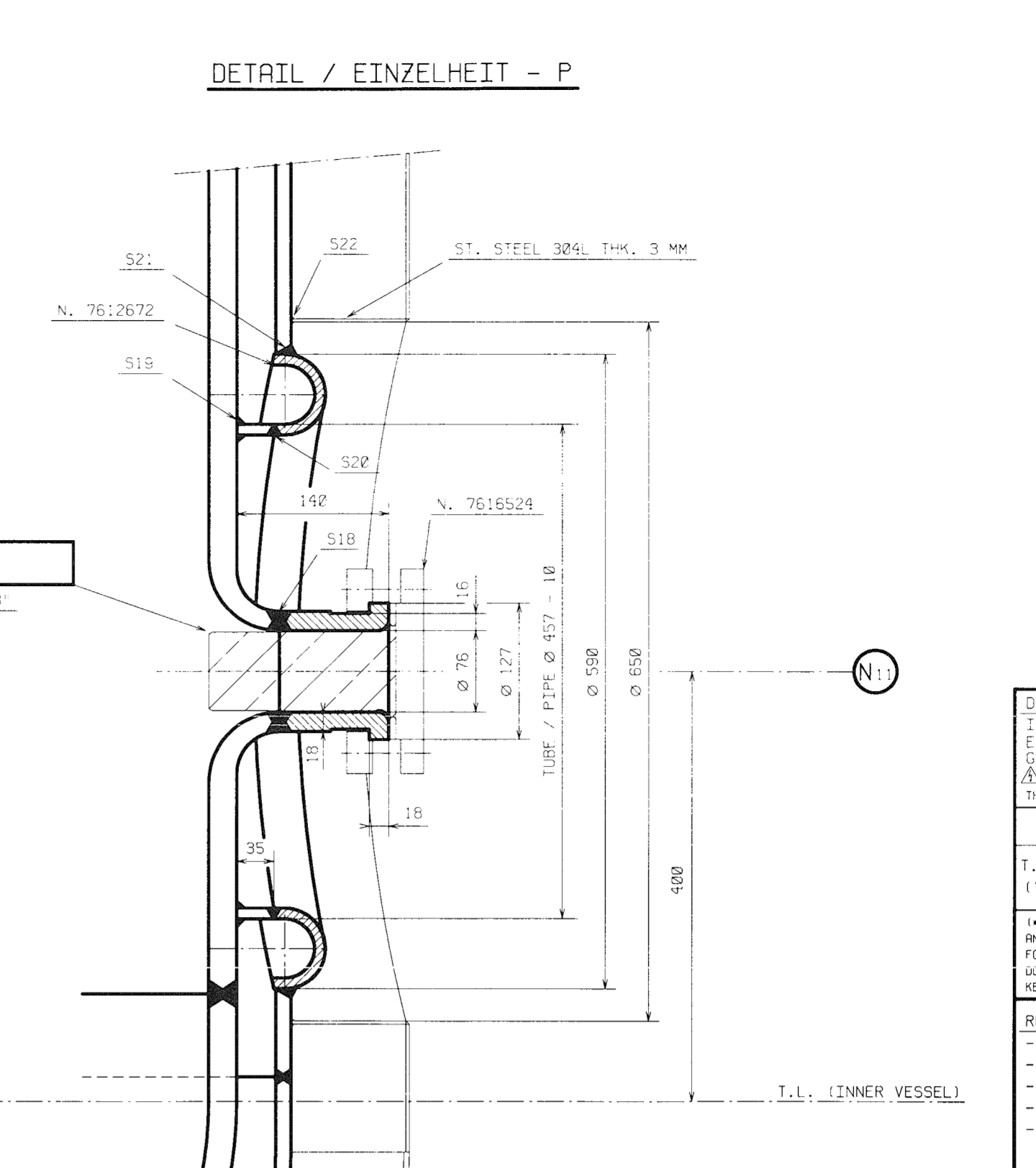
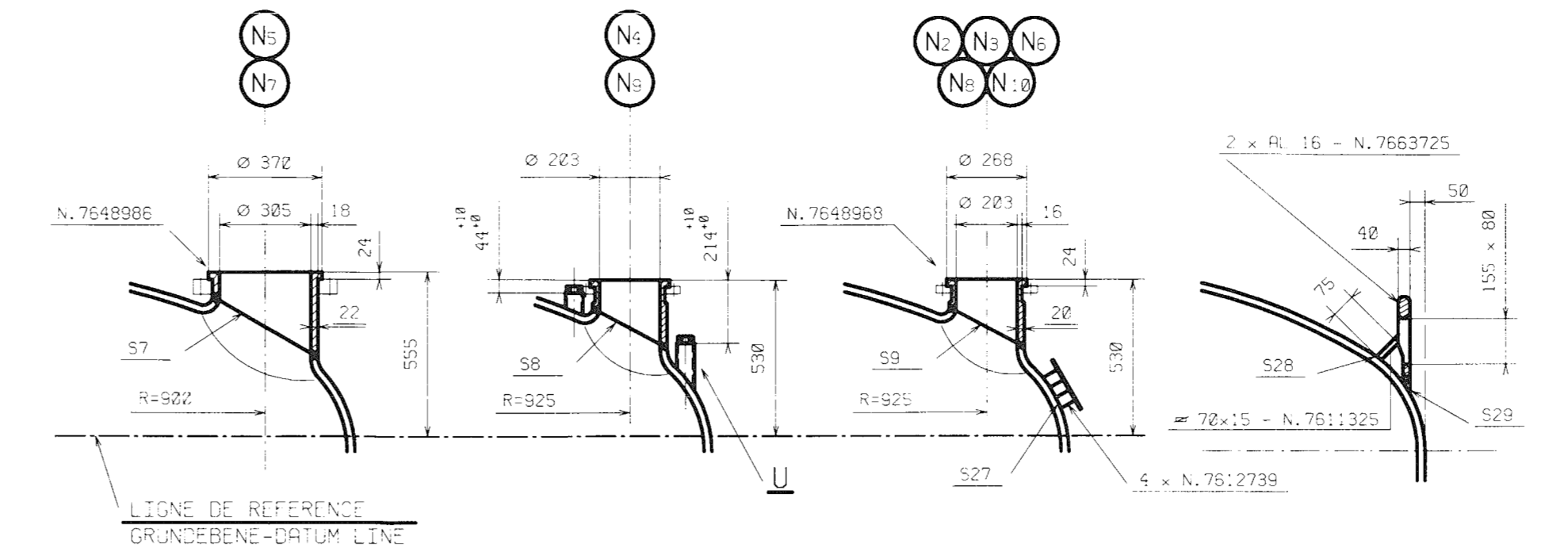


Flange motor 110 kW 180
 Mounting BS - 502 Spm - 22 mm - 400/492 v - 50 Hz
 Protection ELV 110 V4 - IP 66
 With PID sensor for Frequency Inverter
 Motor 110
 Frequency Inverter supplied by customer



INSULATION SHEETING ON SHELL AND BOTTOM HEAD:
 FORMGLASS INSULATION THK. 100 MM (DOUBLE LAYERS)
 JACKET MATERIAL: 18% THICKNESS 3 MM
 SHELL: COLD ROLLED AND SKIN PLATES (MILL FINISH 2B)
 HEAD: 3 WITH RR < 1.6
 WELDS LEAK PROOF BRUSHED AND PASSED.



REF.	Ø	HT	UTILISATION	REQUISITES
mm	mm	mm	DESCRIPTION	REQUISITES
N 1	500	Claps	Manhole	REQUISITES
N 1h	4"	10	Sight glass	REQUISITES
N 1b	4"	10	Sight glass	REQUISITES
N 1c	2"	10	Sight glass	REQUISITES
N 2	Ø 100	Ø 100	Manhole	REQUISITES
N 3	Ø 100	Ø 100	Manhole	REQUISITES
N 4	200	10	Beaver tail. Duff-L	REQUISITES
N 5	12"	Ø 150	Manhole	REQUISITES
N 6	8"	Ø 150	Manhole	REQUISITES
N 7	12"	Ø 150	Manhole	REQUISITES
N 8	8"	Ø 150	Manhole	REQUISITES
N 9	8"	Ø 150	Manhole	REQUISITES
N 10	8"	Ø 150	Manhole	REQUISITES
N 11	3"	Ø 150	Manhole	REQUISITES
L	250	E700	Agitator nozzle	Drive Mdl 125
N 12	3"	Ø 150	Manhole	REQUISITES
N 13	R1/2"		Manhole	REQUISITES
N 15	3"	Ø 150	Manhole	REQUISITES
N 16	2"	Ø 150	Manhole	REQUISITES
N 17	2"	Ø 150	Manhole	REQUISITES
N 18	2"	Ø 150	Manhole	REQUISITES
N 20	Ø 100	3000	Jacket drain	Plug

II 2 GD

TEMPERATURE CLASS
 - DESIGN TEMPERATURE: 150 °C
 - MAXIMUM OPERATING TEMPERATURE: 150 °C
 - MINIMUM OPERATING TEMPERATURE: -20 °C

DESIGN CODE: RD 2000

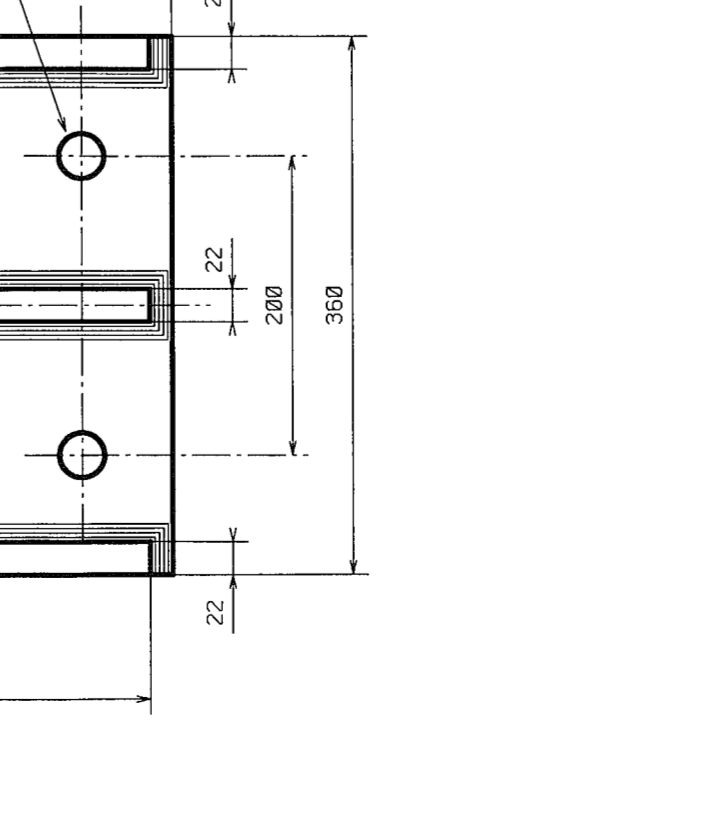
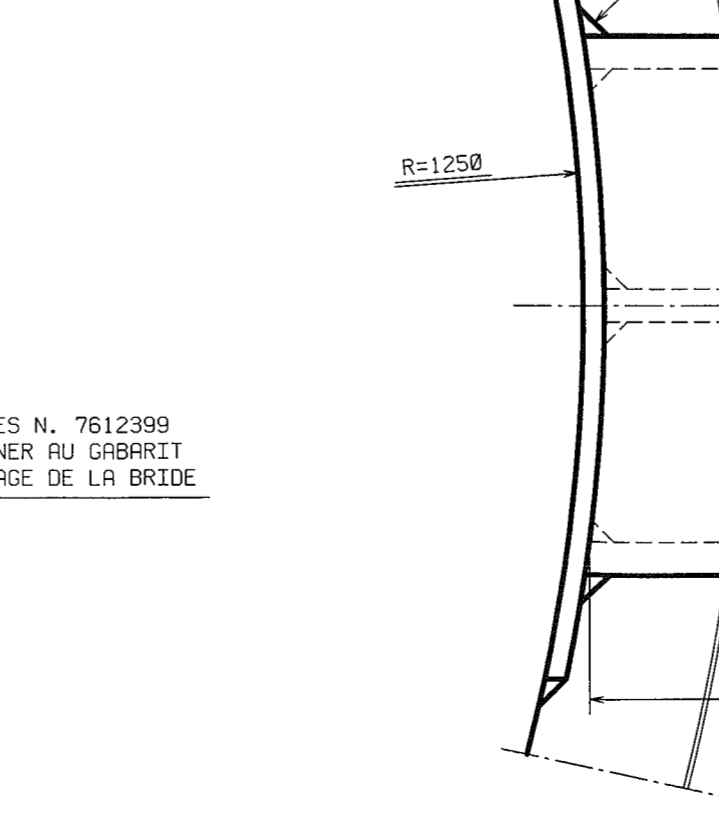
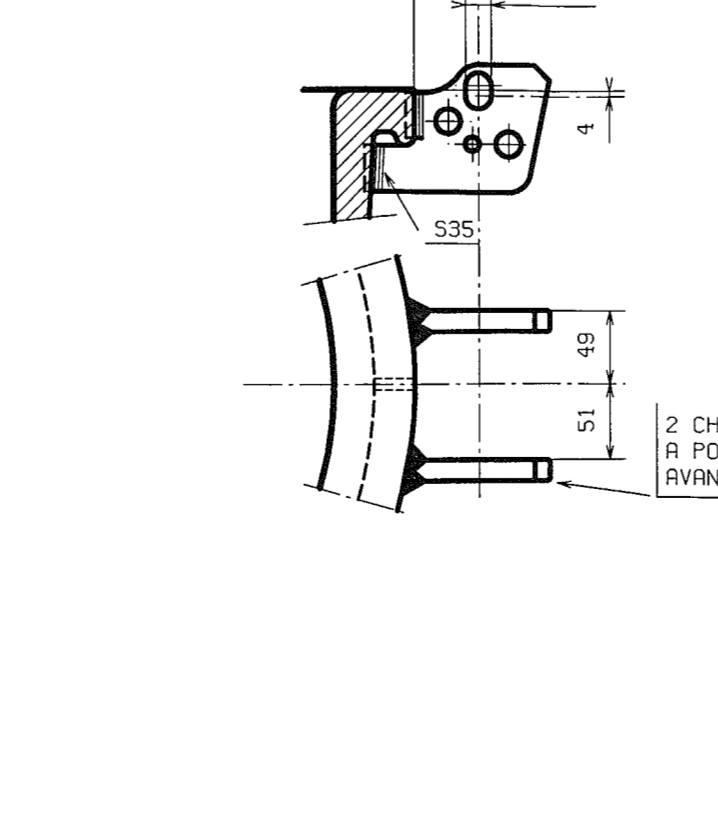
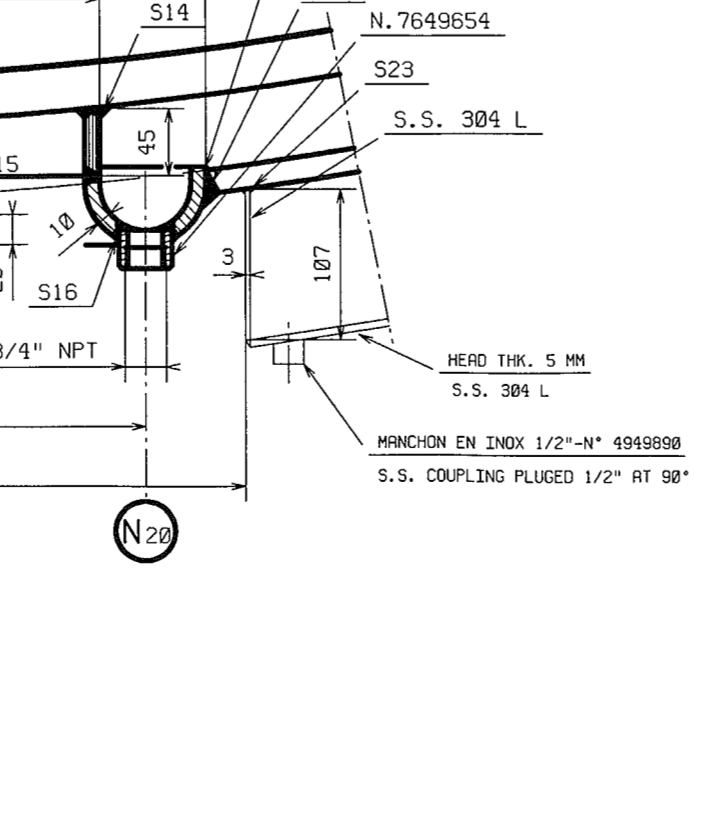
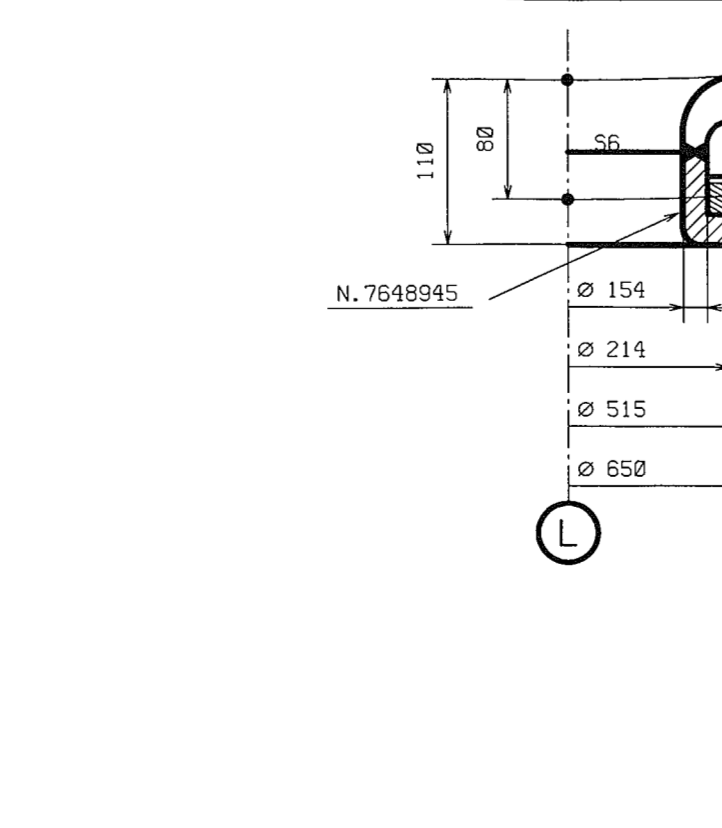
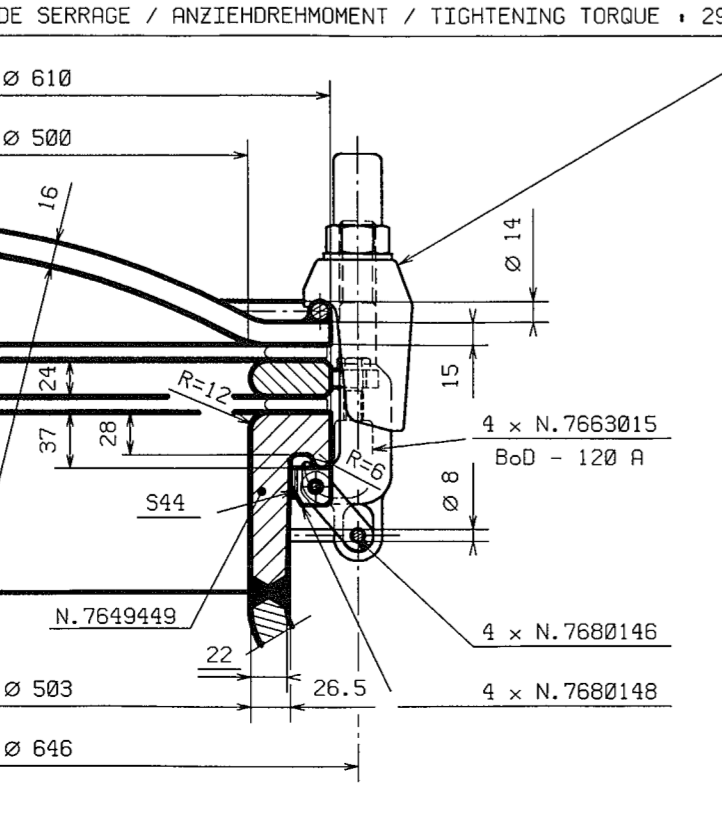
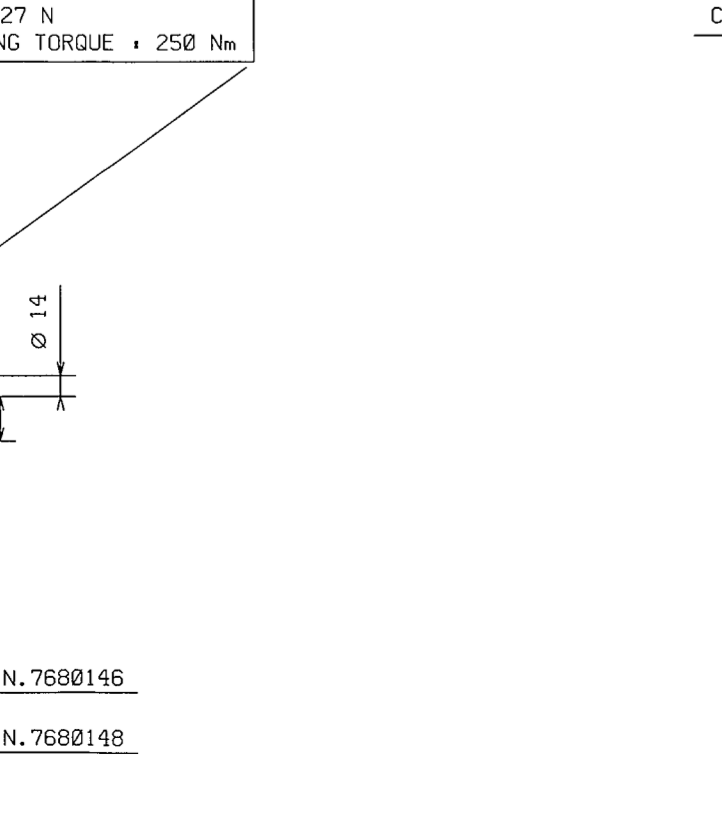
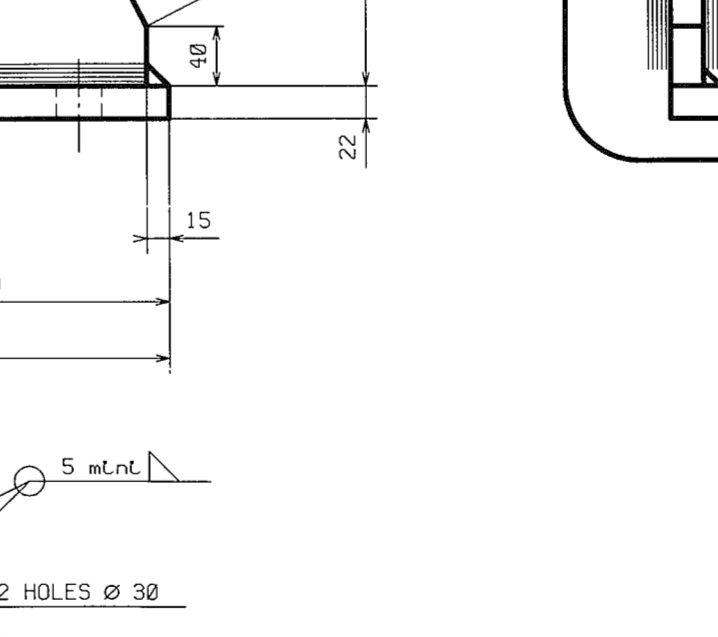
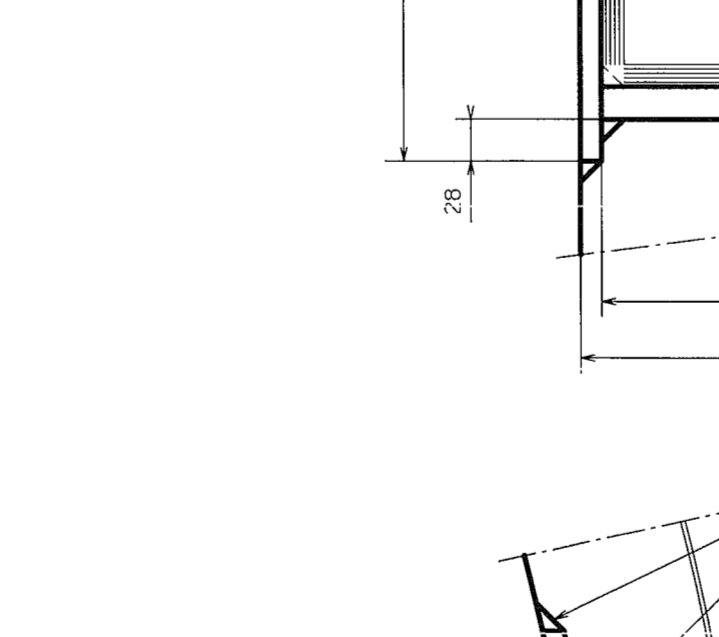
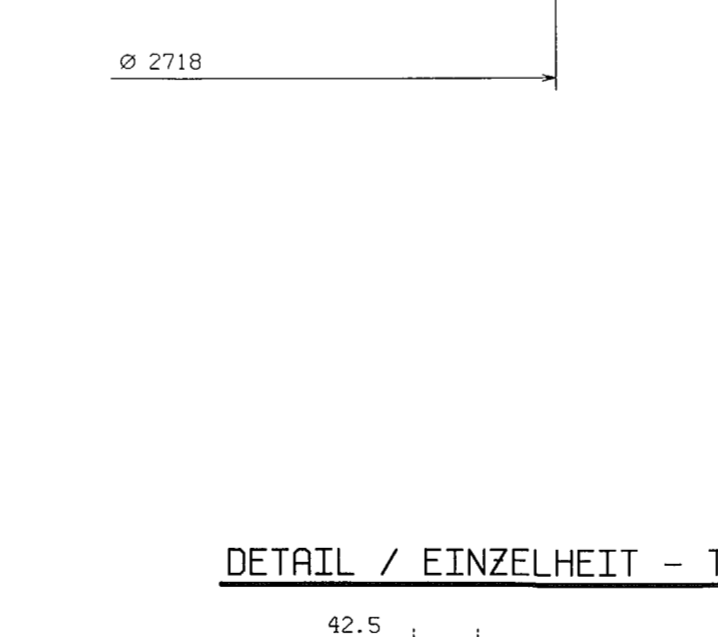
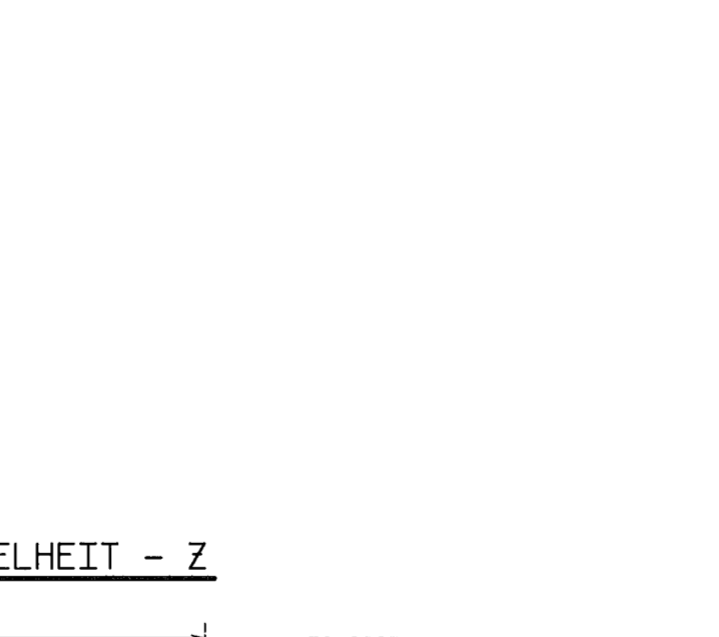
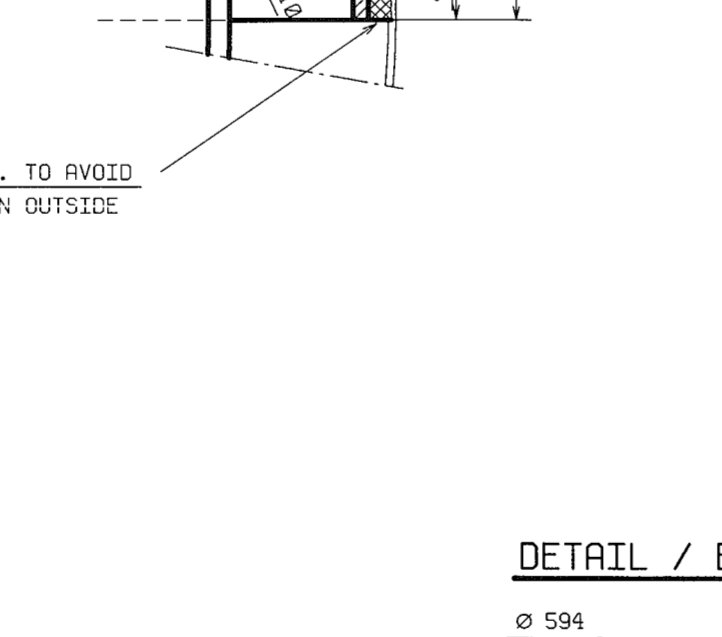
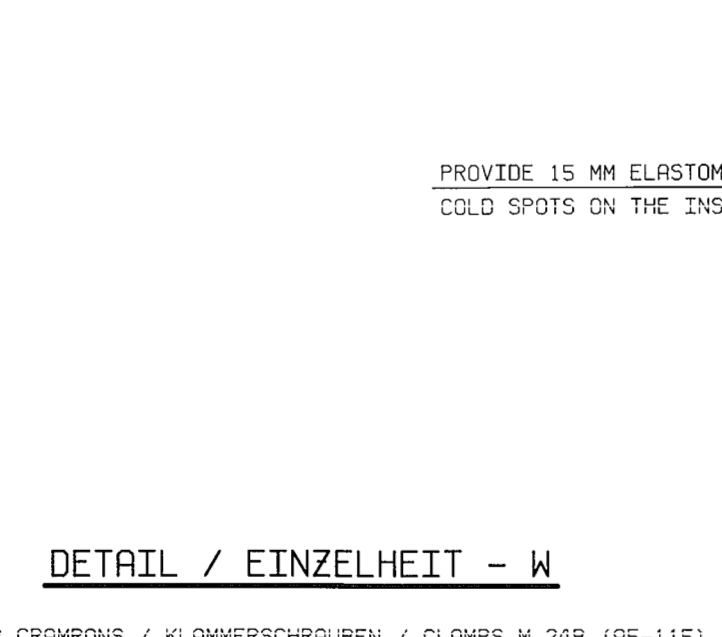
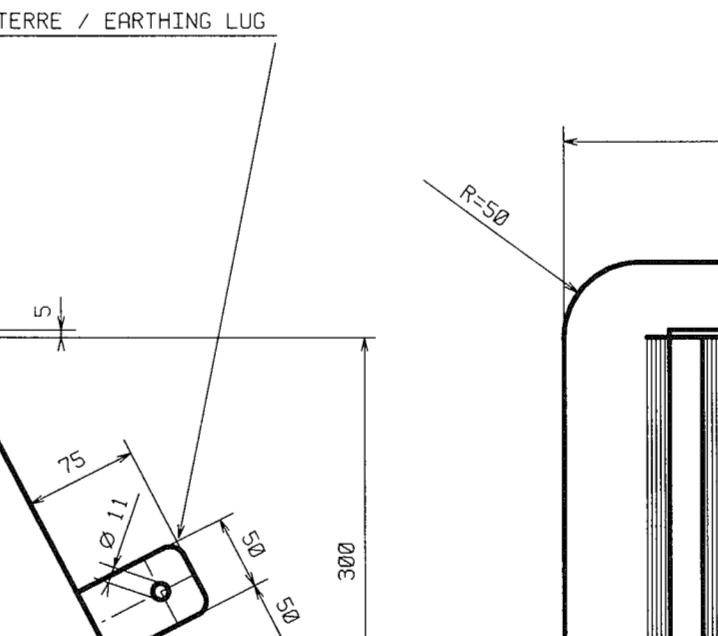
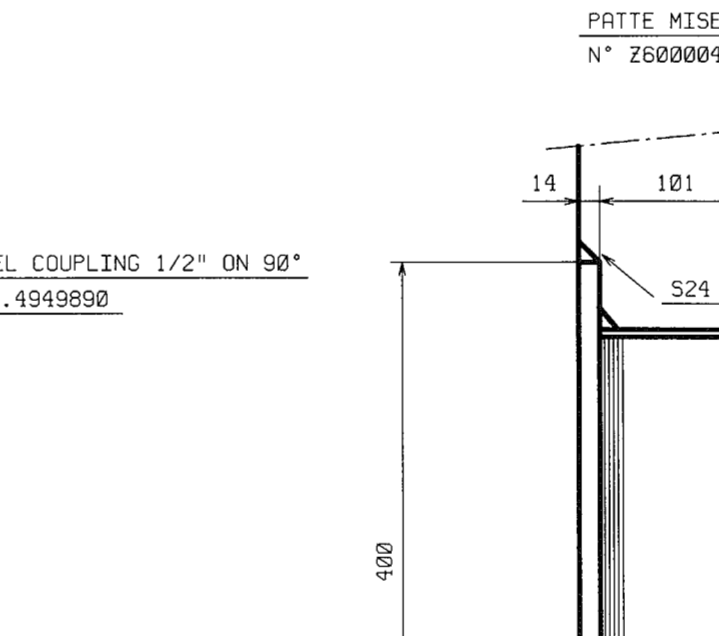
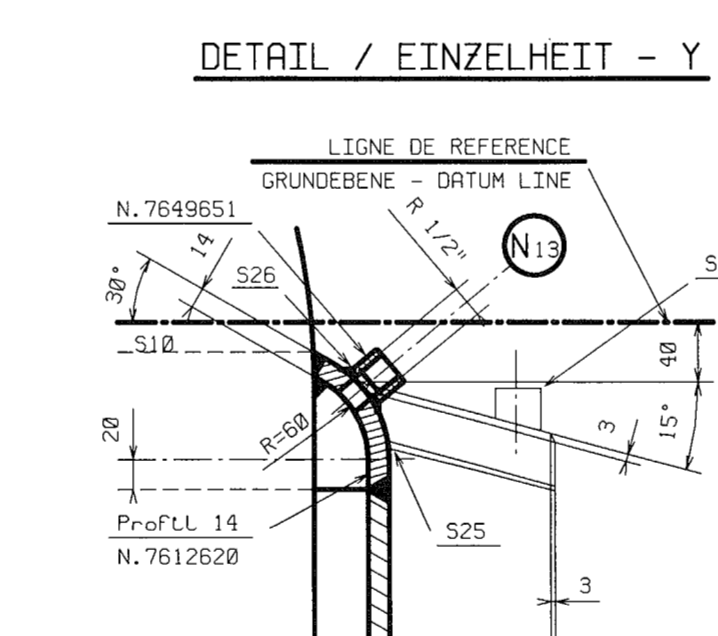
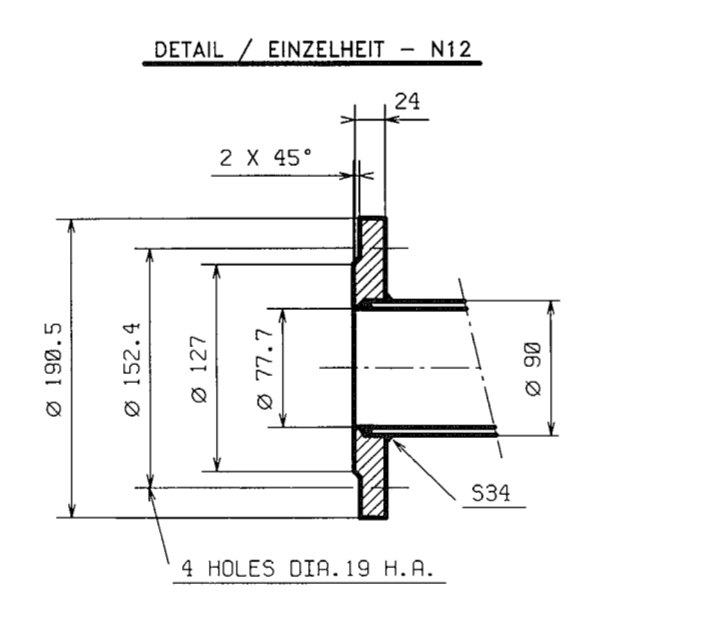
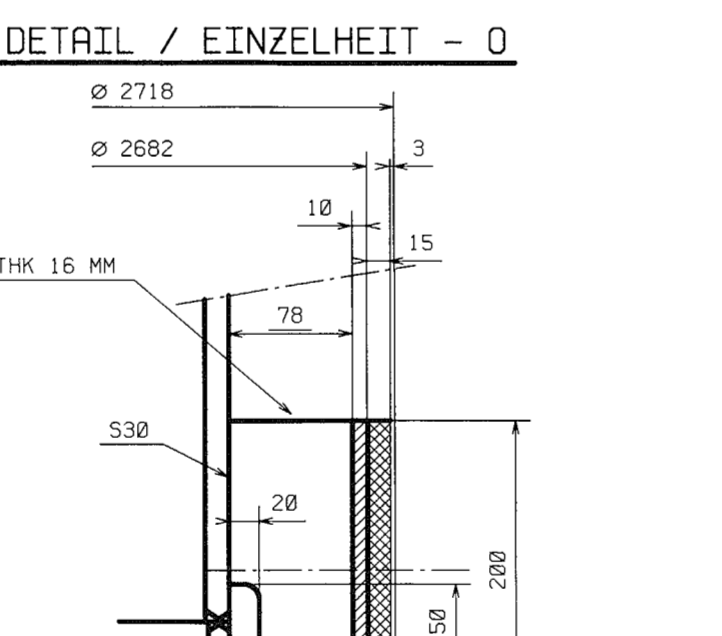
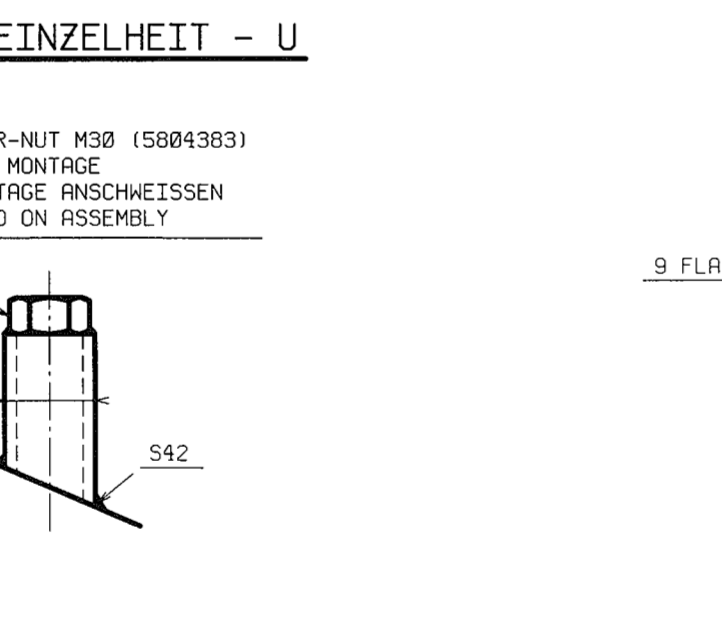
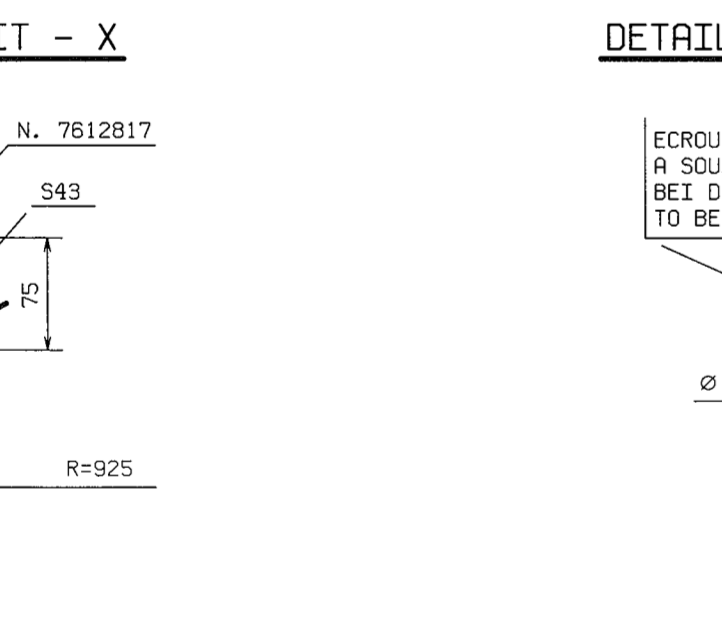
CLASSIFICATION: RECIPIENT FLUIDE: GAS/LIQUIDE/VAPEUR - GROUPE 1 CATEGORIE IV
 CLASSIFICATION: VESSEL FLUIDE: GAS/LIQUIDE/VAPEUR - GROUPE 1 CATEGORIE IV

MODULE + G ORGANISME NOTIFIE / NOTIFIED BODY + BENANNTE STELLE + TÜV SÜD - N. 8036

VOLUME TOTAL / TOTAL CAPACITY / GESAMTINHALT: 14318 LTR. / 1251 LTR.

DESIGN CODE: RD 2000

CLASSIFICATION: RECIPIENT FLUIDE: GAS/LIQUIDE/VAPEUR - GROUPE 1 CATEGORIE IV
 CLASSIFICATION: VESSEL FLUIDE: GAS/LIQUIDE/VAPEUR - GROUPE 1 CATEGORIE IV



DATE	DESCRIPTION	APP. / SIGNATURE
07/09/16	CHANGE MATRIÈRE TUBULAIRE DE D. ENV. EN 3"	SCHNEIDER
07/09/16	CHANGE MATRIÈRE TUBULAIRE EN 3"	SCHNEIDER
07/09/16	CHANGE MATRIÈRE TUBULAIRE EN 3"	SCHNEIDER
07/09/16	CHANGE MATRIÈRE TUBULAIRE EN 3"	SCHNEIDER

REACTEUR RÜHRBEHALTER REACTOR

ROCHE IRLAND LIMITED

CE 12500 - 2400

PLAN N° / Dwg. No: EAS-2400-074

REV. B