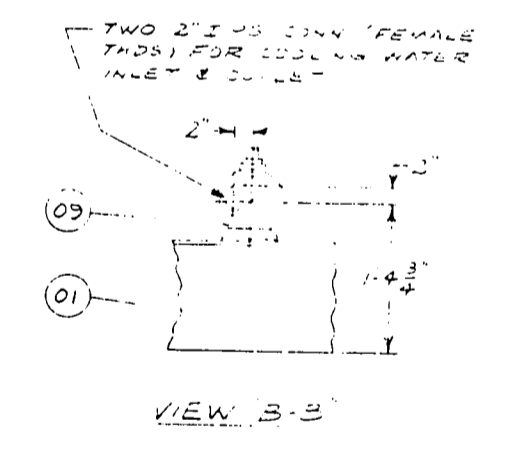
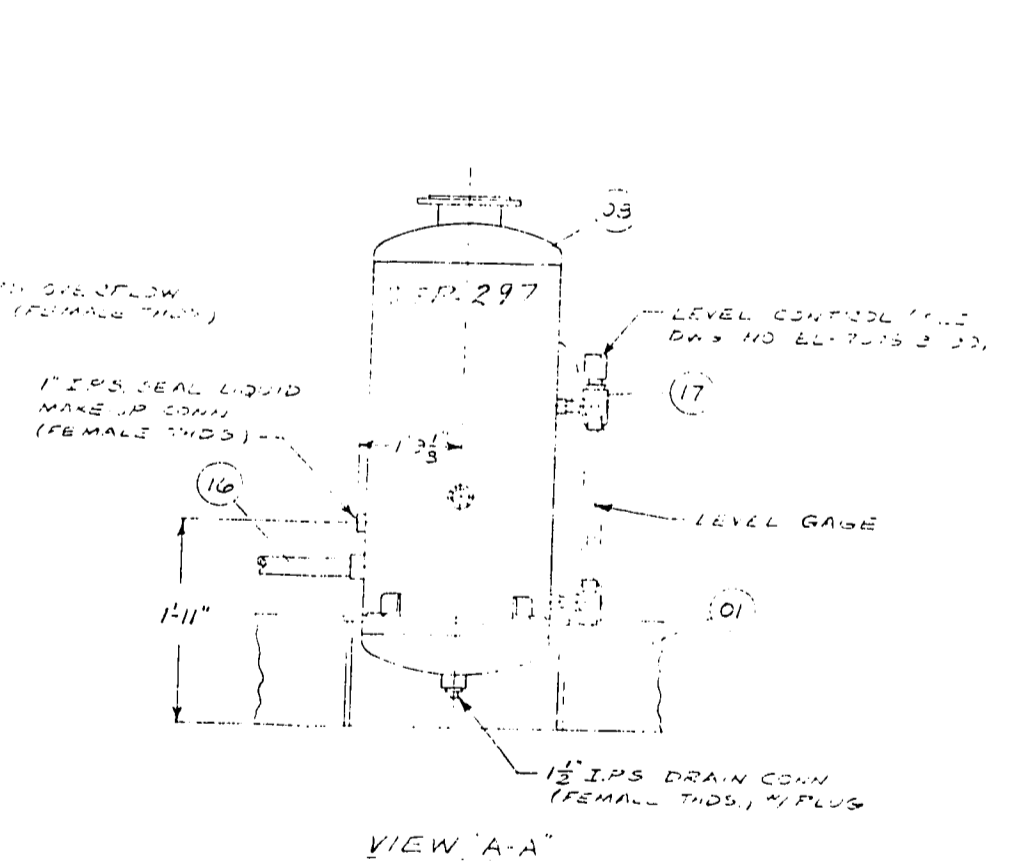
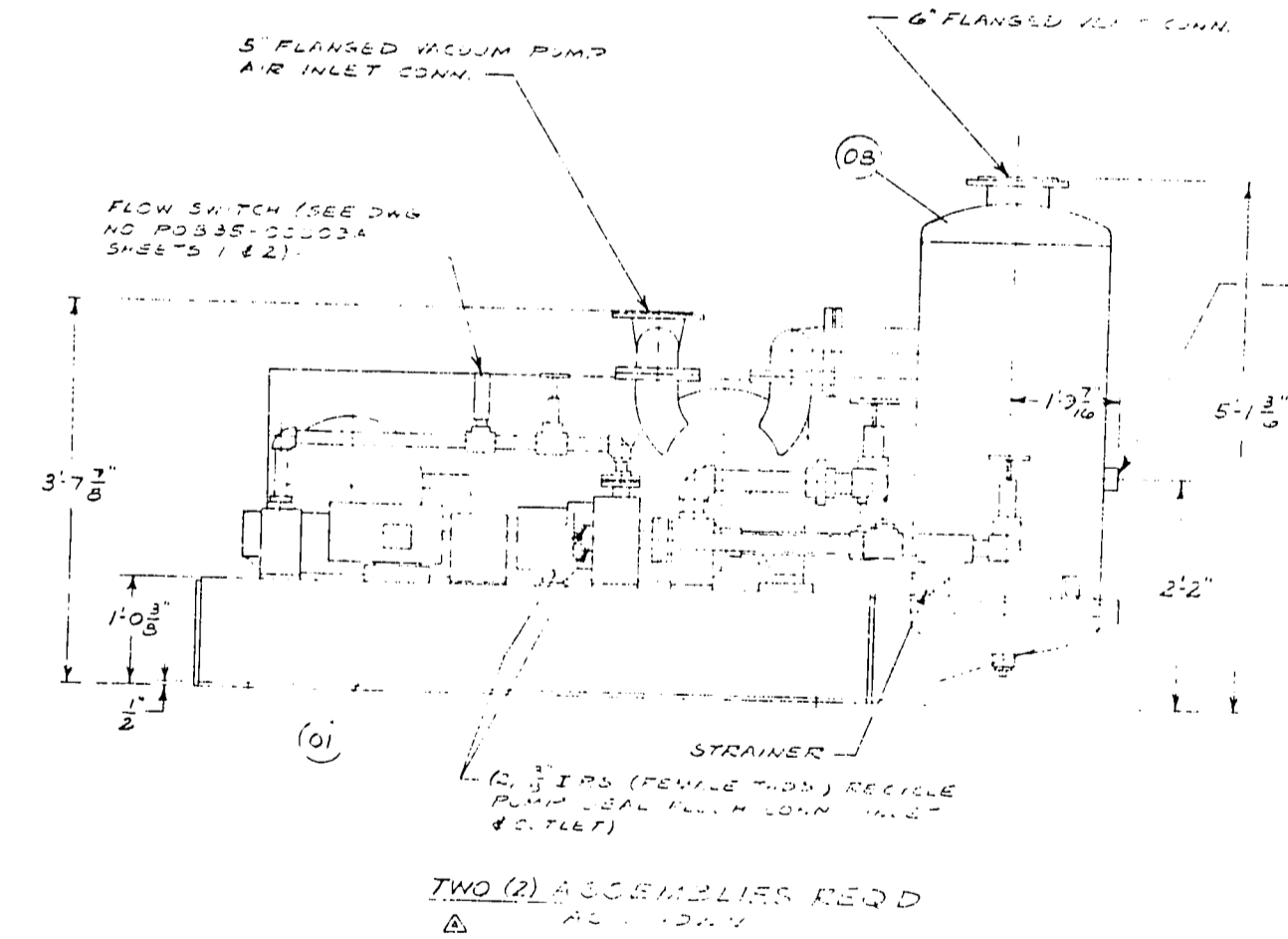


NO.	DESCRIPTION
1	...
2	...
3	...
4	...
5	...
6	...
7	...
8	...
9	...
10	...
11	...
12	...
13	...
14	...
15	...
16	...
17	...
18	...
19	...
20	...

- NOTES:
1. ALL FLANGED CONNECTIONS ARE 150 LB. STAINLESS STEEL
  2. ALL WELDS SHALL BE FULL PENETRATION WELDS
  3. UNIT MUST BE SET SO VACUUM PUMP IS LEVEL IN ALL DIRECTIONS
  4. [ ] DENOTES LEVEL TOLERANCE
  5. APPROX. 40 SHIP UP ASSEMBLY LENGTHS ASSUMED



TWO (2) ASSEMBLIES REQ'D

FOR APPROVAL

Note: Point may be required for...

INDICATE A...  
 HOFFMAN-LAROCHE INC.  
 BRUNNENBACH ISCO

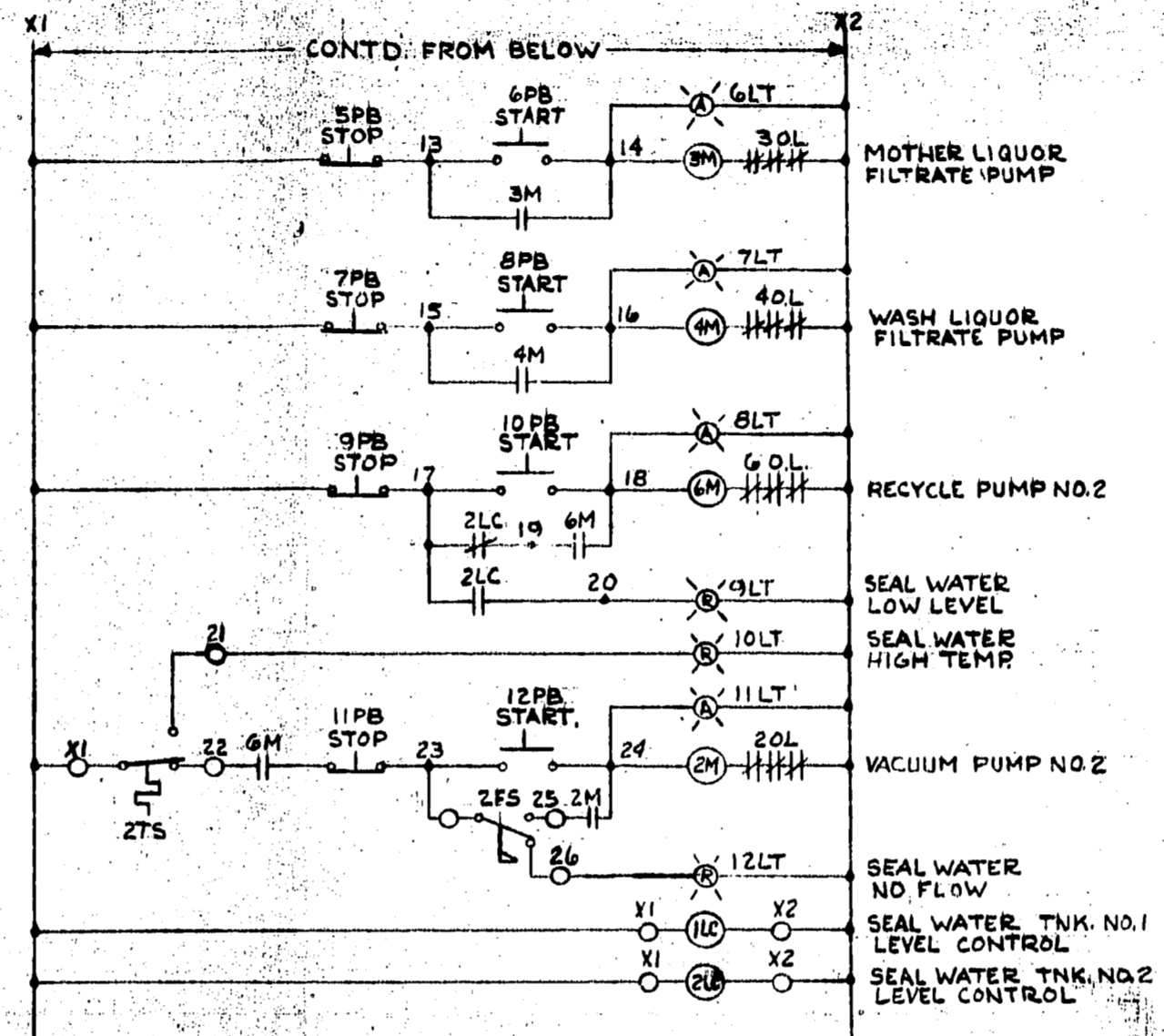
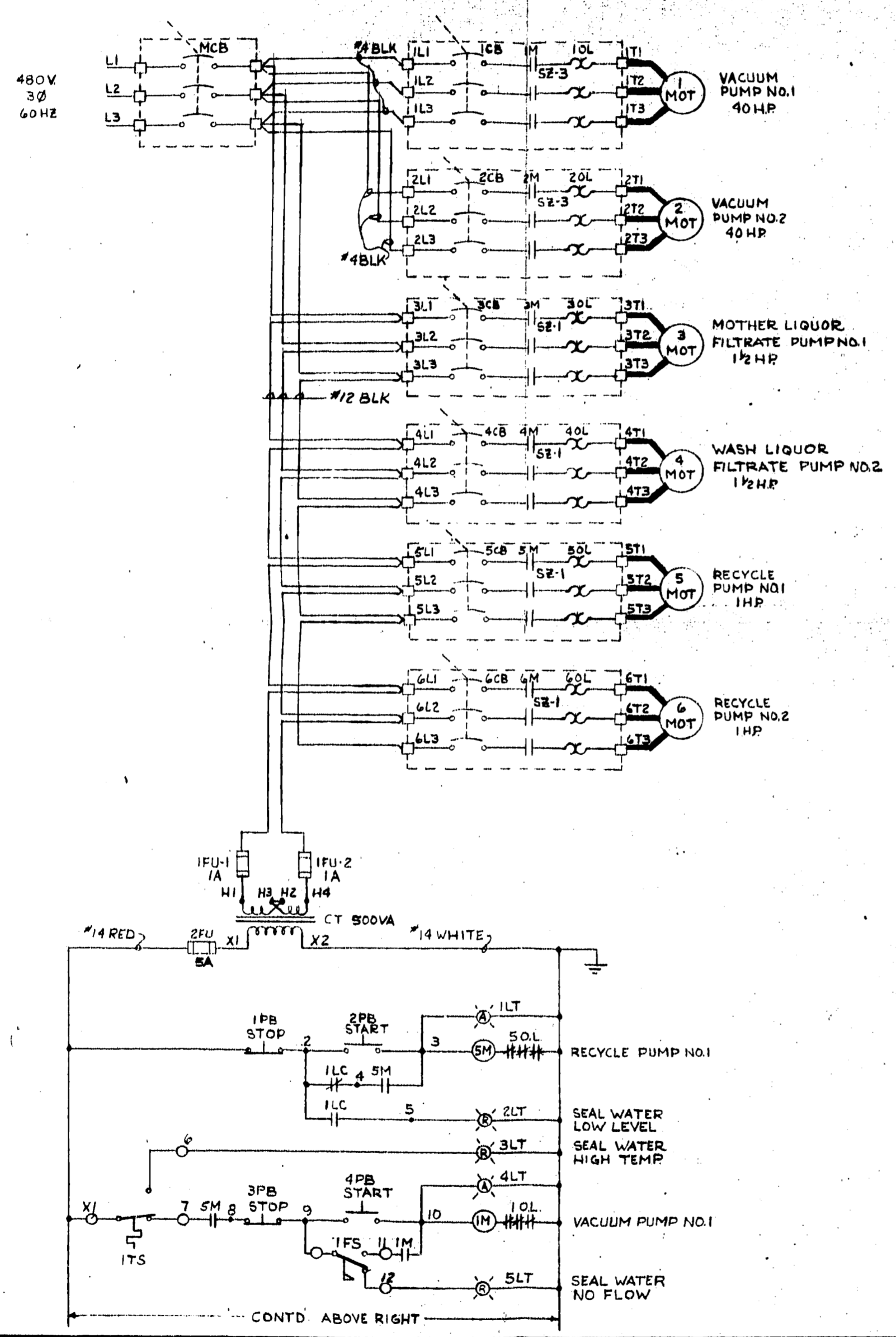
NO.	DATE	BY	DESCRIPTION
1			
2			
3			
4			
5			

DESIGNED BY	DATE	CHECKED BY	APPROVED BY
KOMLINE-SANDERSON		KOMLINE-SANDERSON	
ENGINEERING CORPORATION		PEAPACK, N. J.	

PGV-1165-1

0-100 11-10 100 100



FTV-351  
 PCB-795  
 PCB-796  
PGV-1165  
 PGV-1166  
 PCB-807  
 PCB-23001  
 EPB-2598

B3-6221  
 P. 5646745B

CONTROL PANEL SCHEMATIC				FINAL	
DESIGNED	DRAWN	CHECKED	APPROVED	REFERENCE	SHT.
11-10-28	RND	RJC	ESP	POB66-00045D	OF
KOMLINE-SANDERSON ENGINEERING CORPORATION PEAPACK, N. J.					

FTV-351

PCB-795

PCB-796

PGV-1165

PGV-1166

PCB-807

PCB-23001

EPG-2598

DR.	CHK.	DATE	APPR.
			<i>RJ</i>

THIS DRAWING REPRESENTS THE DESIGN AND ENGINEERING EFFORTS OF THE KOMLINE-SANDERSON ENGINEERING CORPORATION. IT IS LOANED IN CONFIDENCE AND MUST BE RETURNED ON DEMAND. ANY USE DETRIMENTAL TO THE INTERESTS OF THE KOMLINE-SANDERSON ENGINEERING CORPORATION IS PROHIBITED. IT MUST NOT BE LOANED, COPIED OR REPRODUCED WITHOUT PERMISSION.

CONTROL PANEL  
SCHEMATIC

**FINAL**

DESIGNED	DRAWN <i>KMP</i>	CHECKED <i>RJC</i>	APPROVED <i>RJ</i>
----------	---------------------	-----------------------	-----------------------

10-78  
E  
*R*

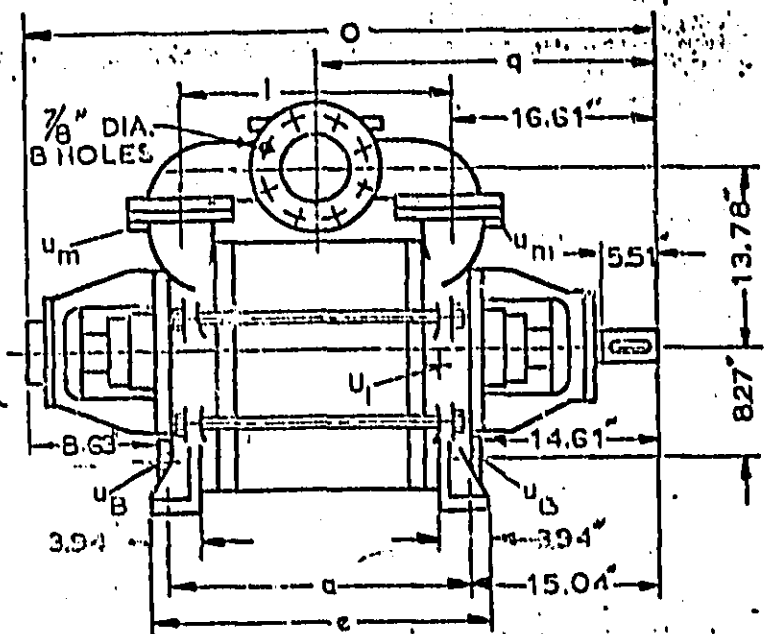
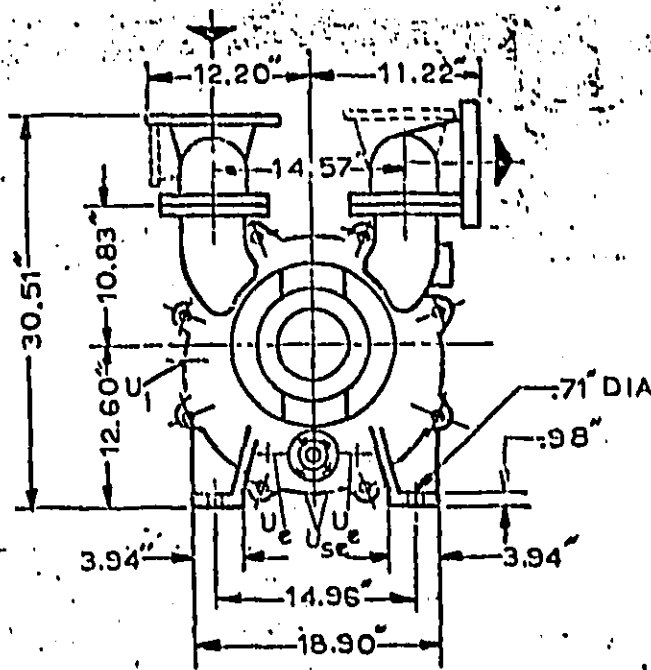
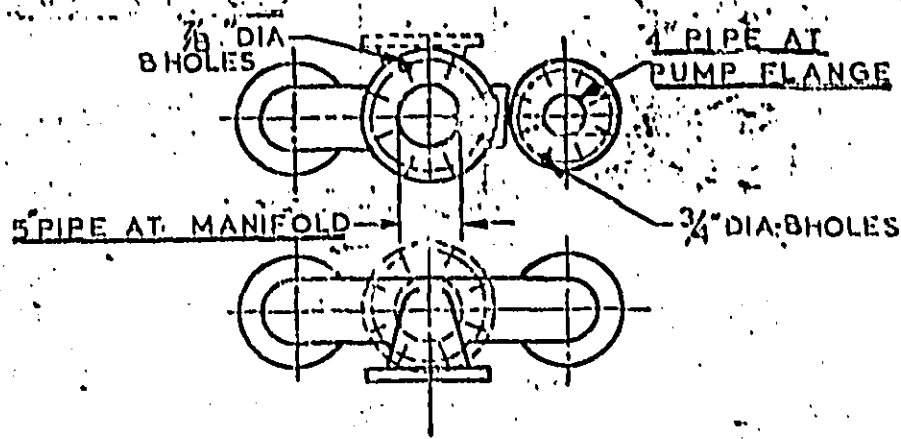
**KOMLINE-SANDERSON**  
ENGINEERING CORPORATION  
PEAPACK, N. J.

REFERENCE  
OWNERS

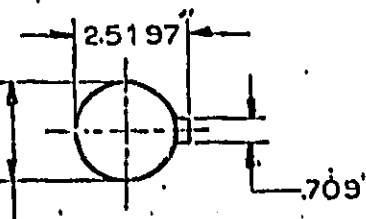
**PO866-00045D**

SHT.
OF

FLANGES TO ASA 150<sup>RF</sup> Std.



- U<sub>B</sub> - SERVICE LIQUID CONNECTION - 2" PIPE
- U<sub>e</sub> - DRAIN PLUGS - 1/4" PIPE
- U<sub>1</sub> - AIR COCK - 1/2" PIPE
- U<sub>m</sub> - MANOMETER CONNECTION  
+0.0012  
+0.0005  
- 3/8" PIPE 2.3622
- U<sub>sc</sub> CLEAN OUT 3/4" PIPE



MANIFOLD FLANGE ARRANGEMENT		
	SUCTION	DISCHARGE
STANDARD	TOP	SIDE
SPECIAL TO BE SPECIFIED ON ORDER	TOP SIDE SIDE	TOP SIDE? TOP

**CERTIFIED PRINT**

LPH: 70530 BN	041 02	051 42	0	22.44	25.59	19.29	46.65	26.26
[REDACTED]								
PUMP	a	e	i	o	q			

PGV-7765

REPLACES GO4979

SIEMEN & HINSCHE  
**SIHI PUMPS**

DRAWN: A.MC D. DATE: 30.7.73  
REV: 38-73, 101-73, 109-73, 79-74, 158-76

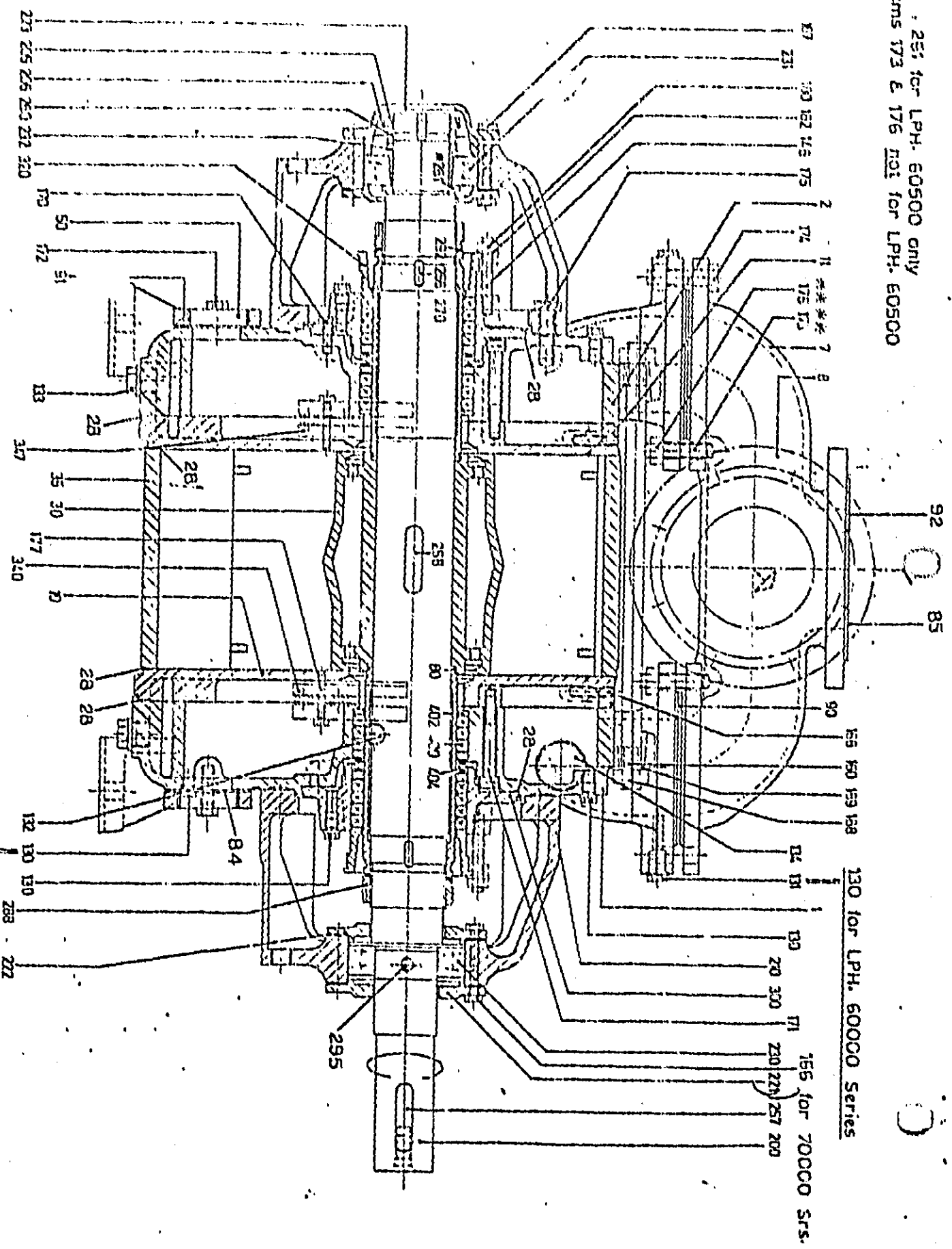
DRAWING NO. **GO 4979**

\* 1. 251 for LPH. 60500 only  
 \* Items 173 & 176 not for LPH. 60500

SIHI PUMPS

PGV-1168

DRAWING ELH DATE: 16 Dec 76 DRAWING NO. 11-90014-4-01



FOR CONSTRUCTION EO:  
 SHAFT AT LEFT END AND  
 BEARINGS CHANGED END TO  
 END.

LPH. 60520 70530 BN. 041-06  
 60527 70540 42  
 133 for LPH. 60520 only

130 for LPH. 60000 Series

155 for 70000 SRS.

PG V-1165

PG V-1166

PCB-807

PCB-23001

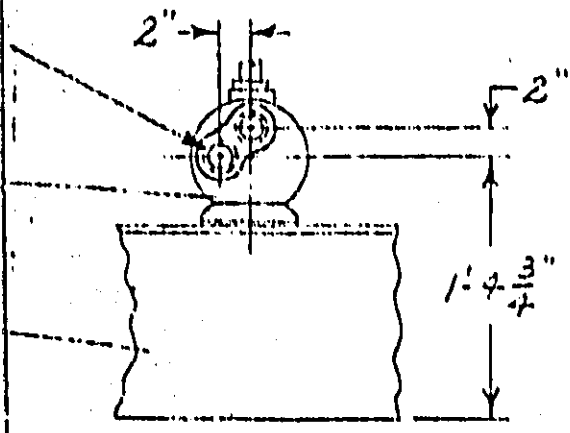
SEP-297

SEP-23000

HEX-3704

HEX-23001

TWO 2" I.P.S. CONN. (FEMALE  
THDS.) FOR COOLING WATER  
INLET & OUTLET



VIEW "B-B"

**FINAL**

REV	DATE	BY	APP	DESCRIPTION
				WAS ONE ASSEMBLY REQ'D, ADDED TEMP SWITCH
<small>THIS DRAWING REPRESENTS THE DESIGN AND ENGINEERING EFFORTS OF THE KOMLINE-SANDERSON ENGINEERING CORPORATION. IT IS LOANED IN CONFIDENCE AND MUST BE RETURNED ON DEMAND. ANY USE DETRIMENTAL TO THE INTERESTS OF THE KOMLINE-SANDERSON ENGINEERING CORPORATION IS PROHIBITED. IT MUST NOT BE LOANED, COPIED OR REPRODUCED WITHOUT PERMISSION.</small>				

SEAL WATER RECYCLE ASSEMBLY  
VACUUM PUMP

JOB NO. I-866

DESIGNED	DRAWN	CHECKED	APPROVED
	RJM	RJM	R&P

7-77  
1:0"

**KOMLINE-SANDERSON**  
ENGINEERING CORPORATION  
PEAPACK, N. J.

REFERENCE DWG. NO.	SHT.
PO835-00000DA	DP