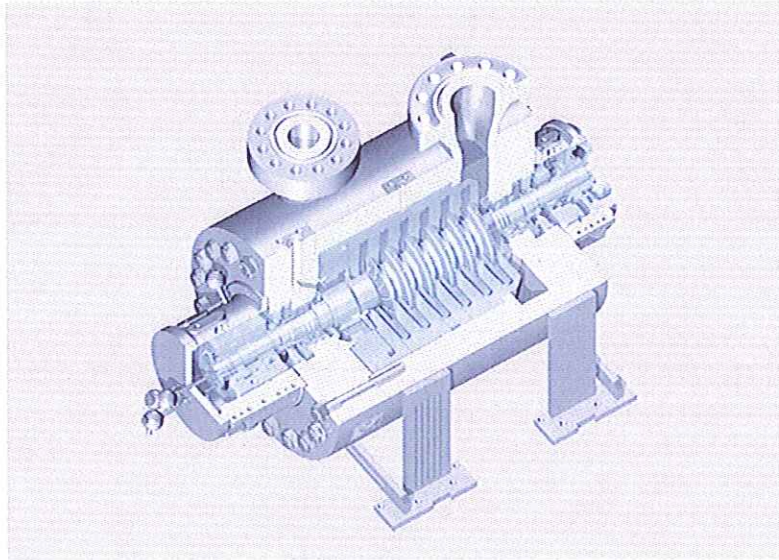


SIEMENS

Compressor

Technical Description

Type of Machine:	STC-SV
Siemens Order No.:	DU282408500
Codeword:	ATP-CHEVIOT HP
Machine No.:	100630
Siemens Document No.:	33449516



VD_33449516_EN_TB_a

1.2 Characteristic Data

Machine materials

Component	Material
Casing / nozzles	P355N / G17Mn5
Casing cover	P355QH1
Shaft	42CrMo4
Impellers	X5CrNiCuNb16-4 / 14CrMoV6-9
Balance piston	X5CrNiCuNb16-4
Thrust bearing collar	30CrNiMo8
Inner casing	S355J2G3
Diaphragm assemblies	S355J2G+N
Seal inserts	AlMg4.5Mn0.7 / X20Cr13
Bearing pedestals	GE200

Bearing materials

Component	Material
Journal bearing	
Bearing ring	42CrMo / RSt42-1
Oil baffle rings	AlMg4.5Mn0.7
Journal bearing pads	42CrMo4 / 16MnCr5
Journal bearing pad lining	SuSb8Cu4 / PbSn6Cd
Thrust bearing	
Bearing ring	42CrMo4 / RSt42-1
Thrust bearing pads	42CrMo4 / 16MnCr5
Thrust bearing pad lining	SuSb8Cu4 / PbSn6Cd

Component weights

Component	Weight [kg]
Compressor, complete	6900
Casing	3320
Casing cover (DE)	N/A
Casing cover (NDE)	839
Rotor	226
Inner casing with rotor	1600