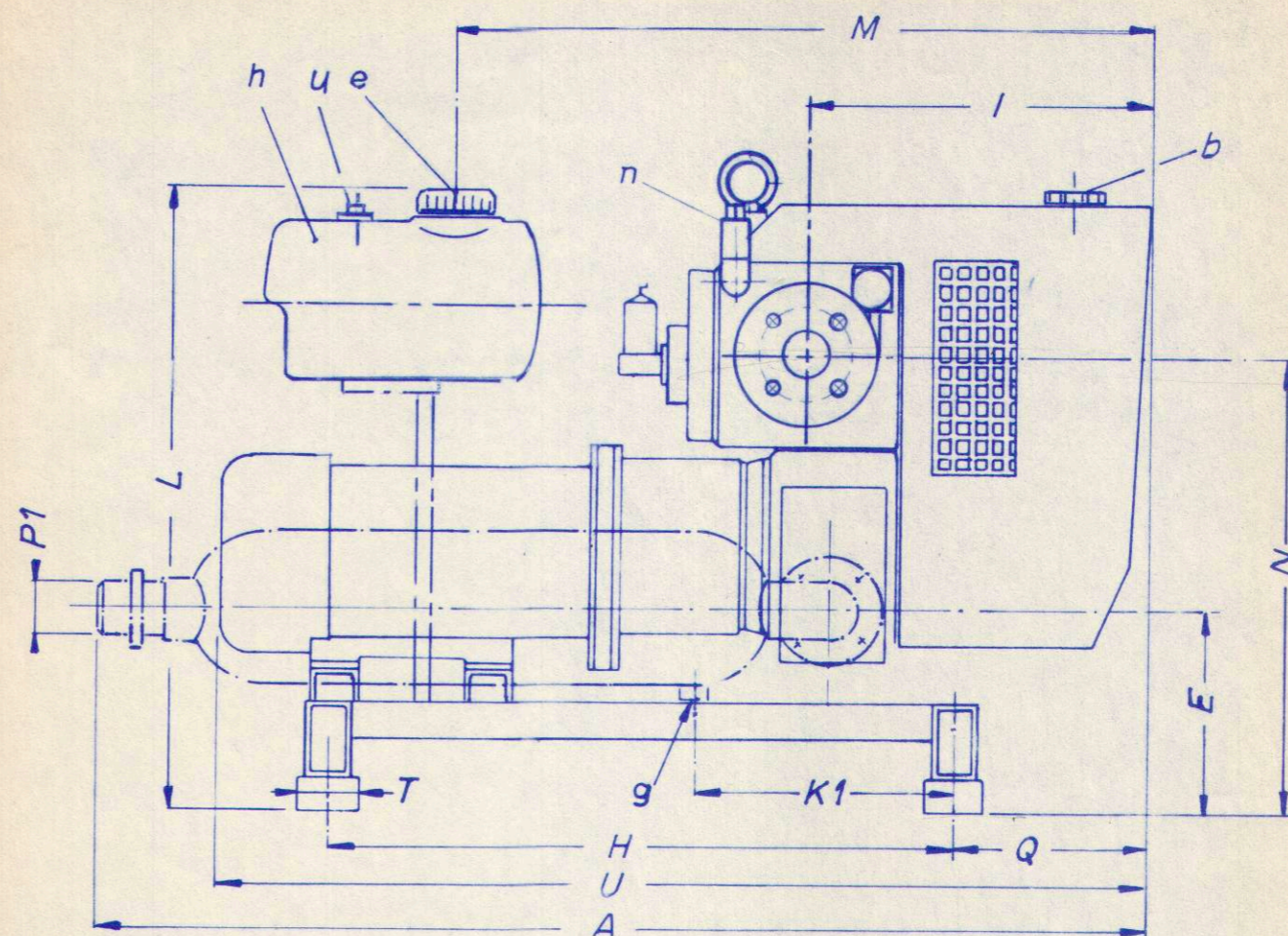
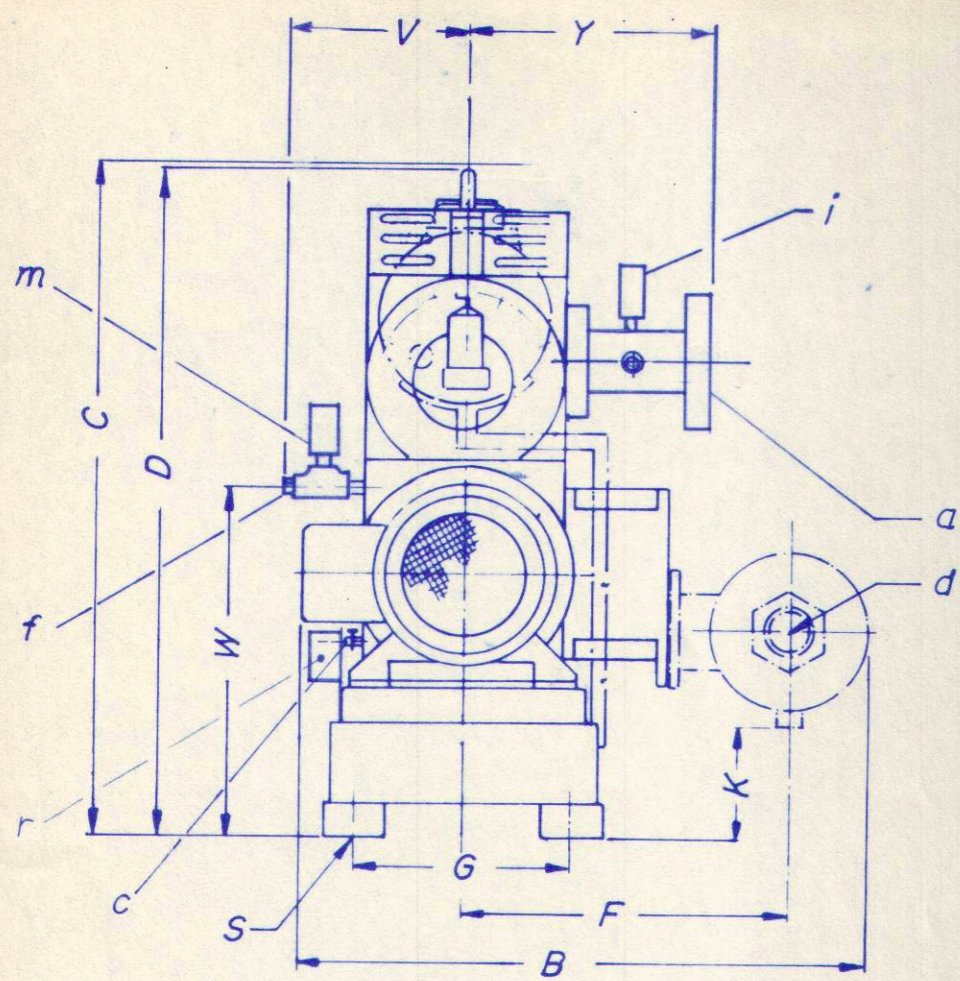
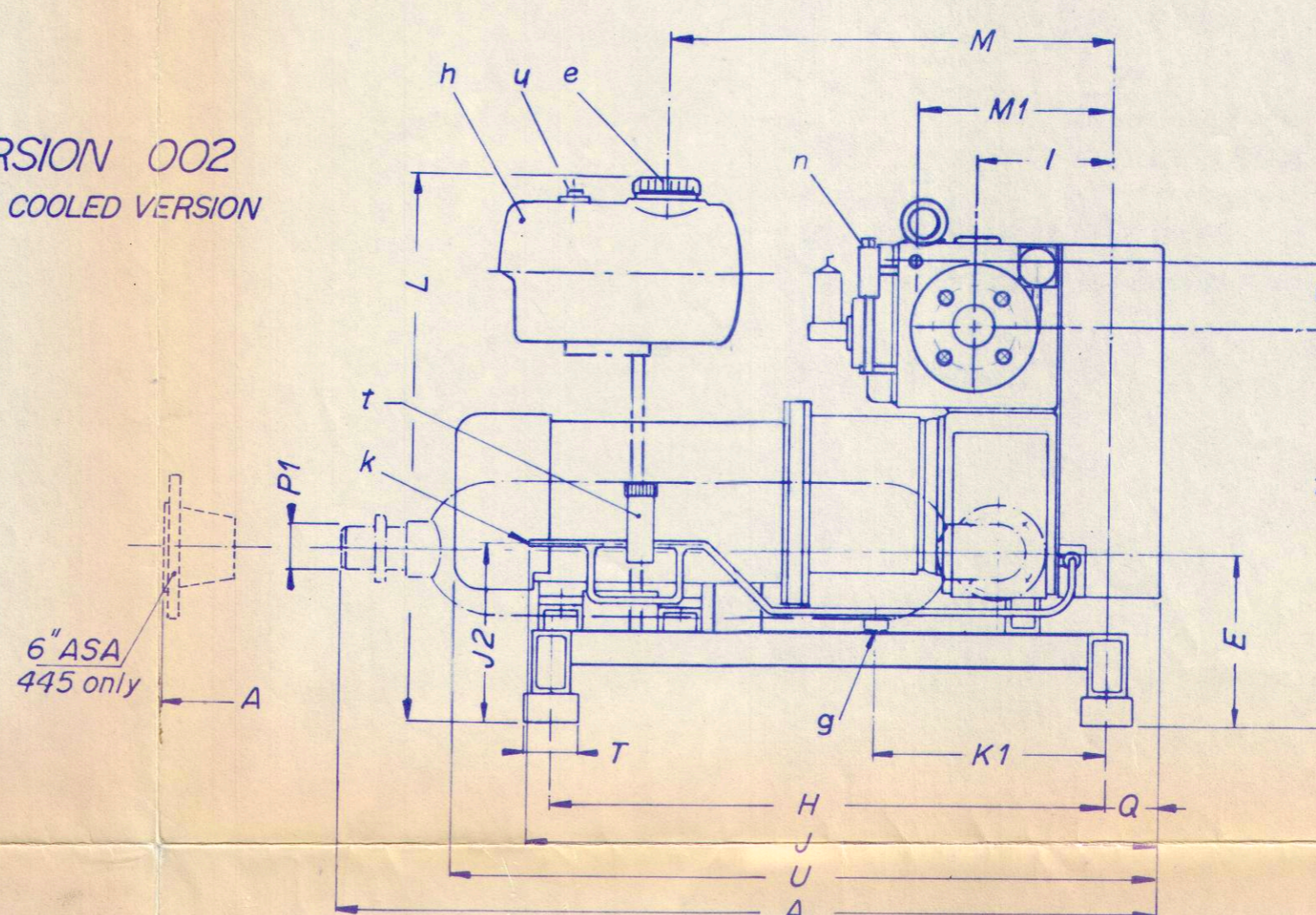
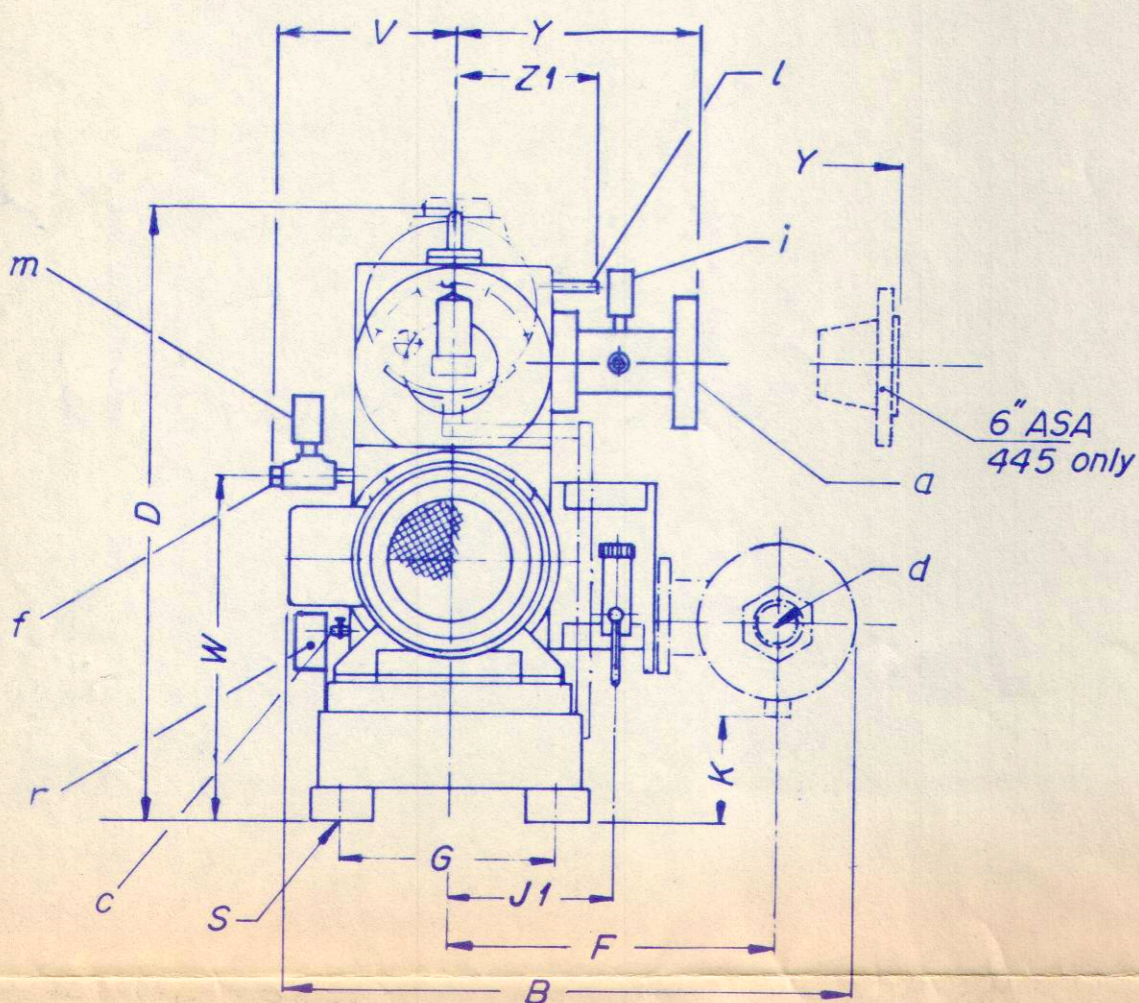


VERSION 014
AIR COOLED VERSION



VERSION 002
WATER COOLED VERSION



- a INLET
- b WATER FILL CAP
- c COOLING WATER DRAIN VALVE
- d EXHAUST
- e OIL FILL CAP
- f 2nd SUCTION CONN. (3/4" N.P.T. (445: 1 1/4"))
- g OIL DRAIN PLUG 1/2 N.P.T.
- h OIL RESERVOIR
- i INLET PRESSURE SWITCH
- k COOLING WATER INLET (1/2 HOSE (3/4 FOR 445))
- l COOLING WATER OUTLET (SAME)
- m INTERSTAGE PRESSURE SWITCH
- n WATER LEVEL SWITCH
- r EXHAUST TEMPERATURE SWITCH
- t WATER CONTROL VALVE
- u OIL LEVEL SWITCH

Z1	Z1* for 445	-	4 1/2	-	5	-	7	-	9 7/8	-	11
Z	Z* for 445	-	6 1/2	-	4 1/8	-	9 1/8	-	6 5/8	-	5
Y		10 1/2	10 1/2	11	11	12 1/2	12 1/2	14 1/2	14 1/2		16
W		16 7/16	16 7/16	18 1/8	18 1/8	22 7/16	22 7/16	22 11/16	22 5/8		29 1/2
V		6 1/16	6 9/16	9 1/8	9 1/8	8 3/16	8 3/16	10	13 1/8		13 3/8
U		46 1/16	39 7/8	50 3/16	43 3/8	54 3/4	45 5/8	64 1/2	53 1/4		60 9/16
T	Dia.	3	3	3	3	3	3	3	3		4
S	METRIC THREADED HOLE	M 12	M 12	M 12	M 12	M 12	M 12	M 12	M 12		M 16
Q		7 11/16	0	10 1/2	4 3/4	10 1/2	1 1/8	15 9/16	6 7/8		1 1/4
P, P1	NPT (For 445, Flange Conn. 150*)	2", 2"	2", 2"	2", 2"	2", 2"	3", 2"	3", 2"	3", 2"	3", 2"		6"ASA.
N		23 3/8	23 3/8	24 3/16	24 3/16	30 7/16	30 7/16	31 1/8	31 1/8		43 1/8
M1	M1* for 445	-	12 13/16	-	11 13/16	-	16 3/4	-	16 13/16		26 3/4
M		36	28 1/4	37	26 1/2	43	34 1/2	40	34 1/2		45 1/4
L		31 5/16	31 5/16	32 7/8	32 7/8	41 3/4	41 3/4	41	44 3/4		48
K1		15 15/16	15 15/16	14	14	16 1/4	16 1/4	14 3/8	14 3/8		27 3/4
K		5 3/8	5 3/8	6	6	7 13/16	7 13/16	8 1/4	8 1/4		8 5/16
J2		-	11 1/4	-	11 1/4	-	12 13/16	-	13 13/16		13 3/8
J1		-	8 11/16	-	9 1/16	-	10 3/4	-	12 5/8		14 9/16
J		-	36 7/16	-	37 5/8	-	44	-	53 1/8		51 1/4
I		15 15/16	8 1/4	18 3/8	7 7/8	22 1/16	11 1/2	25 3/16	9 5/8		17 5/8
H		32 5/16	32 5/16	33 1/16	33 1/16	38 13/16	38 13/16	42 15/16	42 15/16		52
G		10 5/8	10 5/8	11 7/16	11 7/16	14 3/4	14 3/4	18 1/2	18 1/2		21 11/16
F		16 3/16	16 3/16	16 11/16	16 11/16	18 3/16	18 3/16	20 1/8	20 1/8		25 7/8
E		10	10	10 5/8	10 1/2	12 7/16	12 7/16	12 7/8	12 3/4		14 13/16
D		28 15/16	28 15/16	34 7/8	31 15/16	43 1/2	39 5/8	45 1/8	41 1/2		57 1/4
C	C* for 445	35 3/8	35 3/8	38	31	45 1/8	45 1/8	46 1/4	39 1/2		65 1/2
B		27 7/16	27 7/16	31 7/16	31 7/16	32 15/16	32 15/16	38 1/16	38 1/16		46 7/16
A		55 5/8	49 7/16	56 1/2	50 1/4	58 13/16	49 11/16	61 15/16	52 5/16		61 1/2
WEIGHT APPROX.	lbs.	530	480	730	680	1270	1170	1800	1720		3400
MOTOR SPEED	R.P.M.	1800		1800		1800		1200			900
MOTOR SIZE	HP	10		15		20		25			40
ULTIMATE PRESSURE	TORR	0.5		0.5		0.5		0.5			0.5
FREE AIR DISPLACEMENT	C.F.M.	125		200		310		500			780
TYPE		014	002	014	002	014	002	014	002		002
		429		433		437		441			445

- ALL DIMENSIONS ARE IN INCHES UNLESS OTHERWISE NOTED.

BUSCH Busch, Inc. HB03

ROTARY VANE VACUUM PUMP

HUCKEPACK DIMENSIONAL OUTLINE

9.10.84.

N.T.S.

Ken Hein

C 1296C