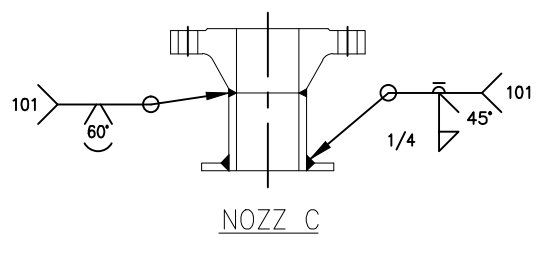
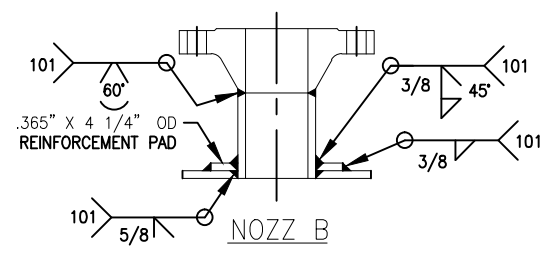
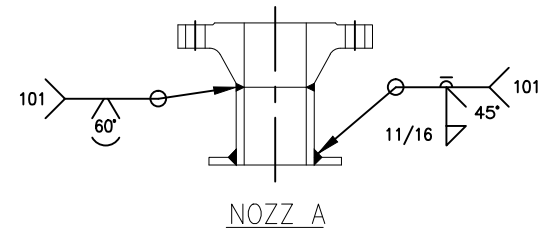
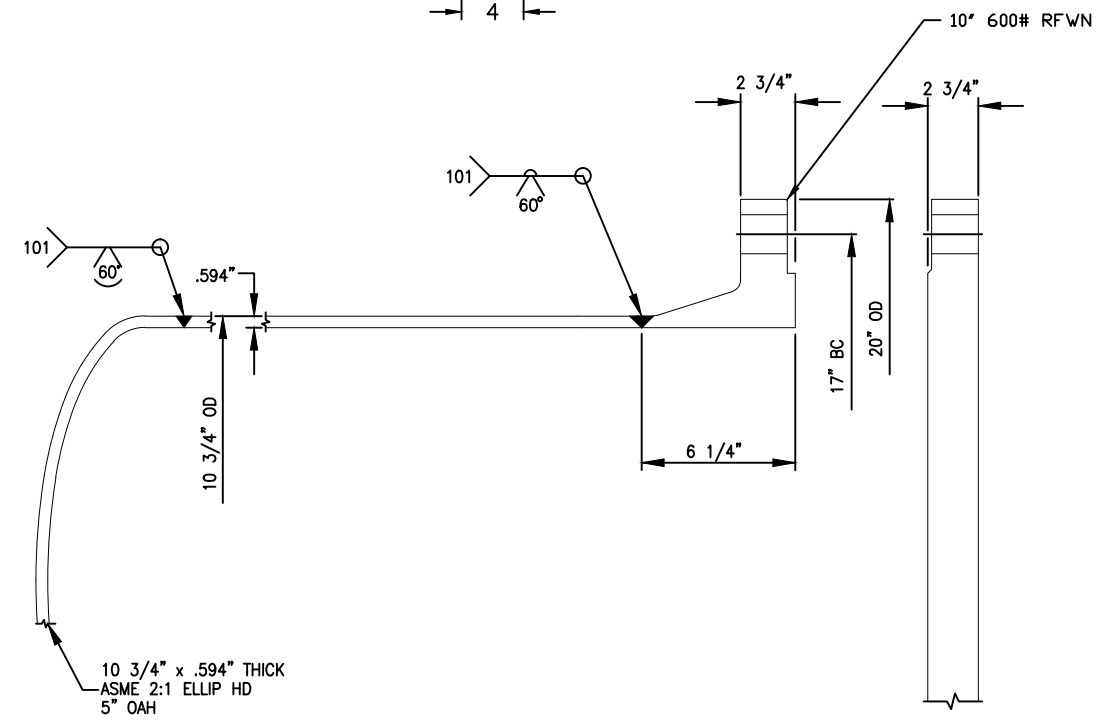
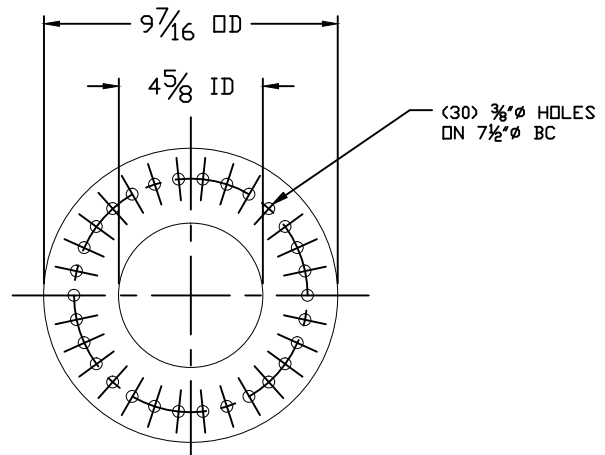
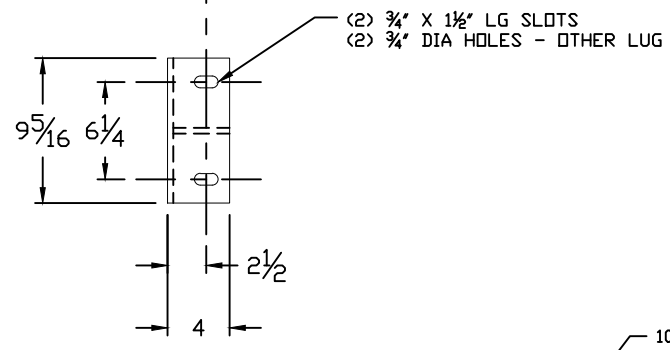
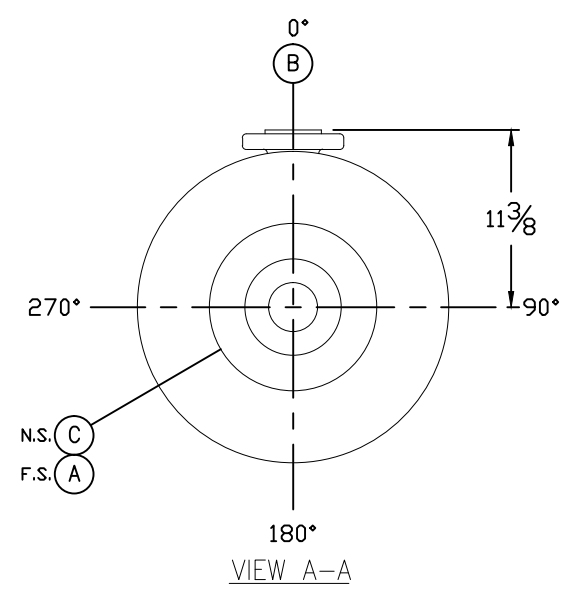
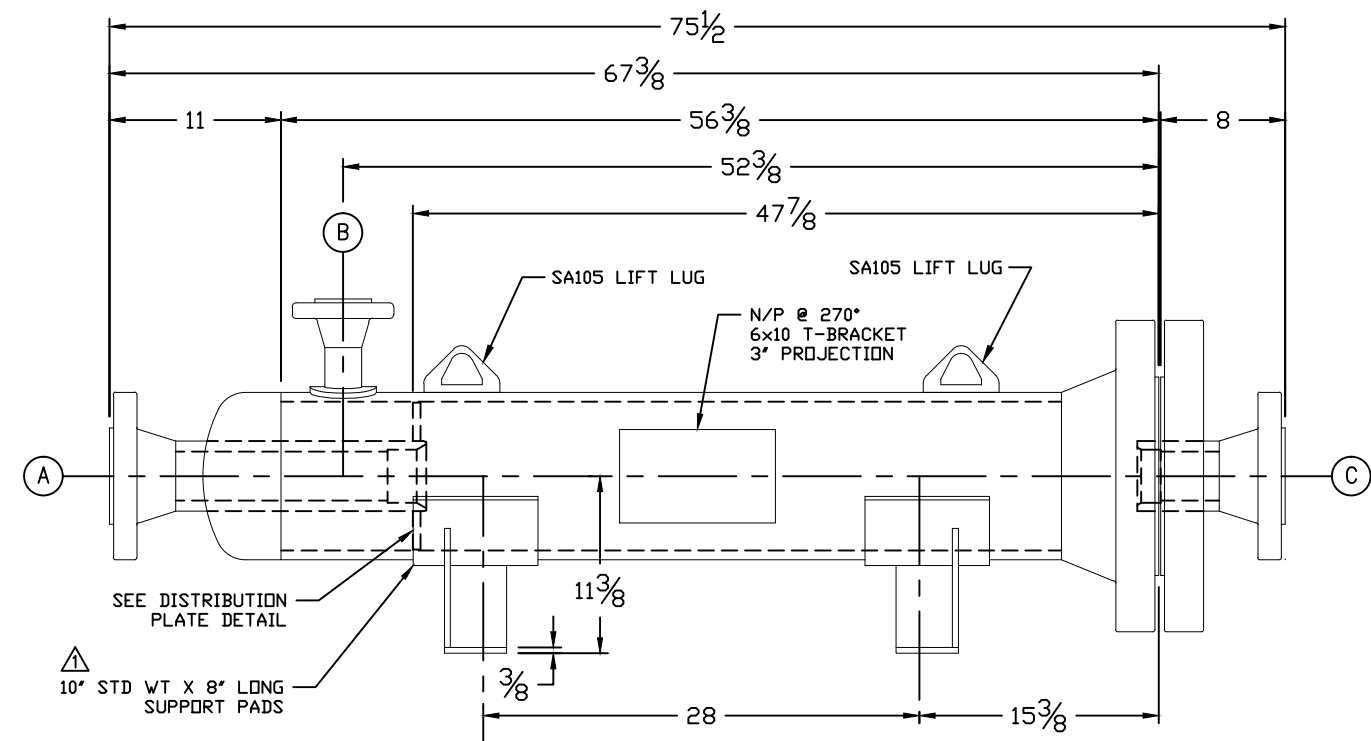


10. UNITS ARE TO BE PAINTED IN ACCORDANCE WITH UNITEL TECHNOLOGIES ENGINEERING SPECIFICATION ES-PC-1002 SYSTEM B.



1	CUSTOMER COMMENTS	GK2	12/20/13
NO.	REVISION	BY	DATE

- GENERAL NOTES**
- ALL DIMENSIONS ARE IN INCHES.
 - ALL BOLT HOLES STRADDLE BOTH NATURAL CENTERLINES.
 - ALL NOZZLES TO BE FLUSH WITH INSIDE CONTOUR OF SHELL & CHANNEL.
 - INSIDE EDGES OF TUBESHEET TUBE HOLES TO BE DEBURRED.
 - NUMBER OF UNITS REQUIRED: (ONE)
 - SHIPPING WT. 1035 LBS.
FLOODED WT. 1195 LBS.
BUNDLE WT. --- LBS.
 - ALL MACHINED GASKET SURFACES TO RECEIVE A 125-250 RA FINISH.
 - INTERNAL & EXTERNAL WELDS SHALL BE NEAT IN APPEARANCE, FREE OF SLAG, UNDERCUTS & OTHER DEFECTS. ALL HEAT TINT SHALL BE REMOVED.
 - PROTECT ALL FLANGE FACES WITH WOOD OR PLASTIC COVERS BEFORE SHIPMENT.

MATERIAL SPECIFICATIONS

SHELL SIDE	PART	TUBE SIDE
SA106B	SHELL & BONNET	
SA105	GIRTH FLANGES	
SA106B	NOZZLE NECKS	
SA105	NOZZLE FLANGES	
	COUPLINGS	
SA516-70 / SA-105	COVERS	
	TUBESHEET	
304 SS / GRAPHOIL	GASKETS 1/8" THK	
	BAFFLES	
	TUBES	
	TIE RODS & SPACERS	
SA193-B7 ZINC PLATED	BOLTS	
SA194-2H ZINC PLATED	NUTS	
C/STL	SUPPORTS	
	SUPPORT PADS	
	LINERS	

NOZZLE SCHEDULE

TAG	SIZE	QTY	SERVICE	TYPE	NECK	REMARK
A	4	1	PERMEATE	600# RFWN	XX-STG	
B	2	1	FEED	600# RFWN	SCH 160	
C	4	1	RESIDUE	600# RFWN	XX-STG	

DESIGN CONDITIONS

CODE: 2010 ASME SECTION VIII, DIV 1 (2011 ADDENDA) TEMA CLASS: ---
SQ. FT. OF OUTSIDE TUBE SURFACE ---

DESIGN & TEST	SHELL SIDE	TUBE SIDE
DESIGN PRESSURE	1200 PSIG	PSIG
DESIGN TEMPERATURE	-20 TO 250 °F	°F
TEST PRESSURE	1560 PSIG	PSIG
CORROSION ALLOW.	0.125 INCH	INCH
NO. OF PASSES	1	
STRESS RELIEVE	NONE	
RADIOGRAPH	FULL	

HETRICK MFG., INC.
NEW KENSINGTON, PA 15068 (724) 335-0455

TITLE: BPM10-50
SERVICE: HYDROGEN MEMBRANE

DRAWN BY: GK2 10/10/13 CUSTOMER: OBERON FUELS
CHECKED: C. KINNEY 10/11/13 CUST PO#: HET-16SEP13
APPROVED: G. KNOELLER 10/11/13 ITEM NO: M-2540
SHOP ORDER NUMBER: 913-4755D SCALE: NTS DRAWING NUMBER: B-6247 REV: 1

8

FOR APPROVAL
CERTIFIED DWG